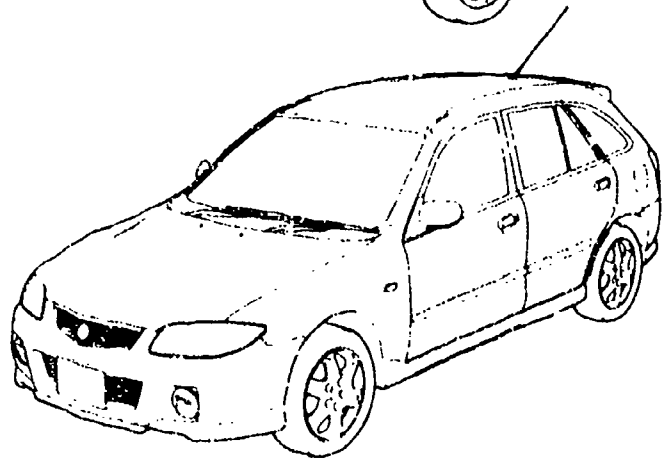
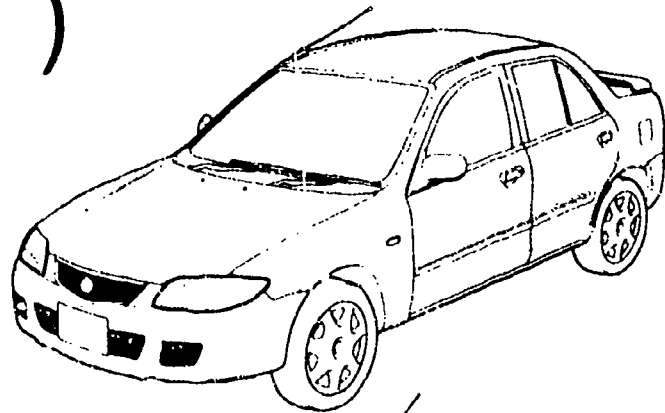


Parts Catalog

Mazda PROTEGE & PROTEGE 5

U.S.A. & Canada
('01 ▶)



BJ22*-400001-

Jul. '01 (REVISED)

Catalog No. AU-BA09-02

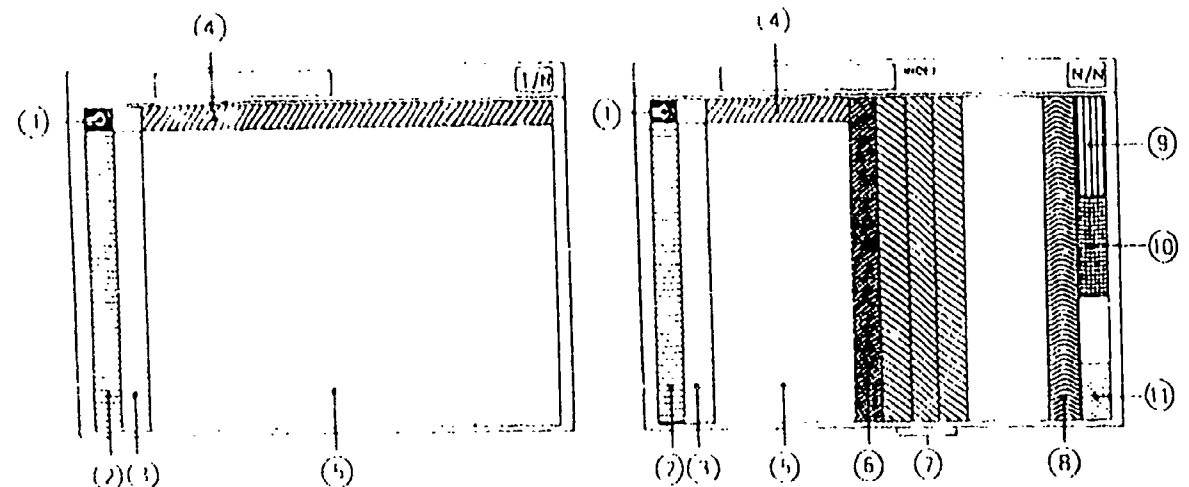


mazda

© 2001 Mazda Motor Corporation

LAYOUT OF CONTENTS / DISPOSITION TYPOGRAPHIQUE DE CONTENU / DISPOSICION DEL CONTENIDO / ANORDNUNG DES INHALTS


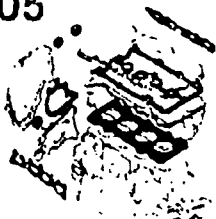
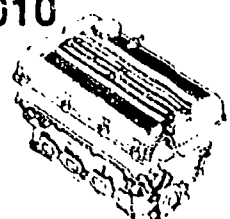
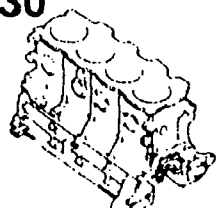

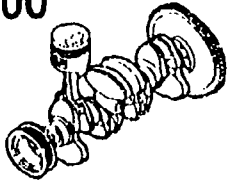
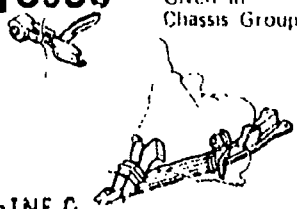
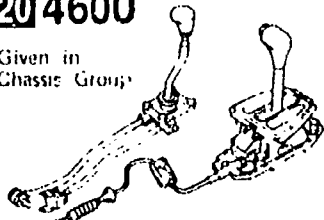
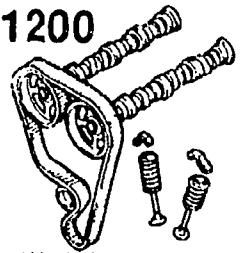
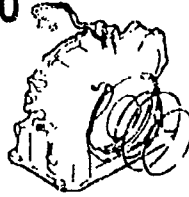
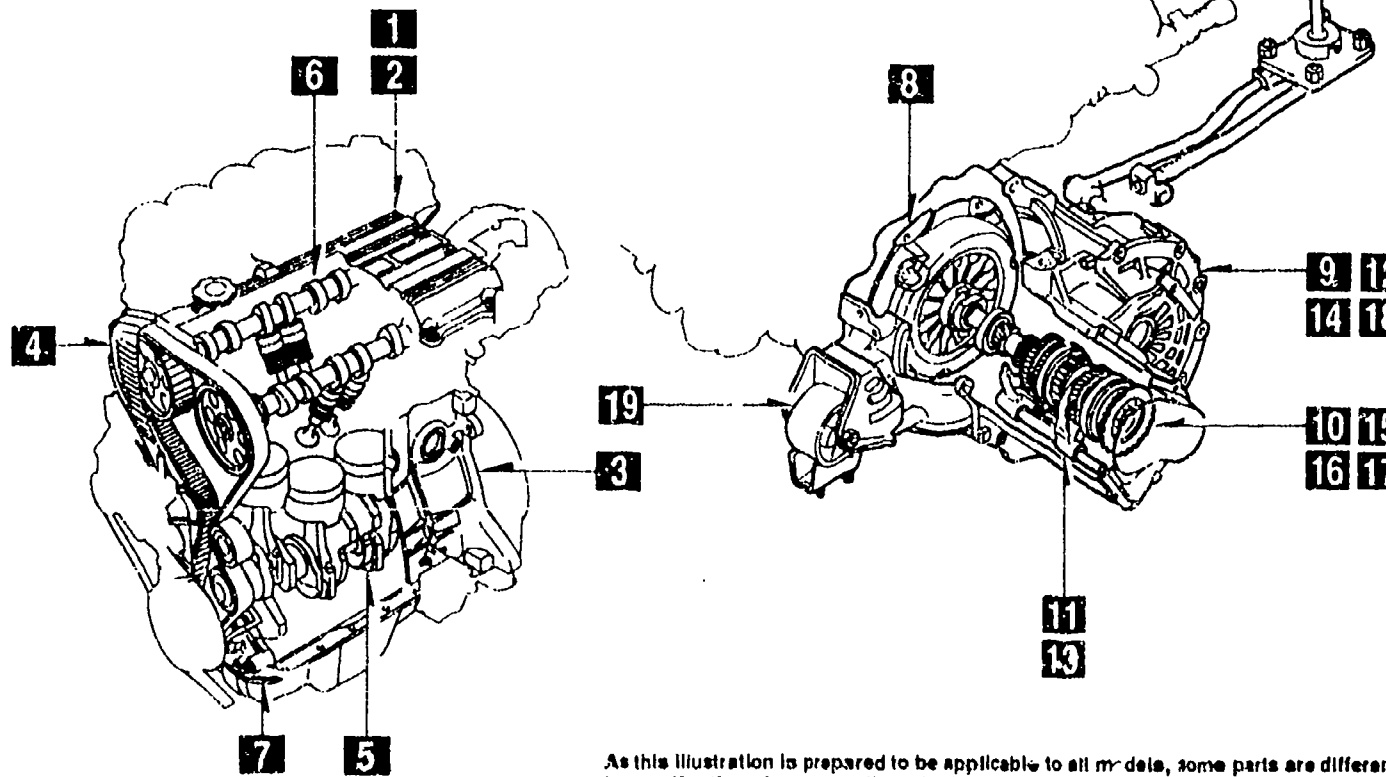

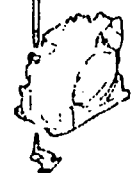

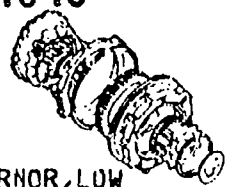
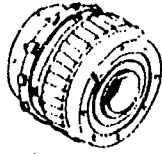
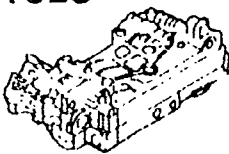
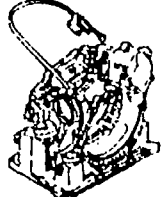

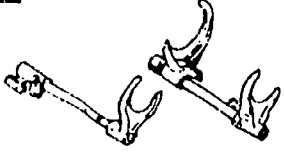
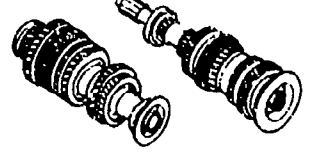
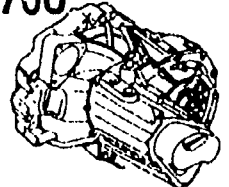
- The following is a typical example of the layout of contents on Mazda microfiche parts catalog
- Voici un exemple typique de la disposition typographique de contenu dans les microfiches de catalogue des pièces de Mazda.
- El siguiente es un ejemplo típico de la disposición del contenido en una microficha del catálogo de repuestos de Mazda.
- Folgendes ist ein typisches Beispiel der Inhaltsanordnung des Mazda Mikrofiche Teilkatalogs.



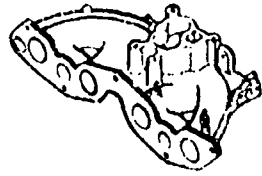
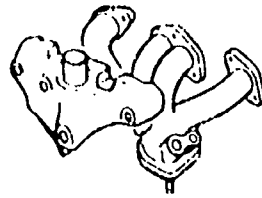
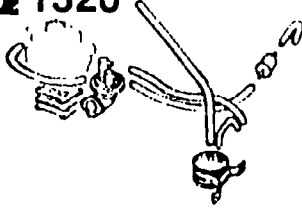
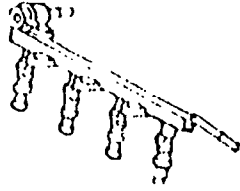
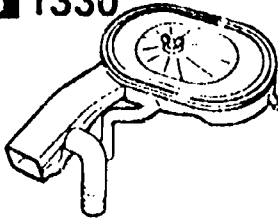
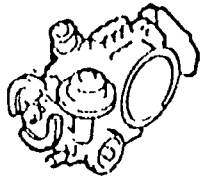
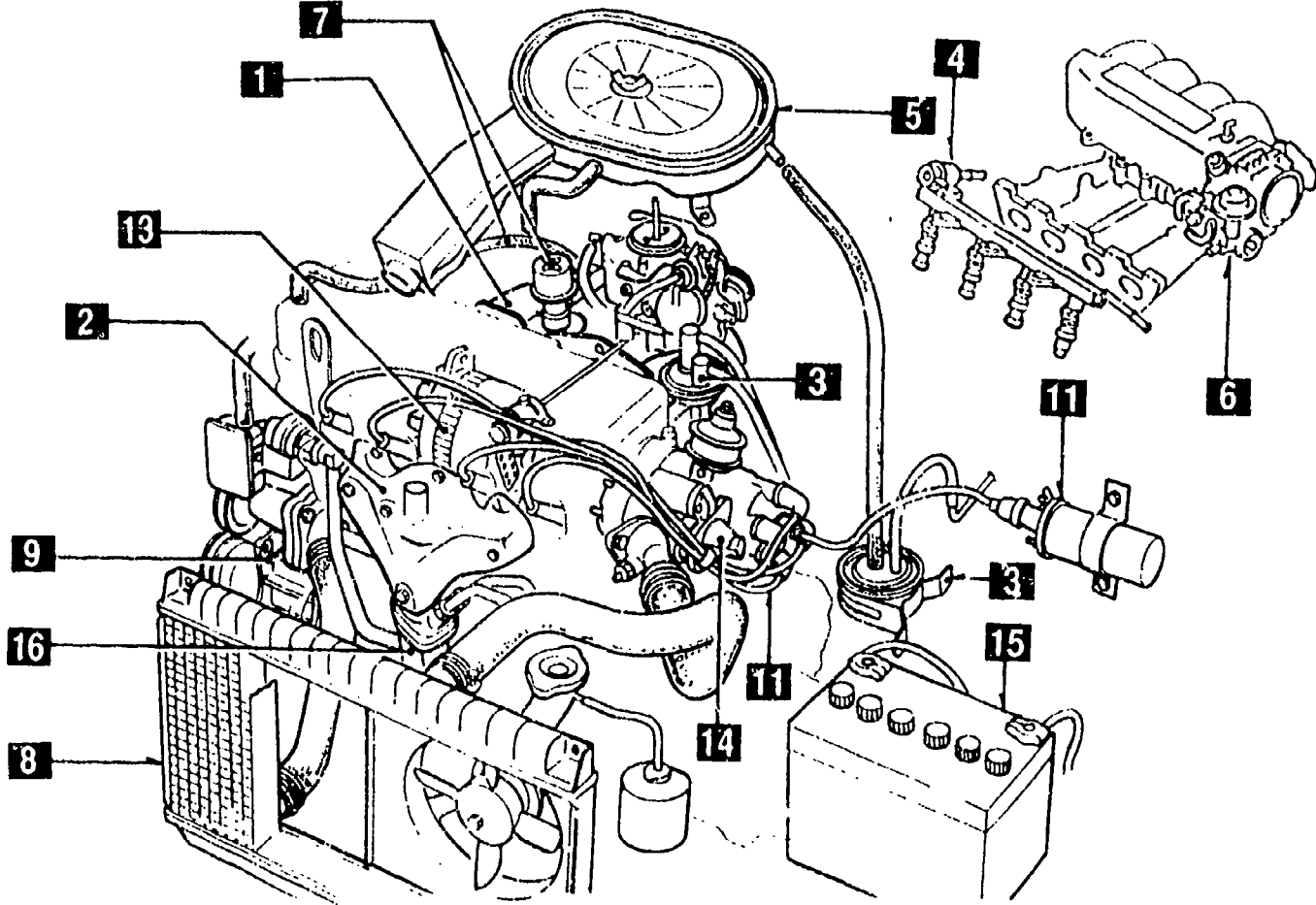


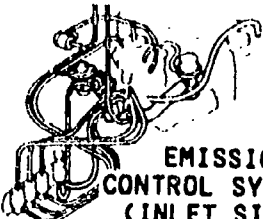
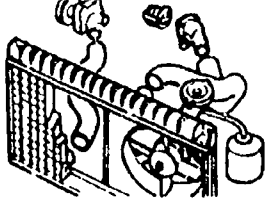
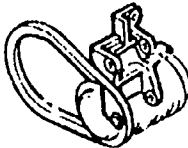

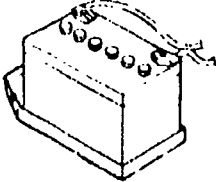
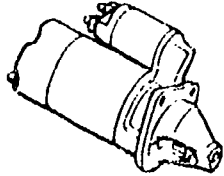
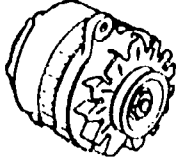
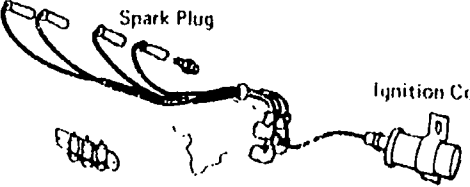
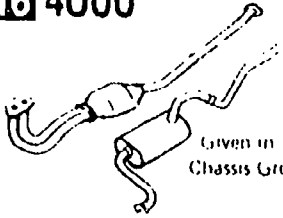
Remark : The items listed under (4) have been deleted from each fiche since Dec. '93

- | | | |
|--|---|--|
| (1) • Layout of contents
Disposition Typo-
graphique de Contenu
Disposición del contenido
Anordnung des Inhalts | (2) • Pictorial Index
Index par Schémas
Indice Gráfico
Illustrierter Index | (3) • Master Section No. Index
Index des Numéros des
Sections Totale
Indice del Numero de la
Sección Maestra
Hauptabschnittsnummer
Index |
| (4) • Section No. Index for
the Column
Index des Numéros des
Sections pour les Colonnes
N° de la Section para el
Indice
Abschnittsnummern für die
Spalten | (5) • Illustration & Text
Illustrations et Textes
Ilustración y Texto
Abbildung und Text | (6) • Part No. Index
Index des Numéros des
Pièces
Indice del N° de Pieza
Teile N° Index |
| (7) • Alphabetical Index
Index Alphabétique
Indice Alfabético
Alphabetischer Index | (8) • Model Identification
Identification des Modèles
Identificación del Modelo
Modell Kennzeichnung | (9) • Vehicle Identification
System
Système d'Identification de
Vehicule
Sistema de Identificación de
Vehículo
Fahrzeug-Identifikations-
system |

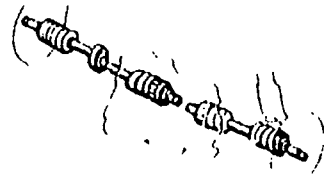
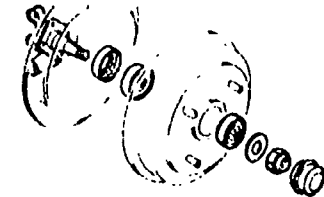
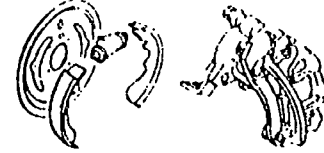
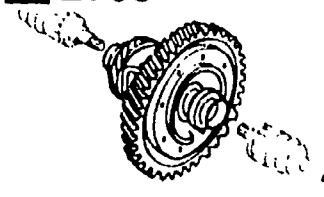
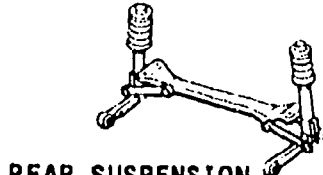

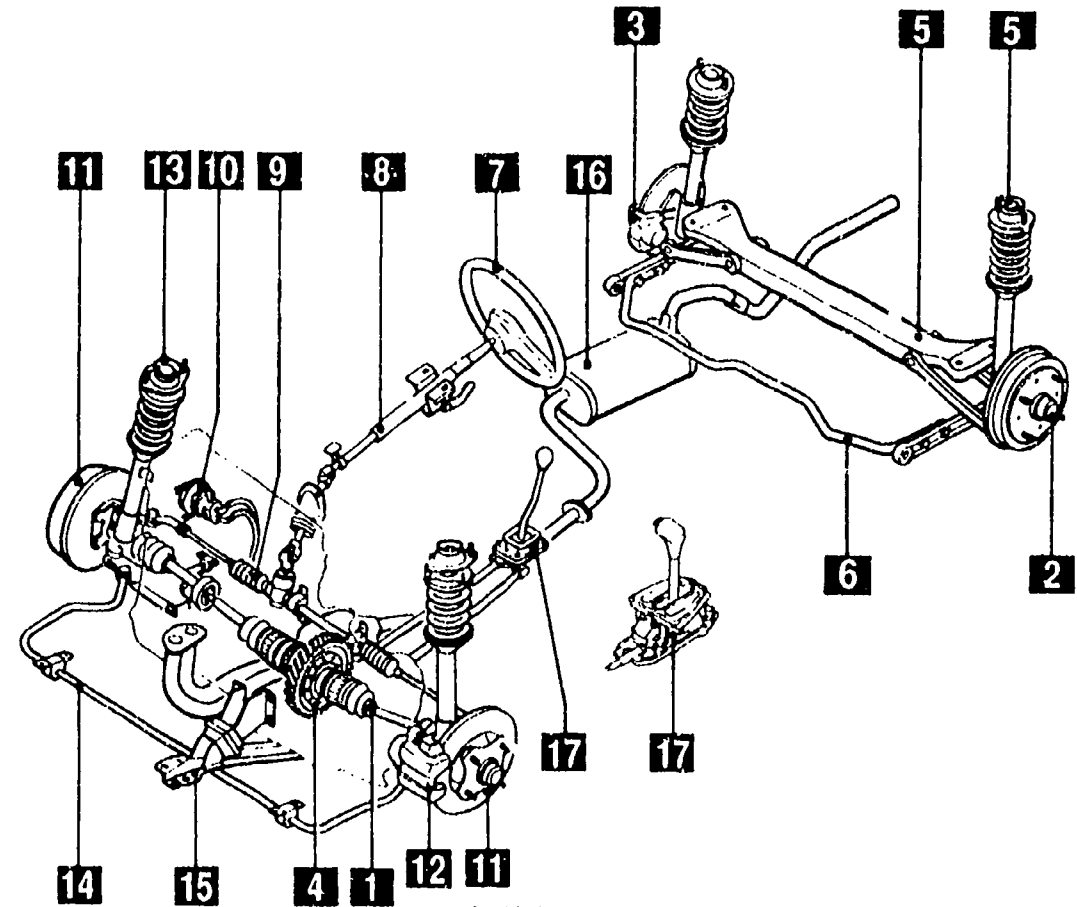

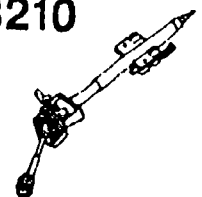
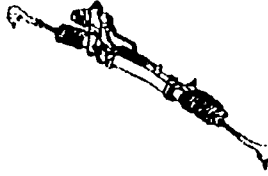
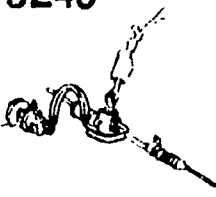
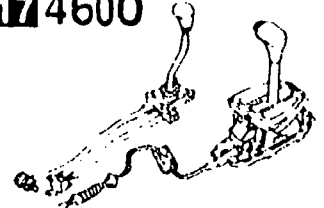
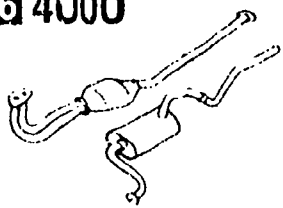
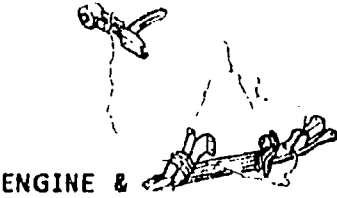
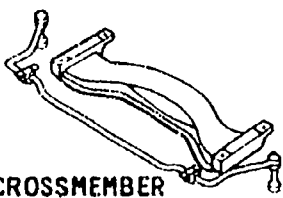
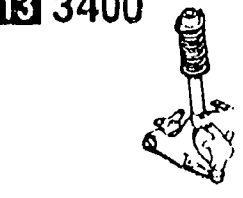

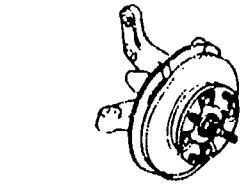
PICTORIAL INDEX

<p>1000</p>  <p>SHORT & PARTIAL ENGINE</p>	<p>1 1005</p>  <p>ENGINE GASKET SETS</p>	<p>2 1010</p>  <p>CYLINDER HEAD & COVER</p>	<p>3 1030</p>  <p>CYLINDER BLOCK</p>	<p>4 1040</p>  <p>OIL PAN & TIMING COVER</p>	<p>5 1100</p>  <p>PISTON, CRANKSHAFT & FLYWHEEL</p>
<p>19 3900 Given in Chassis Group</p>  <p>ENGINE & TRANSMISSION MOUNTINGS</p>	<p>20 4600 Given in Chassis Group</p>  <p>CHANGE CONTROL SYSTEM</p>	<h2 style="margin: 0;">GASOLINE ENGINE 4 - CYLINDER (1/2)</h2>			<p>6 1200</p>  <p>VALVE SYSTEM</p>
<p>18 1960</p>  <p>GASKET & SEAL KIT (AUTOMATIC)</p>				<p>7 1400</p>  <p>OIL PUMP & FILTER</p>	
<p>17 1950</p>  <p>MANUAL LINKAGE SYSTEM (AUTOMATIC)</p>	<p style="font-size: small;">As this illustration is prepared to be applicable to all models, some parts are different in specifications from parts listed in this parts Catalog.</p>			<p>8 1600</p>  <p>CLUTCH DISC & COVER (MANUAL)</p>	
<p>16 1940</p>  <p>GOVERNOR, LOW & REVERSE PISTON (AUTOMATIC)</p>	<p>15 1930</p>  <p>CLUTCHES & PLANETARY GEARS (AUTOMATIC)</p>	<p>14 1925</p>  <p>CONTROL VALVE (AUTOMATIC)</p>	<p>13 1920</p>  <p>TRANSMISSION CASE & MAIN CONTROL SYSTEM (AUTOMATIC)</p>	<p>12 1910</p>  <p>TORQUE CONVERTER, OIL PUMP & PIPINGS (AUTOMATIC)</p>	<p>11 1720</p>  <p>CHANGE CONTROL SYSTEM (MANUAL)</p>
			<p>10 1710</p>  <p>TRANSMISSION GEARS (MANUAL)</p>	<p>9 1700</p>  <p>TRANSMISSION CASE (MANUAL)</p>	


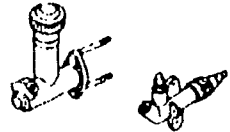
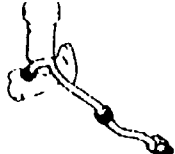
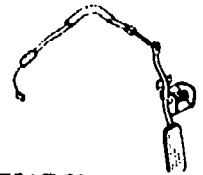
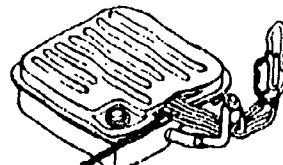
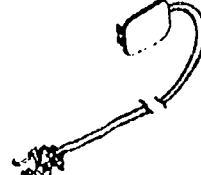
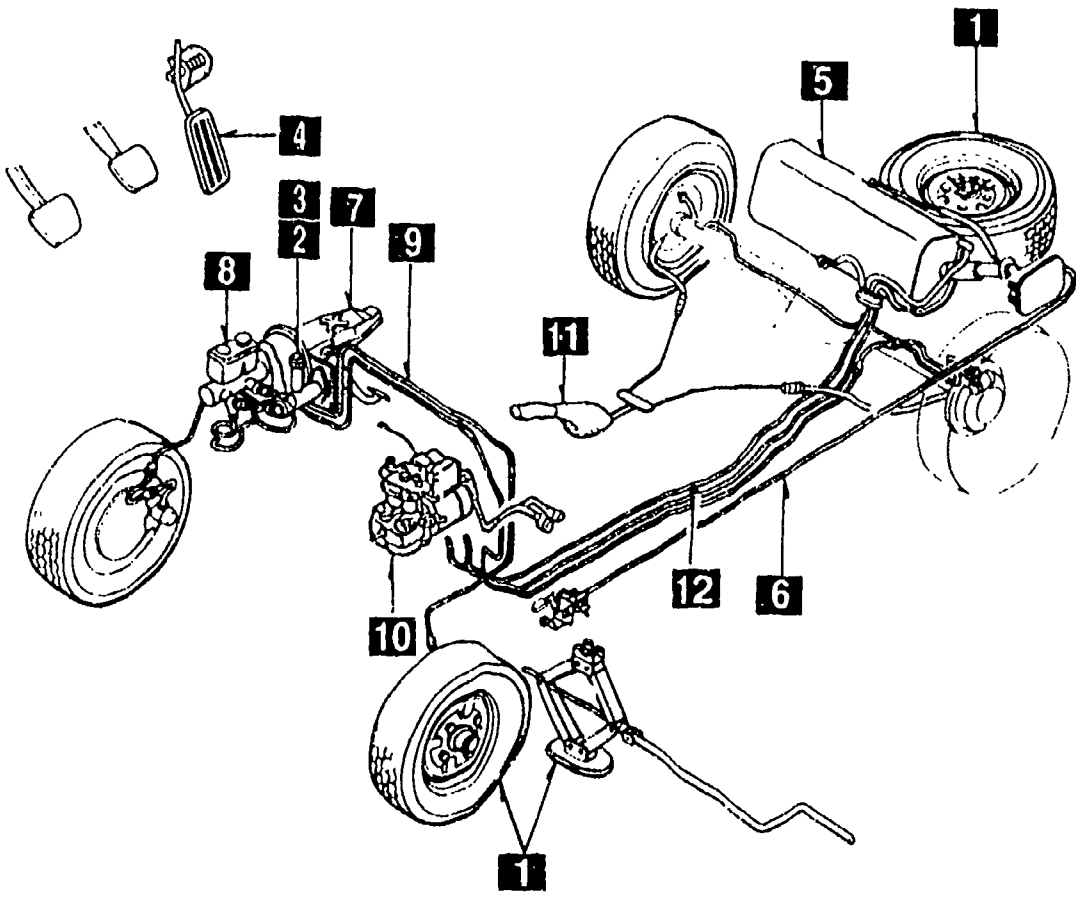

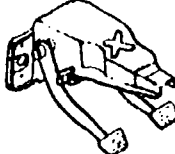
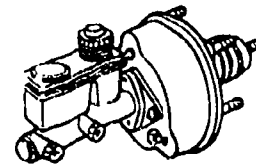

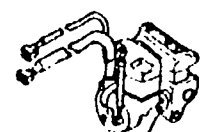

PICTORIAL INDEX

<p>1 1300</p>  <p style="text-align: center;">INLET MANIFOLD</p>	<p>2 1310</p>  <p style="text-align: center;">EXHAUST MANIFOLD</p>	<p>3 1320</p>  <p style="text-align: center;">FUEL SYSTEM</p>	<p>4 1325</p>  <p style="text-align: center;">FUEL DISTRIBUTOR</p>	<p>5 1330</p>  <p style="text-align: center;">AIR CLEANER</p>	<p>6 1364</p>  <p style="text-align: center;">THROTTLE BODY</p>
<h2 style="margin: 0;">GASOLINE ENGINE 4 - CYLINDER (2/2)</h2> 					
<p style="font-size: small;">As this illustration is prepared to be applicable to all models, some parts are different in specifications from parts listed in this parts Catalog.</p>					
<p>6600</p> <p style="font-size: x-small;">Given in BODY Group</p> <div style="display: flex; justify-content: space-around;"> <div style="text-align: center;"> <p style="font-size: x-small;">Control Unit</p>  </div> <div style="text-align: center;"> <p style="font-size: x-small;">Regulator</p>  </div> </div> <p style="text-align: center;">SWITCHES & RELAYS (ENGINE)</p>	<p>7 1370</p>  <p style="text-align: center;">EMISSION CONTROL SYSTEM (INLET SIDE)</p>	<p>8 1500</p>  <p style="text-align: center;">COOLING SYSTEM</p>	<p>9 1580</p>  <p style="text-align: center;">BRACKET, PULLEY & BELT</p>	<p>10</p>	<p>11 1800</p>  <p style="text-align: center;">V Belt</p>
<p>15 1350</p>  <p style="text-align: center;">BATTERY</p>	<p>14 1840</p>  <p style="text-align: center;">STARTER</p>	<p>13 1830</p>  <p style="text-align: center;">ALTERNATOR</p>	<p>12</p>	<p style="text-align: center;">ENGINE ELECTRICAL SYSTEM</p>  <p style="text-align: center;">Spark Plug Ignition Coil</p>	
<p>16 4000</p>  <p style="text-align: center;">Given in Chassis Group</p> <p style="text-align: center;">EXHAUST SYSTEM</p>					


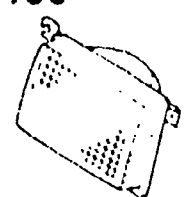
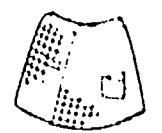
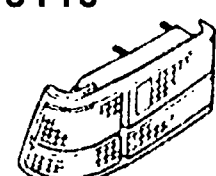
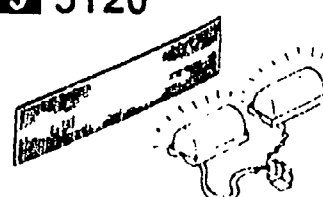
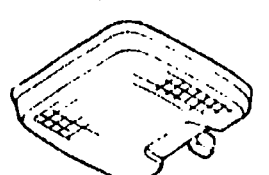
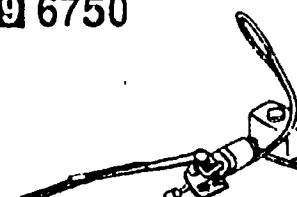
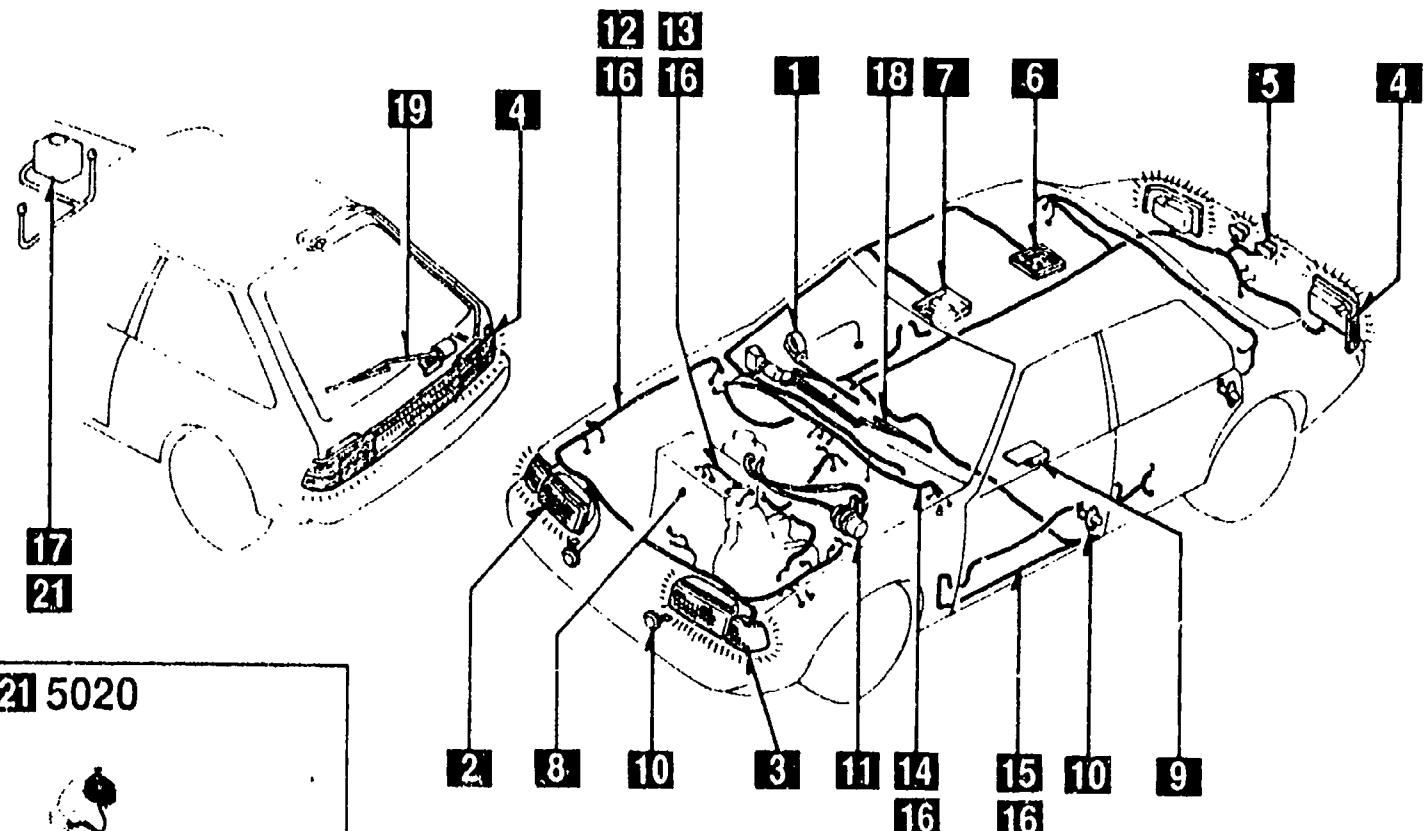
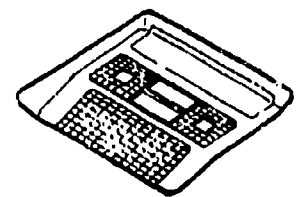
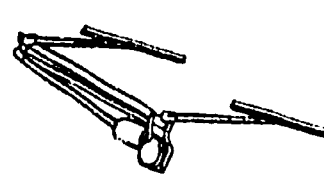
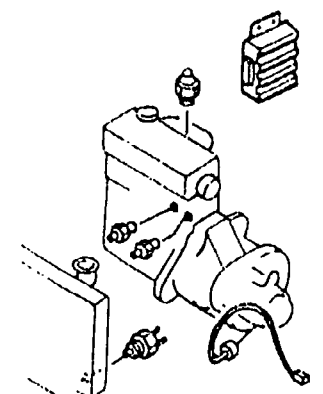
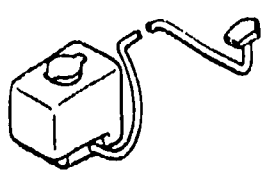




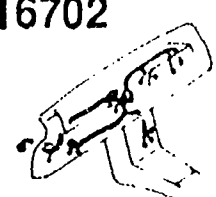
PICTORIAL INDEX

1 2510  FRONT DRIVE SHAFTS	2 2600  REAR AXLE	3 2610  REAR BRAKE MECHANISMS	4 2700  FRONT DIFFERENTIALS	5 2800  REAR SUSPENSION MECHANISMS	6 2810  REAR STABILIZER	
<h2 style="margin: 0;">CHASSIS (1/2)</h2>  <p style="font-size: small; text-align: center;">As this illustration is prepared to be applicable to all models, some parts are different in specifications from parts listed in this parts Catalog.</p>						7 3200  STEERING WHEEL
						8 3210  STEERING COLUMN & SHAFTS
						9 3220  STEERING GEAR
						10 3240  POWER STEERING SYSTEM
17 4600  CHANGE CONTROL SYSTEM	16 4000  EXHAUST SYSTEM	15 3900  ENGINE & T/MISSION MOUNTINGS	14 3410  CROSSMEMBER & STABILIZER	13 3400  FRONT SUSPENSION MECHANISMS	12 3310  FRONT BRAKE MECHANISMS	
						11 3300  FRONT AXLE

PICTORIAL INDEX

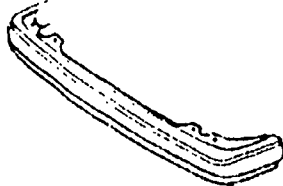
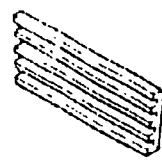
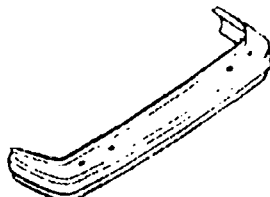
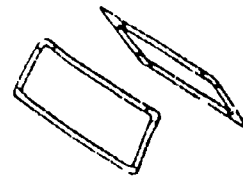
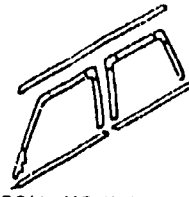

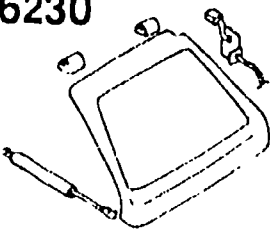
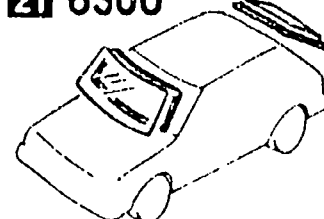
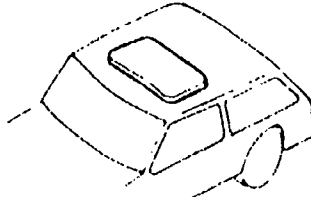
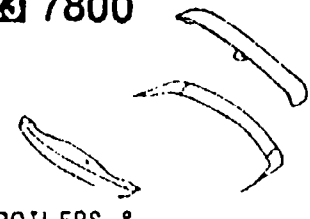


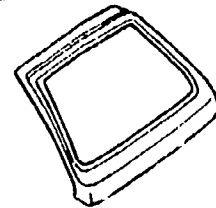
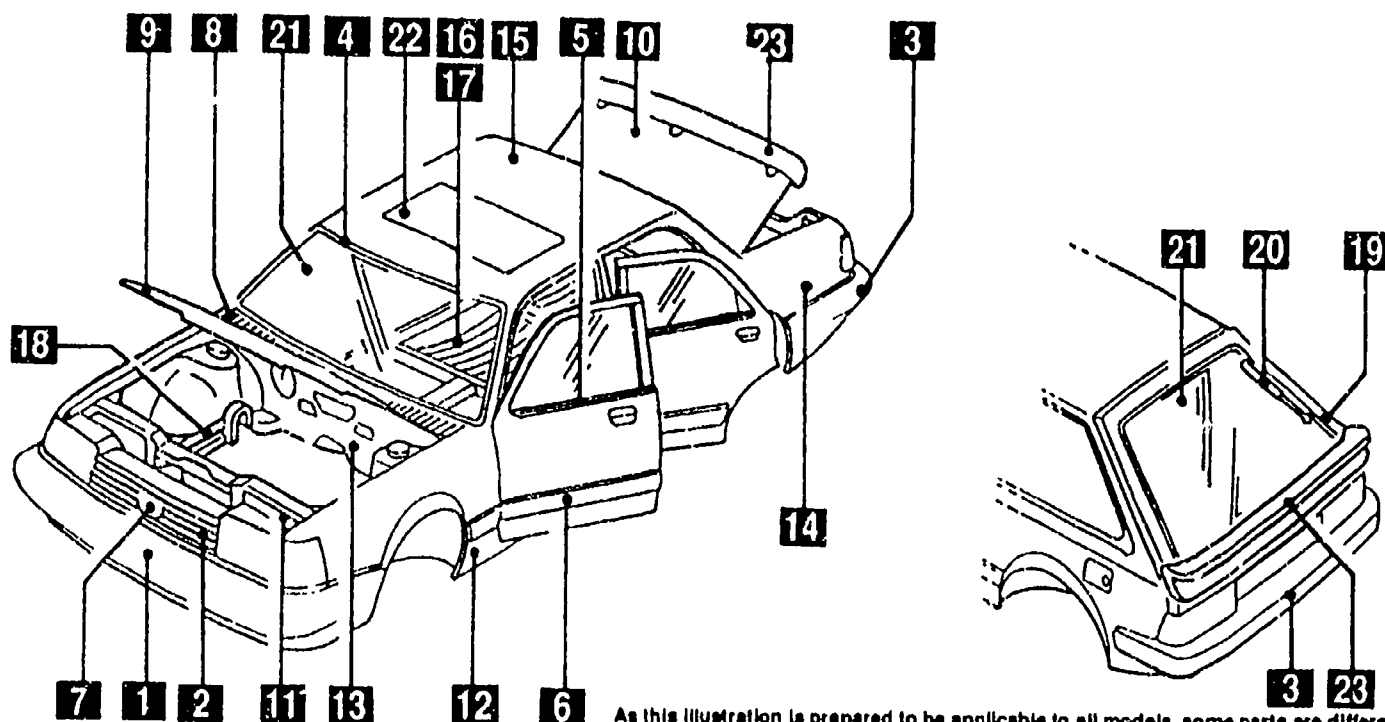
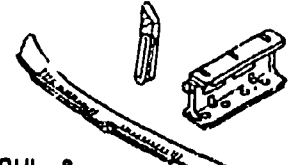
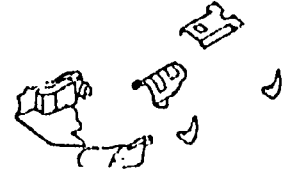
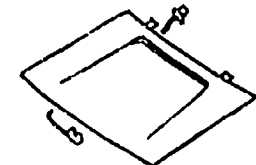
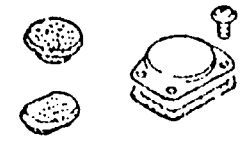

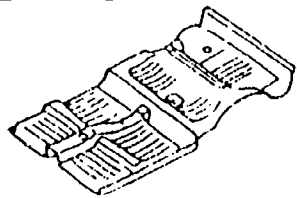

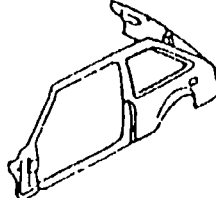
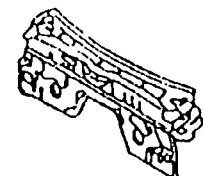

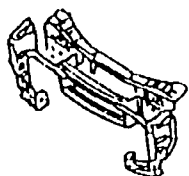
1 3700  TIRES & JACK	2 4140  CLUTCH RELEASE & MASTER CYLINDERS	3 4145  CLUTCH PIPINGS	4 4160  ACCELERATOR CONTROL SYSTEM	5 4200  FUEL TANK	6 4210  FUEL LID OPENER
<h3 style="margin: 0;">CHASSIS (2/2)</h3> 					
As this illustration is prepared to be applicable to all models, some parts are different in specifications from parts listed in this parts Catalog.					
				12 4500  FUEL PIPINGS	7 4300  CLUTCH & BRAKE PEDALS
					8 4340  BRAKE MASTER CYLINDER & POWER BRAKE
					9 4360  BRAKE PIPINGS
					10 4370  ANTILOCK BRAKE SYSTEM
					11 4400  PARKING BRAKE SYSTEM

PICTORIAL INDEX

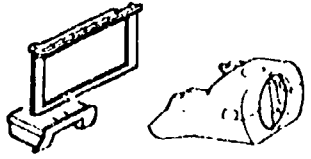
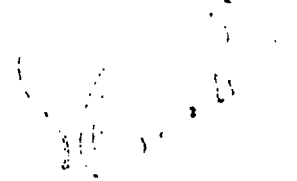
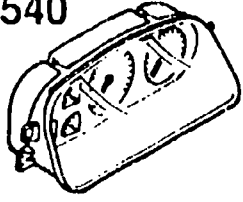
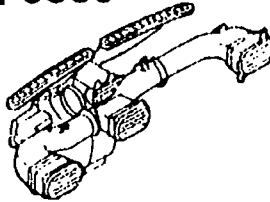
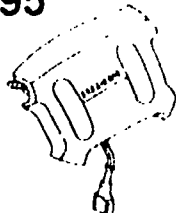
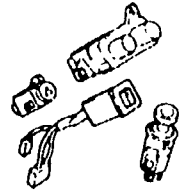
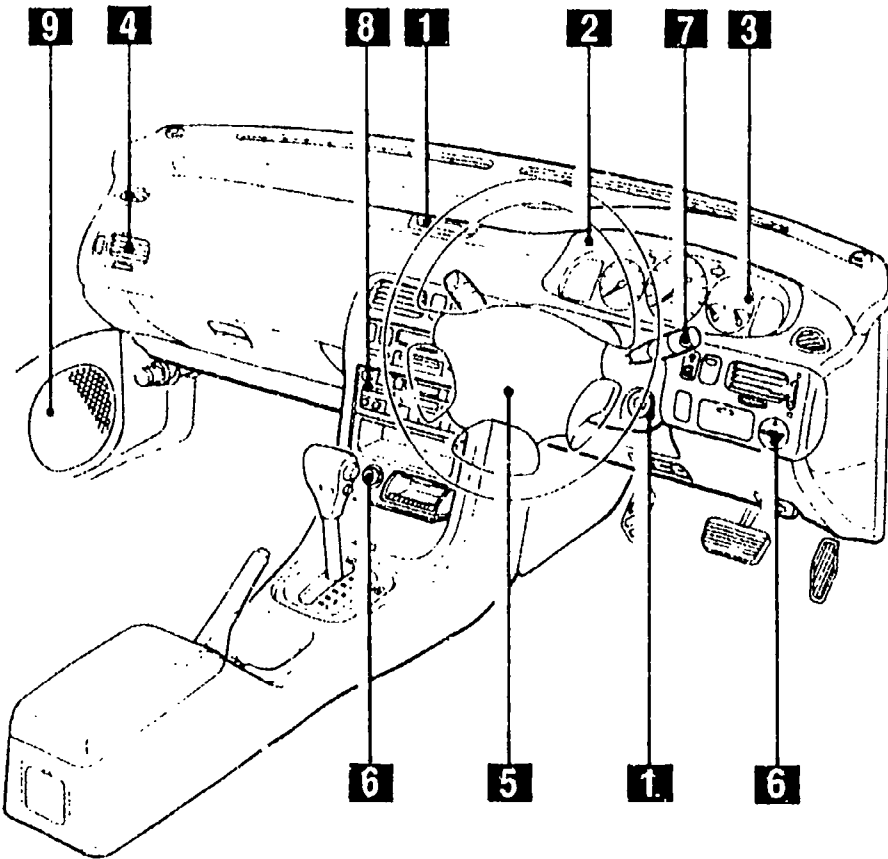
1 0900  KEY SETS	2 5100  HEAD LAMPS	3 5105  FRONT COMBINATION LAMPS	4 5110  REAR COMBINAT'ON LAMPS	5 5120  LICENSE LAMP & REAR FINISHER	6 5125  INTERIOR LAMPS
19 6750  WINDOW WIPER & WASHER (REAR)	<h2 style="text-align: center;">BODY (1/4)</h2> 				7 5130  OVERHEAD CONSOLE
18 6730  WINDSHIELD WIPERS					8 6600  SWITCHES & RELAYS (ENGINE)
17 6720  WINDSHIELD WASHER					9 6630  RELAYS & UNIT (BODY)
16 6704  WIRING HARNESS CLAMPS					21 5020  HEAD LAMP CLEANER
15 6703  WIRING HARNESSSES (DOOR, FLOOR/CEILING)					14 6702  WIRING HARNESSSES (DASHBOARD)

As this illustration is prepared to be applicable to all models, some parts are different in specifications from parts listed in this parts Catalog.

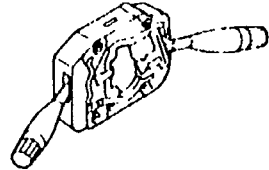
PICTORIAL INDEX

<p>1 5000</p>  <p style="text-align: center;">FRONT BUMPER</p>	<p>2 5005</p>  <p style="text-align: center;">RADIATOR GRILLE</p>	<p>3 5010</p>  <p style="text-align: center;">REAR BUMPER</p>	<p>4 5030</p>  <p style="text-align: center;">WINDOW MOULDINGS</p>	<p>5 5040</p>  <p style="text-align: center;">BODY MOULDINGS</p>	<p>6 5060</p>  <p style="text-align: center;">SIDE PROTECTORS</p>
<p>20 6230</p>  <p style="text-align: center;">LIFT GATE MECHANISMS</p>	<p>21 6300</p>  <p style="text-align: center;">WINDOW GLASSES</p>	<p>22 6330</p>  <p style="text-align: center;">SUN ROOF</p>	<p>23 7800</p>  <p style="text-align: center;">SPOILERS & RELATED PARTS</p>	<p>7 5170</p> <div style="text-align: center;">   </div> <p style="text-align: center;">ORNAMENTS</p>	
<p>19 6200</p>  <p style="text-align: center;">LIFT GATE</p>	<h2 style="margin: 0;">BODY (2/4)</h2>  <p style="font-size: small; margin-top: 5px;">As this illustration is prepared to be applicable to all models, some parts are different in specifications from parts listed in this parts Catalog.</p>				<p>8 5180</p>  <p style="text-align: center;">COWL & EXTRACTOR GRILLES</p>
<p>18 5390</p>  <p style="text-align: center;">FLOOR ATTACHMENTS</p>					<p>9 5230</p>  <p style="text-align: center;">BONNET</p>
<p>17 5380</p>  <p style="text-align: center;">FLOOR ATTACHMENTS (HOLE COVERS)</p>					<p>10 5260</p>  <p style="text-align: center;">TRUNK LID</p>
<p>16 5370</p>  <p style="text-align: center;">FLOOR PANELS</p>	<p>15 5360</p>  <p style="text-align: center;">ROOF PANELS</p>	<p>14 5340</p>  <p style="text-align: center;">SIDE PANELS</p>	<p>13 5330</p>  <p style="text-align: center;">DASH & COWL PANELS</p>	<p>12 5320</p>  <p style="text-align: center;">FENDER & WHEEL APRON PANELS</p>	<p>11 5310</p>  <p style="text-align: center;">FRONT PANELS</p>

PICTORIAL INDEX

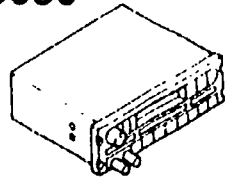
<p>1 5500</p>  <p>DASHBOARD EQUIPMENTS</p>	<p>2 5520</p>  <p>METER HOOD</p>	<p>3 5540</p>  <p>METER SET & METER COMPONENTS</p>	<p>4 5580</p>  <p>VENTILATOR</p>	<p>5 5795</p>  <p>AIR BAG</p>	<p>6 6610</p>  <p>DASHBOARD SWITCHES</p>
<h2 style="margin: 0;">BODY (3/4)</h2> 					
<p>As this illustration is prepared to be applicable to all models, some parts are different in specifications from parts listed in this parts Catalog.</p>					

7 6611



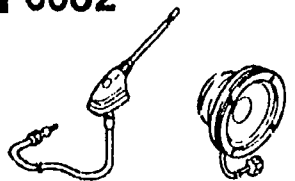
COMBINATION SWITCH

8 6680



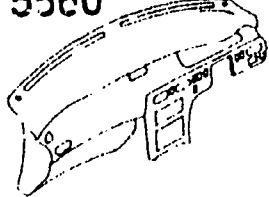
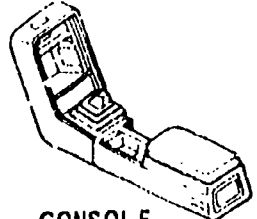
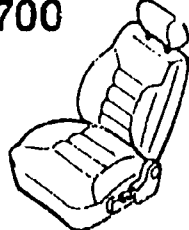
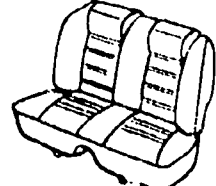
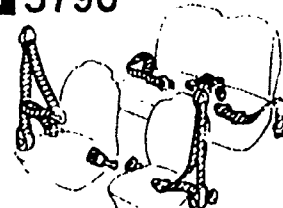
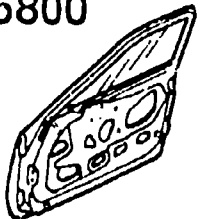
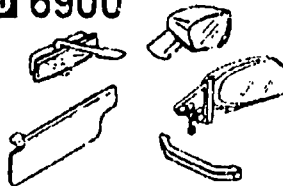
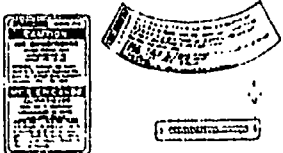
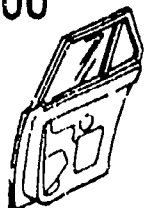

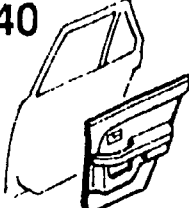
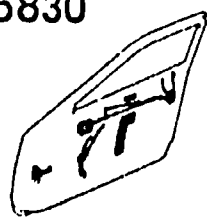
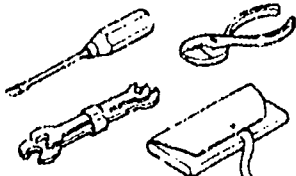
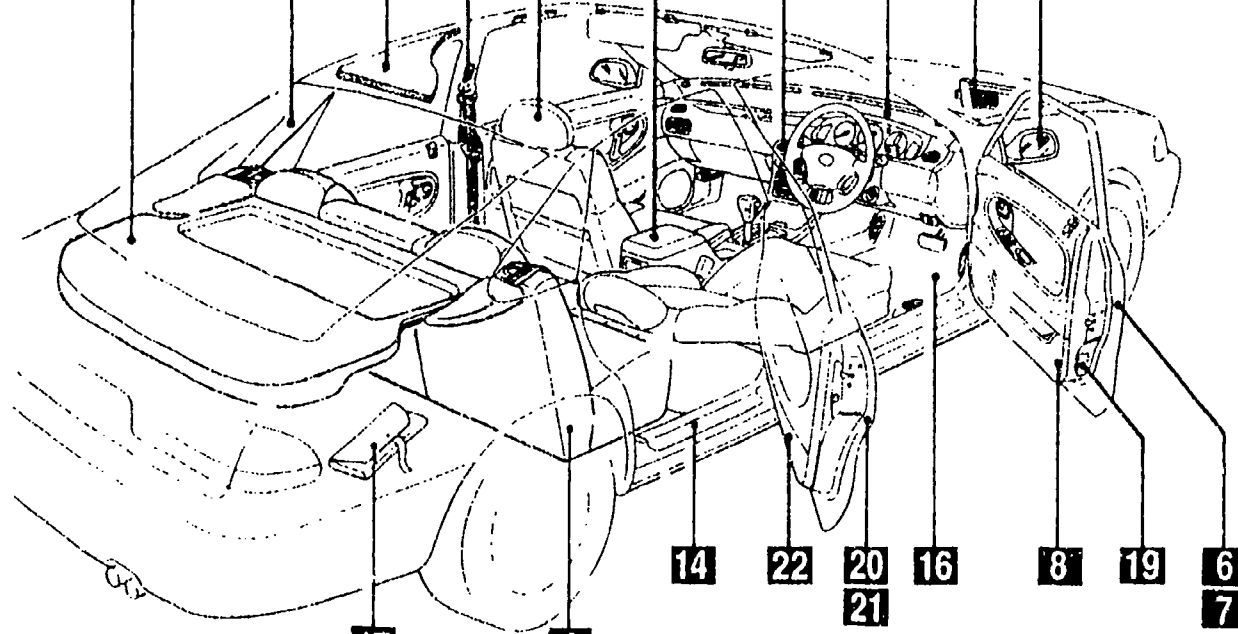
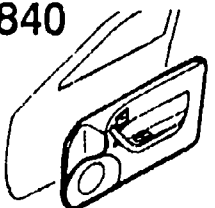
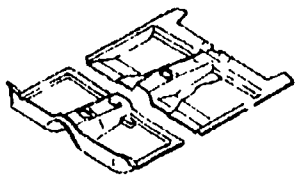
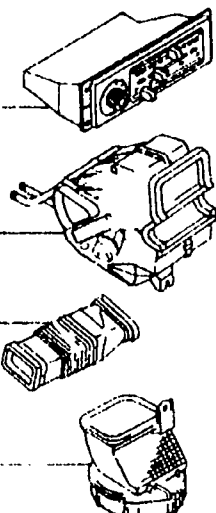
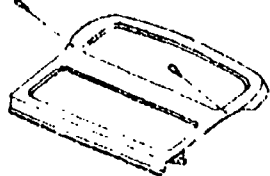

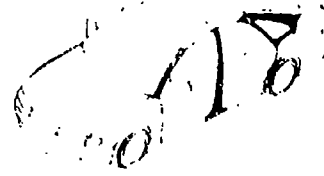
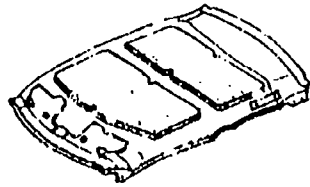
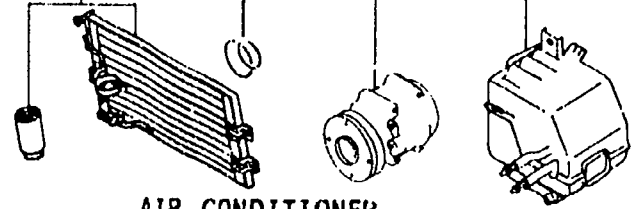
AUDIO SYSTEMS (RADIO & TAPE DECK)

9 6682



AUDIO SYSTEMS (ANTENNA & SPEAKER)

PICTORIAL INDEX

<p>1 5560</p>  <p>DASHBOARD & RELATED PARTS</p>	<p>2 5570</p>  <p>CONSOLE</p>	<p>3 5700</p>  <p>FRONT SEATS</p>	<p>4 5750</p>  <p>REAR SEATS</p>	<p>5 5790</p>  <p>SEAT BELTS</p>	<p>6 5800</p>  <p>FRONT DOORS</p>
<p>13 6900</p>  <p>VISORS, ASSIST HANDLES & MIRRORS</p>	<p>19 6930</p>  <p>CAUTION PLATES & LABELS</p>	<p>20 7200</p>  <p>REAR DOORS</p>	<p>21 7230</p>  <p>REAR DOOR MECHANISMS</p>	<p>22 7240</p>  <p>REAR DOOR TRIMS & RELATED PARTS</p>	<p>7 5830</p>  <p>FRONT DOOR MECHANISMS</p>
<p>17 6870</p>  <p>SERVICE TOOLS</p>	<div style="display: flex; justify-content: space-between; align-items: center;"> <div style="text-align: center;"> <p>15</p> </div> <div style="text-align: center;"> <p>13</p> </div> <div style="text-align: center;"> <p>12</p> </div> <div style="text-align: center;"> <p>5</p> </div> <div style="text-align: center;"> <p>3</p> </div> <div style="text-align: center;"> <p>2</p> </div> <div style="text-align: center;"> <p>9</p> </div> <div style="text-align: center;"> <p>1</p> </div> <div style="text-align: center;"> <p>10</p> </div> <div style="text-align: center;"> <p>18</p> </div> </div> <div style="text-align: center; margin-top: 10px;"> <h2 style="margin: 0;">BODY</h2> <h3 style="margin: 0;">(4/4)</h3>  </div>				<p>8 5840</p>  <p>FRONT DOOR TRIMS & RELATED PARTS</p>
<p>16 6860</p>  <p>FLOOR MATS & PADS</p>	<p style="text-align: center; font-size: small;">As this illustration is prepared to be applicable to all models, some parts are different in specifications from parts listed in this parts Catalog.</p>				<p>9</p>  <p>6115</p> <p>6110</p> <p>6100</p> <p>6120</p> <p>HEATER</p>
<p>15 6850</p>  <p>LUGGAGE COVER</p>	<p>14 6840</p>  <p>TRIMS & SCUFF PLATES</p>	<p>13 6820</p>  <p>PILLAR TRIMS</p>	<p>12 6800</p>  <p>CEILING TRIMS</p>	<p>10</p>  <p>6130 6135 6140 6150</p> <p>AIR CONDITIONER</p>	

SECTION NAME INDEX (ENGINE)

LO NO.	SEC NO.	SECTION NAME	LO NO.	SEC NO.	SECTION NAME	LO NO.	S. C. NO.	SECTION NAME
1-C03	1000AA	SHORT & PARTIAL ENGINE (1600CC)	1-E06	1364AB	THROTTLE BODY (2000CC)	1-G11	1840AB	STARTER (2000CC)(MT)
1-D03	1000AB	SHORT & PARTIAL ENGINE (2000CC)	1-F06	1370AA	EMISSION CONTROL SYSTEM (INLET SIDE) (1600CC)	1-I11	1840AC	STARTER (2000CC)(AT)
1-E03	1005AA	ENGINE GASKET SETS (1600CC)	1-H06	1370AB	EMISSION CONTROL SYSTEM (INLET SIDE) (2000CC)	1-K11	1150A	BATTERY
1-F03	1005AB	ENGINE GASKET SETS (2000CC)	1-L06	1400AA	OIL PUMP & FILTER (1600CC)	1-L11	1910A	AUTOMATIC TRANSMISSION TORQUE CONVERTER, OIL PUMP & PIPINGS
1-G03	1010AA	CYLINDER HEAD & COVER (1600CC)	1-M06	1400AB	OIL PUMP & FILTER (2000CC)	1-E12	1910A	AUTOMATIC TRANSMISSION CASE & MAIN CONTROL SYSTEM
1-I03	1010AB	CYLINDER HEAD & COVER (2000CC)	1-D07	1500AA	COOLING SYSTEM (1600CC)	1-H12	1921A	AUTOMATIC TRANSMISSION CONTROL VALVE
1-L03	1030AA	CYLINDER BLOCK (1600CC)	1-H07	1500AB	COOLING SYSTEM (2000CC)	1-L12	1930A	AUTOMATIC TRANSMISSION CLUTCHES & PLANETARY GEARS
1-M03	1030AB	CYLINDER BLOCK (2000CC)	1-L07	1580AA	BRACKET, PULLEY & BELT (1600CC)	1-D13	1940A	AUTOMATIC TRANSMISSION GOVERNOR, LOW & REVERSE PISTON
1-N03	1040AA	OIL PAN & TIMING COVER (1600CC)	1-N07	1580AB	BRACKET, PULLEY & BELT (2000CC)	1-G13	1950A	AUTOMATIC TRANSMISSION MANUAL LINKAGE SYSTEM
1-D04	1040AB	OIL PAN & TIMING COVER (2000CC)	1-09	1600AA	CLUTCH DISC & COVER (1600CC)	1-I13	1960A	AUTOMATIC TRANSMISSION GASKET & SEAL KIT
1-E04	1100AA	PISTON, CRANKSHAFT & FLYWHEEL (1600CC)	1-D09	1600AB	CLUTCH DISC & COVER (2000CC)			
1-H04	1100AB	PISTON, CRANKSHAFT & FLYWHEEL (2000CC)	1-E09	1700AA	MANUAL TRANSMISSION CASE (1600CC)			
1-J04	1200AA	VALVE SYSTEM (1600CC)	1-G09	1700AB	MANUAL TRANSMISSION CASE (2000CC)			
1-L04	1200AB	VALVE SYSTEM (2000CC)	1-I09	1710AA	MANUAL TRANSMISSION GEARS (1600CC)			
1-C05	1300AA	INLET MANIFOLD (1600CC)	1-M09	1710AB	MANUAL TRANSMISSION GEARS (2000CC)			
1-D05	1300AB	INLET MANIFOLD (2000CC)	1-E10	1720AA	MANUAL TRANSMISSION CHANGE CONTROL SYSTEM (1600CC)			
1-E05	1310AA	EXHAUST MANIFOLD (1600CC)	1-G10	1720AB	MANUAL TRANSMISSION CHANGE CONTROL SYSTEM (2000CC)			
1-G05	1310AB	EXHAUST MANIFOLD (2000CC)	1-I10	1800AA	ENGINE ELECTRICAL SYSTEM (1600CC)			
1-H05	1320AA	FUEL SYSTEM	1-K10	1800AB	ENGINE ELECTRICAL SYSTEM (2000CC)			
1-I05	1325AA	FUEL DISTRIBUTOR (1600CC)	1-M10	1830AA	ALTERNATOR (1600CC)			
1-J05	1325AB	FUEL DISTRIBUTOR (2000CC)	1-C11	1830AB	ALTERNATOR (2000CC)			
1-L05	1330AA	AIR CLEANER (1600CC)	1-E11	1840AA	STARTER (1600CC)			
1-N05	1330AB	AIR CLEANER (2000CC)						
1-D06	1364AA	THROTTLE BODY (1600CC)						

SECTION NAME INDEX (CHASSIS)

LO NO	SEC NO	SECTION NAME	LO NO	SEC NO	SECTION NAME	LO NO	SLC NO	SECTION NAME
2-C03	2510AA	FRONT DRIVE SHAFTS (1600CC)(MT)	2-C08	3900AA	ENGINE & TRANSMISSION MOUNTINGS (MANUAL TRANSMISSION) (1600CC)	2-L11	4360AB	BRAKE PIPINGS (W/O ANTILOCK BRAKE)(2000CC)(4-DOOR)
2-E03	2510AB	FRONT DRIVE SHAFTS (1600CC)(AT)	2-E08	3900AB	ENGINE & TRANSMISSION MOUNTINGS (MANUAL TRANSMISSION) (2000CC)	2-D12	4369AC	BRAKE PIPINGS (W/O ANTILOCK BRAKE)(2000CC)(5-DOOR)
2-G03	2510AC	FRONT DRIVE SHAFTS (2000CC)(MT)	2-G08	3900BA	ENGINE & TRANSMISSION MOUNTINGS (AUTOMATIC TRANSMISSION) (1600CC)	2-F12	4360BA	BRAKE PIPINGS (W/ANTILOCK BRAKE)(1600CC)
2-I03	2510AD	FRONT DRIVE SHAFTS (2000CC)(AT)	2-I08	3900BB	ENGINE & TRANSMISSION MOUNTINGS (AUTOMATIC TRANSMISSION) (2000CC)	2-H12	4360BB	BRAKE PIPINGS (W/ANTILOCK BRAKE)(2000CC)(4-DOOR)
2-K03	2600AA	REAR AXLE (DRUM BRAKE)	2-K08	4000A	EXHAUST SYSTEM (1600CC)	2-K12	4360BC	BRAKE PIPINGS (W/ANTILOCK BRAKE)(2000CC)(5-DOOR)
2-LJ3	2600AL	REAR AXLE (DISC BRAKE)(4-DOOR)	2-M08	4000B	EXHAUST SYSTEM (2000CC)	2-M12	4370A	ANTILOCK BRAKE SYSTEM
2-M03	2600AC	REAR AXLE (DISC BRAKE)(5-DOOR)(W/O ANTILOCK BRAKE)	2-C09	4140A	CLUTCH RELEASE & MASTER CYLINDERS (MANUAL TRANSMISSION)	2-M12	4400A	PARKING BRAKE SYSTEM
2-N03	2600AD	REAR AXLE (DISC BRAKE)(5-DOOR)(W/ANTILOCK BRAKE)	2-F09	4145AA	CLUTCH PIPINGS (MANUAL TRANSMISSION) (1600CC)	2-D13	4500A	FUEL PIPINGS
2-C04	2610AA	REAR BRAKE MECHANISMS (DRUM BRAKE)	2-G09	4145AB	CLUTCH PIPINGS (MANUAL TRANSMISSION) (2000CC)	2-F13	4600A	CHANGE CONTROL SYSTEM (MANUAL TRANSMISSION)
2-E04	2610AB	REAR BRAKE MECHANISMS (DISC BRAKE)	2-H09	4160A	ACCELERATOR CONTROL SYSTEM	2-G13	4600B	CHANGE CONTROL SYSTEM (AUTOMATIC TRANSMISSION)
2-G04	2700A	FRONT DIFFERENTIALS (MT)	2-J09	4200A	FUEL TANK			
2-J04	2700B	FRONT DIFFERENTIALS (AT)	2-F10	4210A	FUEL LID OPENER (4-DOOR)			
2-L04	2800A	REAR SUSPENSION MECHANISMS	2-H10	4210AA	FUEL LID OPENER (5-DOOR)			
2-D05	2810A	REAR STABILIZER	2-I10	4300A	CLUTCH & BRAKE PEDALS (MANUAL TRANSMISSION)			
2-E05	3200A	STEERING WHEEL	2-K10	4300B	BRAKE PEDALS (AUTOMATIC TRANSMISSION)			
2-K05	3210A	STEERING COLUMN & SHAFTS	2-L10	4340A	BRAKE MASTER CYLINDER & POWER BRAKE (W/O ANTILOCK BRAKE)(4-DOOR)			
2-L05	3220A	STEERING GEAR	2-C11	4340AA	BRAKE MASTER CYLINDER & POWER BRAKE (W/O ANTILOCK BRAKE)(5-DOOR)			
2-C06	3240AA	POWER STEERING SYSTEM (1600CC)	2-E11	4340B	BRAKE MASTER CYLINDER & POWER BRAKE (W/ANTILOCK BRAKE)(4-DOOR)			
2-G06	3240AB	POWER STEERING SYSTEM (2000CC)	2-H11	4340BA	BRAKE MASTER CYLINDER & POWER BRAKE (W/ANTILOCK BRAKE)(5-DOOR)			
2-K06	3300A	FRONT AXLE	2-J11	4360AA	BRAKE PIPINGS (W/O ANTILOCK BRAKE)(1600CC)			
2-M06	3310AA	FRONT BRAKE MECHANISMS (1600CC)						
2-N06	3310AB	FRONT BRAKE MECHANISMS (2000CC)						
2-D07	3400A	FRONT SUSPENSION MECHANISMS						
2-G07	3410A	CROSSMEMBER & STABILIZER						
2-H07	3700A	TIRES & JACK						

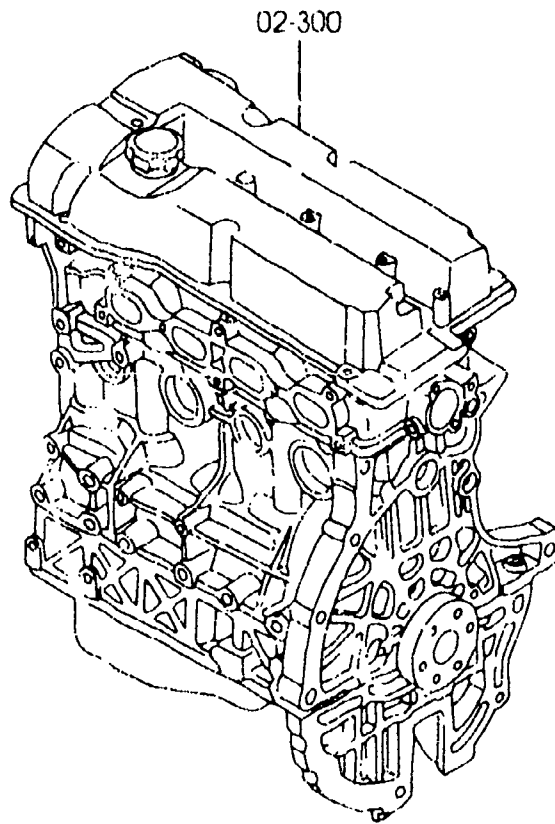
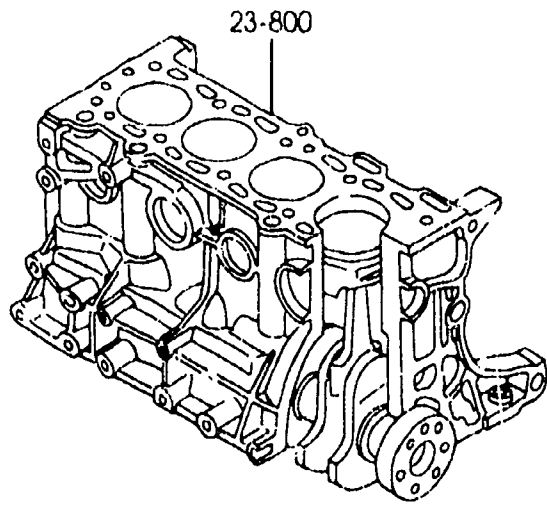
SECTION NAME INDEX (BODY)

LO NO	SEC NO	SECTION NAME	LO NO	SEC NO	SECTION NAME	LO NO	SEC NO	SECTION NAME
3-C03	0900A	KEY SETS (4-DOOR)	3-C07	5170A	ORNAMENTS (4-DOOR)	3-I12	5560A	DASHBOARD & RELATED PARTS
3-F03	0900AA	KEY SETS (5-DOOR)	3-E07	5170AA	ORNAMENTS (5-DOOR)	3-L12	5570A	CONSOLE
3-M03	5000A	FRONT BUMPER (4-DOOR)	3-F07	5180A	COWL & EXTRACTOR GRILLES (4-DOOR)	3-D13	5580A	VENTILATOR
3-L03	5000AA	FRONT BUMPER (5-DOOR)	3-M07	5180B	COWL & EXTRACTOR GRILLES (5-DOOR)	3-F13	5700A	FRONT SEATS (4-DOOR)
3-N03	5005A	RADIATOR GRILLE (4-DOOR)	3-J07	5230A	BONNET	3-M14	5700B	FRONT SEATS (5-DOOR)
3-D04	5005AA	RADIATOR GRILLE (5-DOOR)	3-L07	5260A	TRUNK LID (4-DOOR)	3-I15	5750A	REAR SEATS (4-DOOR)
3-E04	5010A	REAR BUMPER (4-DOOR)	3-M07	5310A	FRONT PANELS	3-F16	5750B	REAR SEATS (5-DOOR)
3-G04	5010B	REAR BUMPER (5-DOOR)	3-C08	5320A	FENDER & WHEEL APRON PANELS (4-DOOR)	3-J16	5790A	SEAT BELTS (4-DOOR)
3-I04	5030A	WINDOW MOULDINGS (4-DOOR)	3-G08	5320AA	FENDER & WHEEL APRON PANELS (5-DOOR)	3-M16	5790B	SEAT BELTS (5-DOOR)
3-J04	5030B	WINDOW MOULDINGS (5-DOOR)	3-K07	5330A	DASH & COWL PANELS	4-C03	5795A	AIR BAG
3-K04	5040A	BODY MOULDINGS (4-DOOR)	3-L08	5340A	SIDE PANELS (4-DOOR)	4-E03	5800A	FRONT DOORS
3-M04	5040B	BODY MOULDINGS (5-DOOR)	3-E09	5340B	SIDE PANELS (5-DOOR)	4-H03	5830A	FRONT DOOR MECHANISMS (4-DOOR)
3-H05	5060A	SIDE PROTECTORS (4-DOOR)	3-J09	5360A	ROOF PANELS (4-DOOR)	4-N03	5830AA	FRONT DOOR MECHANISMS (5-DOOR)
3-K05	5060AA	SIDE PROTECTORS (5-DOOR)	3-K09	5360B	ROOF PANELS (5-DOOR)	4-F04	5840A	FRONT DOOR TRIMS & RELATED PARTS (4-DOOR)
3-M05	5100A	HEAD LAMPS (4-DOOR)	3-M09	5370A	FLOOR PANELS (4-DOOR)	4-N04	5840AA	FRONT DOOR TRIMS & RELATED PARTS (5-DOOR)
3-N05	5100B	HEAD LAMPS (5-DOOR)	3-D10	5370B	FLOOR PANELS (5-DOOR)	4-C06	6100A	HEATER
3-C06	5105A	FRONT COMBINATION LAMPS (4-DOOR)	3-G10	5380A	FLOOR ATTACHMENT (HOLE COVERS) (4-DOOR)	4-E06	6110A	HEATER UNIT COMPONENTS
3-F06	5105B	FRONT COMBINATION LAMPS (5-DOOR)	3-I10	5380B	FLOOR ATTACHMENT (HOLE COVERS) (5-DOOR)	4-G06	6115A	HEATER CONTROL COMPONENTS
3-G06	5110A	REAR COMBINATION LAMPS (4-DOOR)	3-K10	5390A	FLOOR ATTACHMENT (4-DOOR)	4-I06	6120A	HEATER BLOWER COMPONENTS
3-I06	5110B	REAR COMBINATION LAMPS (5-DOOR)	3-N10	5390B	FLOOR ATTACHMENT (5-DOOR)	4-J06	6130A	AIR CONDITIONER
3-J06	5120A	LICENSE LAMPS	3-C12	5500A	DASHBOARD EQUIPMENTS	4-C07	6135A	AIR CONDITIONING COOLING PIPE O-RING
3-L06	5125A	INTERIOR LAMPS (W/O SUNROOF)	3-E12	5520A	METER HOOD	4-D07	6140A	AIR CONDITIONING COMPRESSOR COMPONENTS (1600CC)
3-M06	5125B	INTERIOR LAMPS (W/SUNROOF)	3-F12	5540AA	METER SET & METER COMPONENTS (4-DOOR)(W/O TACHOMETER)	4-E07	6140B	AIR CONDITIONING COMPRESSOR COMPONENTS (2000CC)
3-N06	5130A	OVERHEAD CONSOLE (W/SUNROOF)	3-G12	5540AB	METER SET & METER COMPONENTS (4-DOOR)(W/TACHOMETER)	4-F07	6150A	AIR CONDITIONING COOLING UNIT
			3-H12	5540B	METER SET & METER COMPONENTS (5-DOOR)	4-H07	6200A	LIFT GATE (5-DOOR)
						4-I07	6230A	LIFT GATE MECHANISMS (5-DOOR)

SECTION NAME INDEX (BODY)

LO NO	SEC NO	SECTION NAME	LO NO	SEC NO	SECTION NAME	LO NO	SEC NO	SECTION NAME
4-J07	6300A	WINDOW GLASSES (4-DOOR)	4-L11	6703AA	DOOR, FLOOR & CEILING WIRING H ARNESSES (5-DOOR)	5-E03	7800AA	SPOILERS & RELATED PARTS (5-DOOR)
4-K07	6300B	WINDOW GLASSES (5-DOOR)	4-M11	6704A	WIRING HARNESS CLAMPS (4-DOOR)			
4-M07	6330A	SUNROOF (4-DOOR)	4-D12	6704AA	WIRING HARNESS CLAMPS (5-DOOR)			
4-D08	6330B	SUNROOF (5-DOOR)	4-E12	6720A	WINDSHIELD WASHER (4-DOOR)			
4-G08	6600AA	ENGINE SWITCHES & RELAYS (1600CC)	4-M12	6720AA	WINDSHIELD WASHER (5 DOOR)			
4-K08	6600AB	ENGINE SWITCHES & RELAYS (2000CC)	4-K12	6730A	WINDSHIELD WIPERS			
4-C09	6610A	DASHBOARD SWITCHES	4-M12	6750A	WINDOW WIPER & WASHER (REAR) (5-DOOR)			
4-D09	6611A	COMBINATION SWITCH	4-C13	6800A	CEILING TRIMS (4-DOOR)			
4-E09	6620A	DOOR SWITCH & HORNS	4-E13	6800B	CEILING TRIMS (5-DOOR)			
4-F09	6630A	BODY RELAYS & UNIT (4-DOOR)	4-G13	6820A	PILLAR TRIMS (4-DOOR)			
4-G09	6630B	BODY RELAYS & UNIT (5-DOOR)	4-J13	6820B	PILLAR TRIMS (5-DOOR)			
4-H09	6640A	AUTO CRUISE CONTROL SYSTEM	4-M13	6840A	TRIMS & SCUFF PLATES (4-DOOR)			
4-K09	6680A	AUDIO SYSTEMS (RADIO & TAPE DE CK) (4-DOOR)	4-E14	6840B	TRIMS & SCUFF PLATES (5-DOOR)			
4-E10	6680AA	AUDIO SYSTEMS (RADIO & TAPE DE CK) (5-DOOR)	4-H14	6850A	LUGGAGE COVER (5-DOOR)			
4-F10	6682A	AUDIO SYSTEMS (ANTENNA & SPEAK ER) (4-DOOR)	4-I14	6860A	FLOOR MATS & PADS (4-DOOR)			
4-G10	6682AA	AUDIO SYSTEMS (ANTENNA & SPEAK ER) (5-DOOR)	4-L14	6860B	FLOOR MATS & PADS (5-DOOR)			
4-I10	6700A	FRONT & REAR WIRING HARNESSES (4-DOOR)	4-M14	6870A	SERVICE TOOLS			
4-L10	6700B	FRONT & REAR WIRING HARNESSES (5-DOOR)	4-C15	6900A	SUN VISORS, ASSIST HANDLES & M IRRORS (4-DOOR)			
4-C11	6701AA	ENGINE & TRANSMISSION WIRING H ARNESSES (1600CC)	4-H15	6900AA	SUN VISORS, ASSIST HANDLES & M IRRORS (5-DOOR)			
4-F11	6701AB	ENGINE & TRANSMISSION WIRING H ARNESSES (2000CC)	4-K15	6930A	CAUTION PLATES & LABELS			
4-I11	6702A	DASHBOARD WIRING HARNESSES	4-M15	7200A	REAR DOORS			
4-K11	6703A	DOOR, FLOOR & CEILING WIRING H ARNESSES (4-DOOR)	4-F16	7230A	REAR DOOR MECHANISMS			
			4-K16	7240A	REAR DOOR TRIMS & RELATED PART S			
			5-C03	7800A	SPOILERS & RELATED PARTS (4-DOOR)			

1000AA SHORT & PARTIAL ENGINE
(1600CC)



AUBAC9

(2B10700)

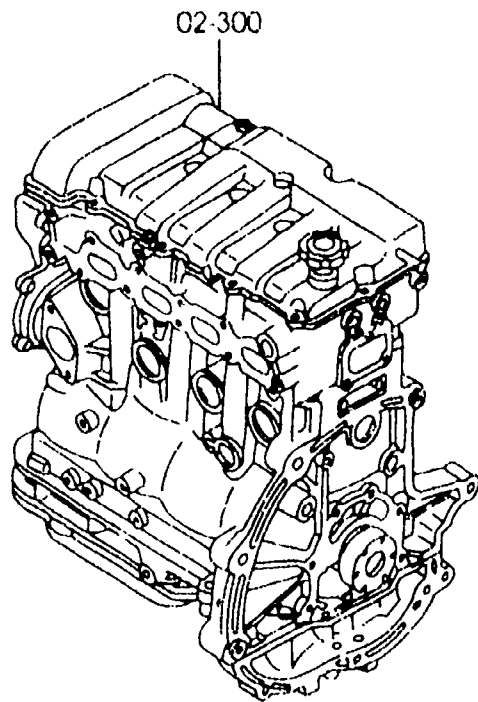
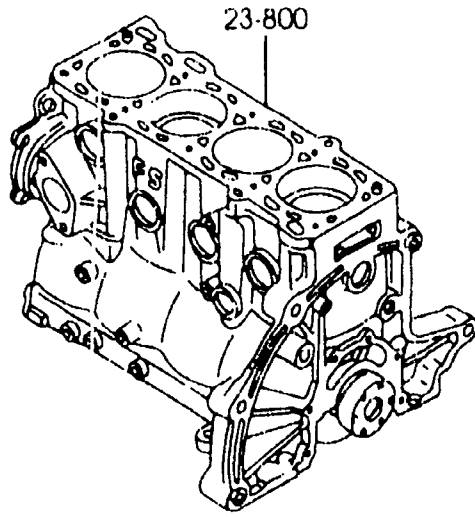
1000AA-1 * SHORT & PARTIAL ENGINE
(1600CC)

PART NO	QTY	MODEL/RESTRICTION	MODPL./RESTRICTION	MODEL/RESTRICTION	FROM-TO
02-300		ENGINE, PARTIAL	MOTEUR, PARTIEL		
ZM01-02-300C	1				
23-800		ENGINE, SHORT	MOTEUR NU		
ZM01-02-200	1				

CAT. AUBA09-02

2001-07

1000AB SHORT & PARTIAL ENGINE
(2000CC)



AUBA09

(2B10726)

1000AB-1 * SHORT & PARTIAL ENGINE
(2000CC)

PART NO.	QTY	MODEL/RESTRICTION	MODEL/RESTRICTION	MODEL/RESTRICTION	FROM-TO
02-300		ENGINE, PARTIAL	MOTEUR, PARTIEL		
FS7N-02-300A	1	((MT))>(SPORT SUSP))	((B.V. MANU))>(SUSP. SPORTIVE)		
FS7P-02-300A	1	(AT)	(B.V. AUTOM)		
FS9N-02-300	1	((MT))>(MPS SUSP))	((B.V. MANU))>(SUSP. MP S)		
23-800		ENGINE, SHORT	MOTEUR NU		
FS1E-02-200 AN(FS1E-02-200A)	1				-1129
FS1E-02-200A	1				1129-
1129 BJ22* -429123					

CAT. AUBA09-02

2001-07

1005AA ENGINE GASKET SETS
(1600CC)

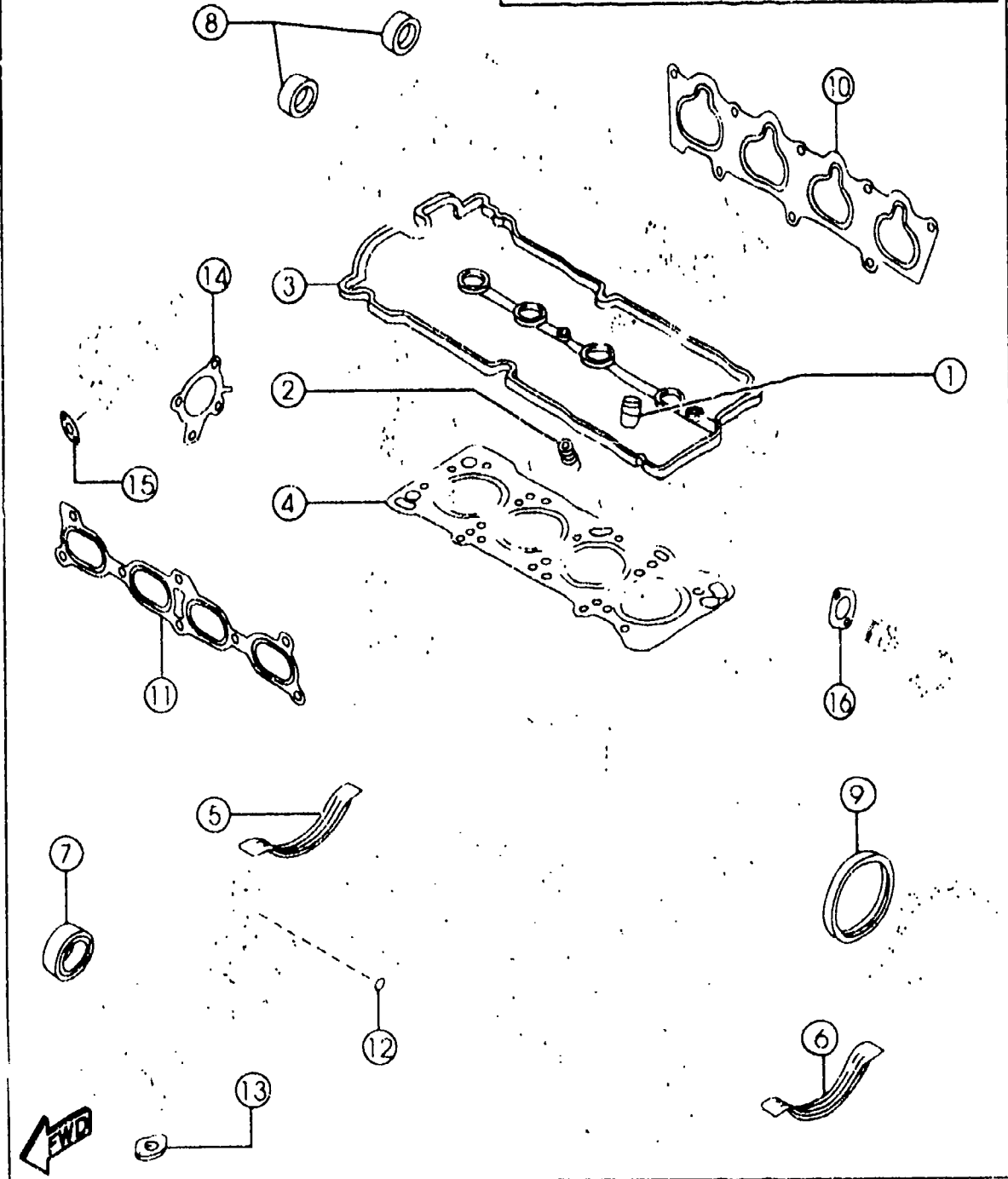
1005AA-1 * ENGINE GASKET SETS
(1600CC)

10-271S

- | | |
|----------------------------------|--------------------------------------|
| 1--SEAL, VALVE.....(1) | 13--GASKET.....(1) |
| 2--SEAL, VALVE.....(1) | 14--GASKET, WATER PUMP.....(1) |
| 3--GASKET, HEAD COVER.....(1) | 15--GASKET, W. PUMP INLET.....(1) |
| 4--GASKET, CYLINDER HEAD.....(1) | 16--GASKET, THERMOSTAT COVER.....(1) |
| 5--GASKET, OIL PAN.....(1) | |
| 6--GASKET, OIL PAN.....(1) | |
| 7--SEAL, OIL.....(1) | |
| 8--SEAL, OIL.....(2) | |
| 9--SEAL, OIL.....(1) | |
| 10--GASKET, IN. MANIFOLD.....(1) | |
| 11--GASKET, EX. MANIFOLD.....(1) | |
| 12--RING, 'O'.....(1) | |

02-310S

- | |
|--------------------------------------|
| 10--GASKET, IN. MANIFOLD.....(1) |
| 11--GASKET, EX. MANIFOLD.....(1) |
| 14--GASKET, WATER PUMP.....(1) |
| 15--GASKET, W. PUMP INLET.....(1) |
| 16--GASKET, THERMOSTAT COVER.....(1) |



AUBA09

(2B10760)

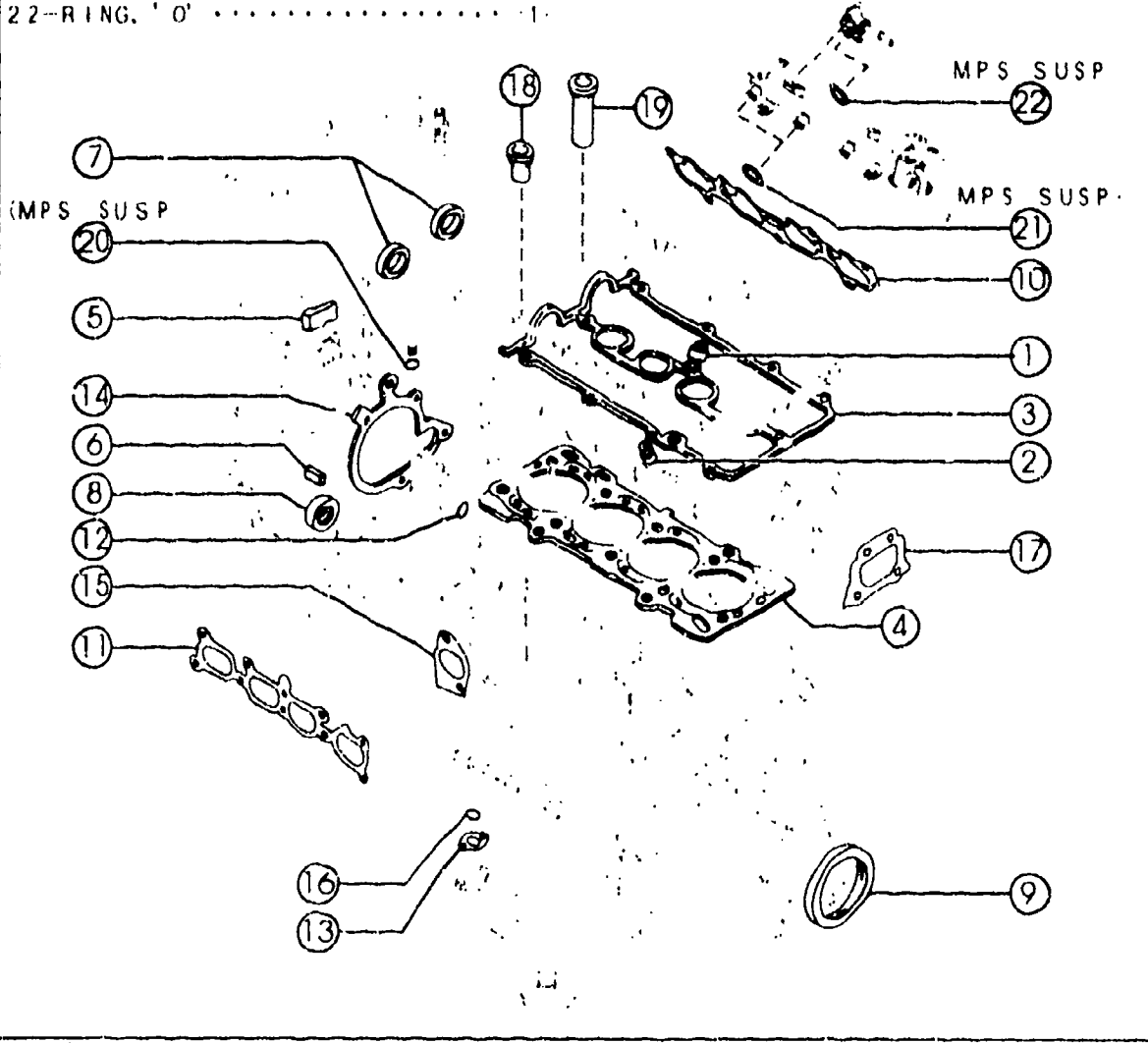
PART NO.	QTY	MODEL/RESTRICTION	MODEL/RESTRICTION	MODEL/RESTRICTION	FROM-TO
↑-----↑ 02-310S ↑-----↑ 8ABN-02-310	1	GASKET SET, PARTIAL ENGINE	JEU GARNITURE, MOTEUR PART		
↑-----↑ 10-271S ↑-----↑ 8EBN-10-271	1	GASKET SET, ENGINE	JEU, JOINTS DE MOTEUR		

CAT. AUBA09-02

2001-07

10-271S

- | | | |
|---------------------------------------|-----------------------|--------------------------------------|
| 1-SEAL, VALVE..... (8) | SPORT SUSP
02-310S | 10-GASKET, IN. MANIFOLD..... (1) |
| 2-SEAL, VALVE..... (8) | | 11-GASKET, EX. MANIFOLD..... (1) |
| 3-GASKET, HEAD COVER..... (1) | | 14-GASKET, WATER PUMP..... (1) |
| 4-GASKET, CYLINDER HEAD..... (1) | | 15-GASKET, THERMOSTAT COVER..... (1) |
| 5-SEAL, RUBBER..... (1) | | |
| 6-SEAL, RUBBER..... (1) | MPS SUSP
02-310S | 1-SEAL, VALVE..... (8) |
| 7-SEAL, OIL..... (2) | | 2-SEAL, VALVE..... (8) |
| 8-SEAL, OIL..... (1) | | 3-GASKET, HEAD COVER..... (1) |
| 9-SEAL, OIL..... (1) | | 4-GASKET, CYLINDER HEAD..... (1) |
| 10-GASKET, IN. MANIFOLD..... (1) | | 10-GASKET, IN. MANIFOLD..... (1) |
| 11-GASKET, EX. MANIFOLD..... (1) | | 11-GASKET, EX. MANIFOLD..... (1) |
| 12-RING, 'O'..... (1) | | 14-GASKET, WATER PUMP..... (1) |
| 13-GASKET, SUCTION PIPE..... (1) | | 15-GASKET, THERMOSTAT COVER..... (1) |
| 14-GASKET, WATER PUMP..... (1) | | 17-GASKET, WATER OUTLET..... (1) |
| 15-GASKET, THERMOSTAT COVER..... (1) | | |
| 16-RING, 'O'..... (1) | | |
| 17-GASKET, WATER OUTLET..... (1) | | |
| 18-WATER, SEALING-HEAD COVER..... (9) | | |
| 19-WATER, SEALING..... (2) | | |
| 20-RING, 'O'..... (1) | | |
| 21-RING, 'O'..... (2) | | |
| 22-RING, 'O'..... (1) | | |



PART NO.	QTY	MODEL/RESTRICTION	MODEL/RESTRICTION	MODEL/RESTRICTION	FROM-TO
02-310S	1	GASKET SET, PARTIAL ENGINE (SPORT SUSP)	JEU GARNITURE, MOTEUR PART (SUSP. SPORTIVE)		
8ABY-02-310	1	(SPORT SUSP)	(SUSP. SPORTIVE)		
8CB1-02-310	1	(MPS SUSP)	(SUSP. MPS)		
10-271S	1	GASKET SET, ENGINE (SPORT SUSP)	JEU, JOINTS DE MOTEUR (SUSP. SPORTIVE)		
8GB3-10-271	1	(SPORT SUSP)	(SUSP. SPORTIVE)		
8GB4-10-271	1	(MPS SUSP)	(SUSP. MPS)		

AUBA09

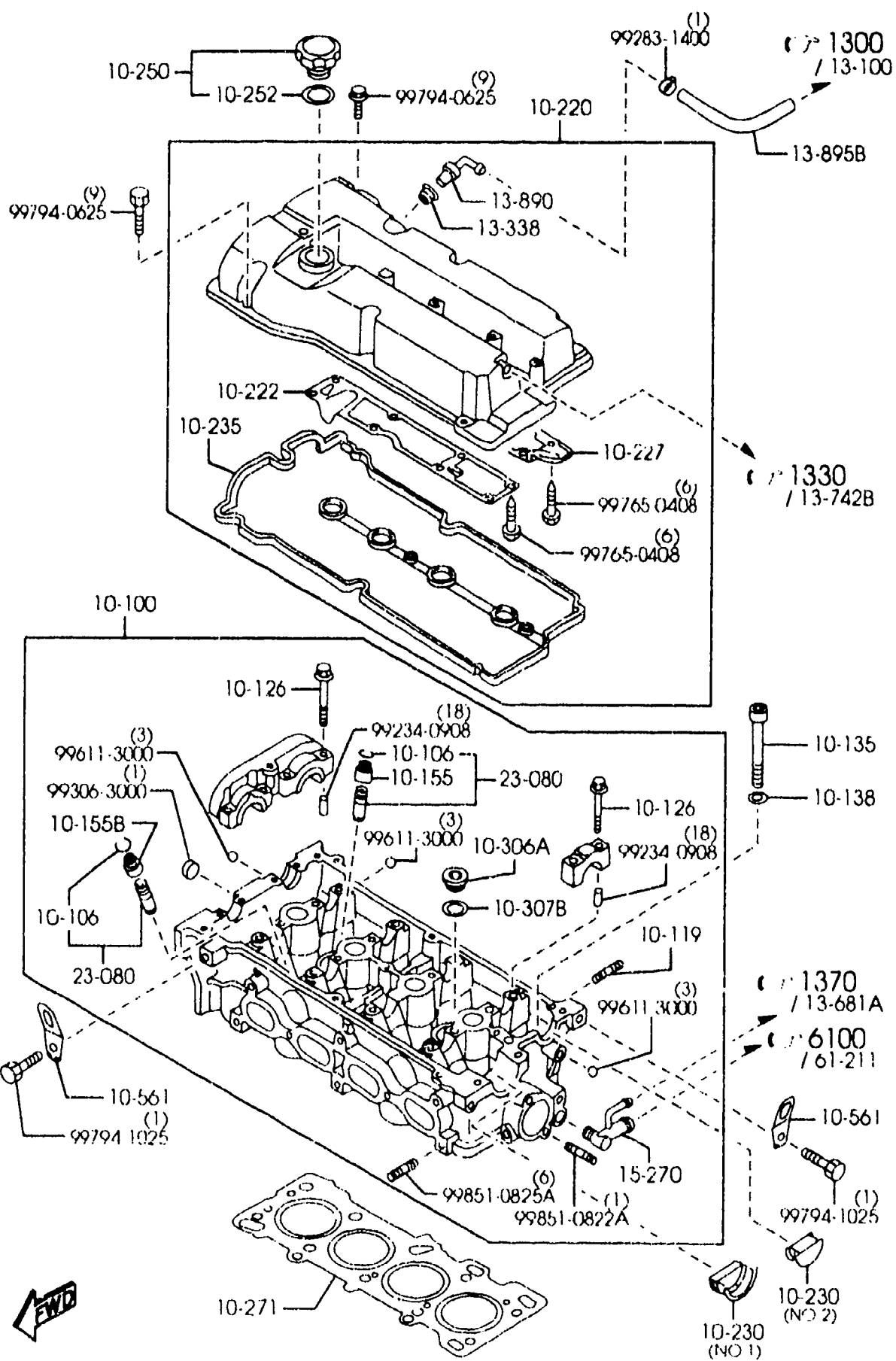
(2B56610)

CAT. AUBA09-02

2001-07

1010AA CYLINDER HEAD & COVER
(1600CC)

1010AA-1 CYLINDER HEAD & COVER
(1600CC)



PART NO	QTY	MODEL/RESTRICTION	MODEL/RESTRICTION	MODEL/RESTRICTION	FROM-TO
10-100	1	HEAD, CYLINDER	CULASSE		-1319
ZL01-10-100C A (ZL01-10-100D)	1				1319-
ZL01-10-100D	1				
10-106	32	CLIP, VALVE GUIDE	ATTACHE, GUIDE CLAPE		
B660-10-106					
10-119	8	STUD	GOUJON		
FE4J-13-146					
10-126	20	BOLT, CAMSHAFT CAP	BOULON, CAPSULE ARBRE CAME		
KL02-10-126					
10-135	10	BOLT, CYLINDER HEAD	BOULON, CULASSE		
ZL01-10-135					
10-138	10	WASHER, PLAIN CYL. HE AD	RONDELLE		
B630-10-138A					
10-155	8	SEAL, VALVE	JOINT, QUEUE SOUPE		
KL01-10-155		NOK	NOK		
10-155B	8	SEAL, VALVE	JOINT, QUEUE SOUPE		
KL02-10-155		NOK	NOK		
10-220	1	COVER, CYLINDER HEAD	CACHE, CULBUTEUR		
ZL01-10-210A					
10-222	1	PLATE, OIL BAFFLE	PLAQUE D'ARRET D'HUI LE		
Z505-10-222		HIROSHIMA ALUMI.	HIROSHIMA ALUMI.		
10-227	1	PLATE, BAFFLE	DEFLECTEUR		
Z501-10-227					
10-230	1 (ILLUST. NO.1)	COVER, SEAL	CACHE		
ZL01-10-231					
Z505-10-231A	1 (ILLUST. NO.2)				-1319
1319 BJ22* -447246					

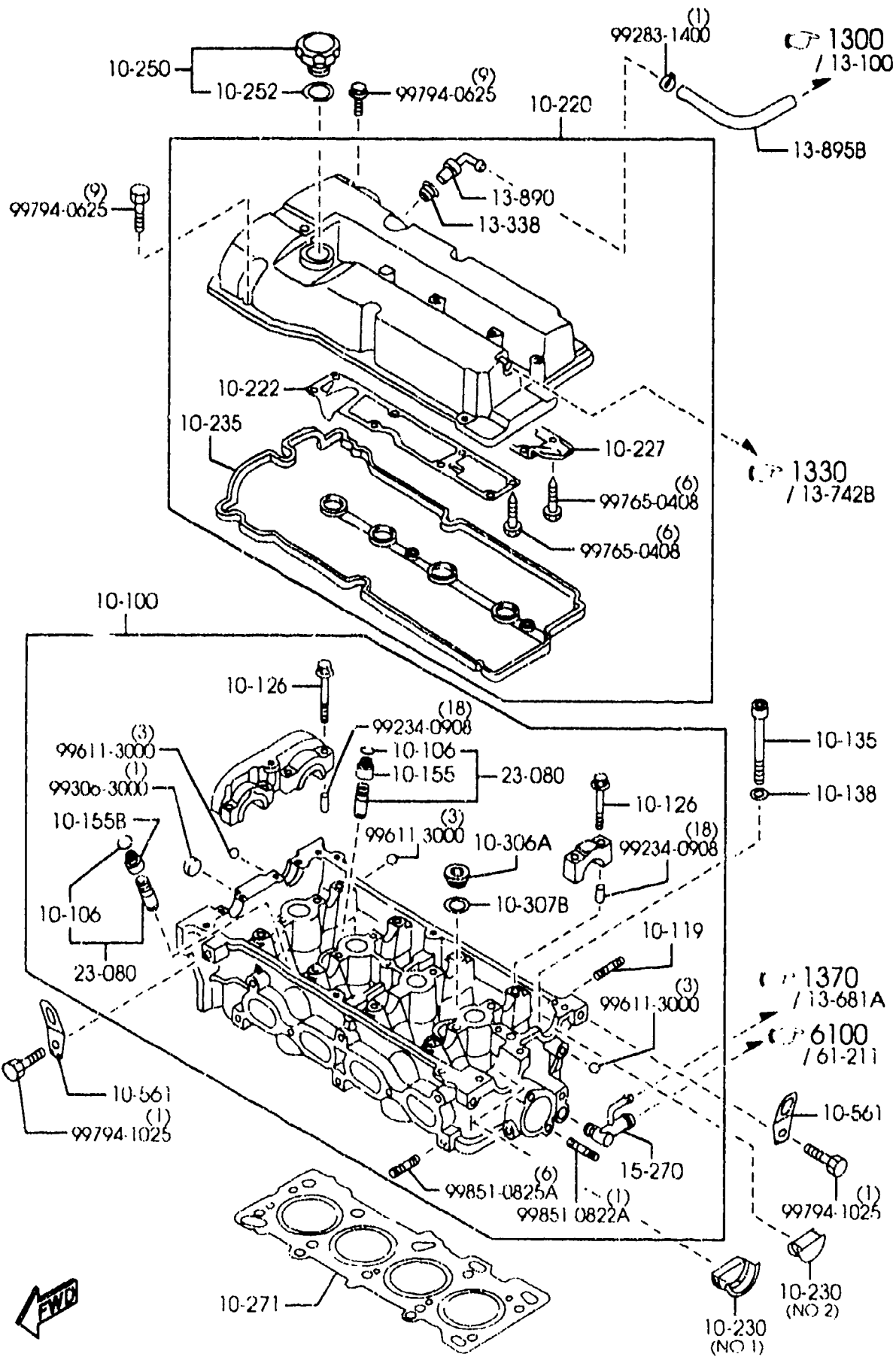
AUBA09

CAT. AUBA09-02

2001-07

1010AA CYLINDER HEAD & COVER
(1600CC)

1010AA-2 * CYLINDER HEAD & COVER
(1600CC)



PART NO.	QTY	MODEL/RESTRICTION	MODEL/RESTRICTION	MODEL/RESTRICTION	FROM-TO
10-235		GASKET, HEAD COVER	JOINT DE CULASSE		
ZL01-10-235	1				
10-250		CAP, OIL FILLER	BOUCHON, REMPLIS. HUILE		
0453-10-250A	1				
10-252		GASKET	JOINT		
0324-10-252	1				
10-271		GASKET, CYLINDER HEAD	JOINT DE CULASSE		
ZL01-10-271A	1				
10-306A		PLUG, BLIND	BOUCHON		
Z501-10-C05A	2				
10-307B		GASKET, TOP DECK	JOINT, PONT SUP.		
Z501-10-307	2				
10-561		HANGER, ENGINE	CROCHET, MOTEUR		
B660-10-561	2				
13-338		SEAL, RUBBER	CAOUTCHOUC D'ETANCHEITE		
E301-13-338A	1				
13-890		VALVE, P.C.V.	SOUPAPE P.C.V.		
B541-13-890A	1				
13-895B		HOSE, P.C.V.	FLEXIBLE, P.C.V.		
Z5A6-13-895	1				
15-270		PIPE, WATER BY PASS	TUYU DE DERIVATION D'EAU		
B6S7-15-270	1				
23-080		GUIDE, VALVE	GUIDE DE SOUPAPE		
FSY1-10-280	8				

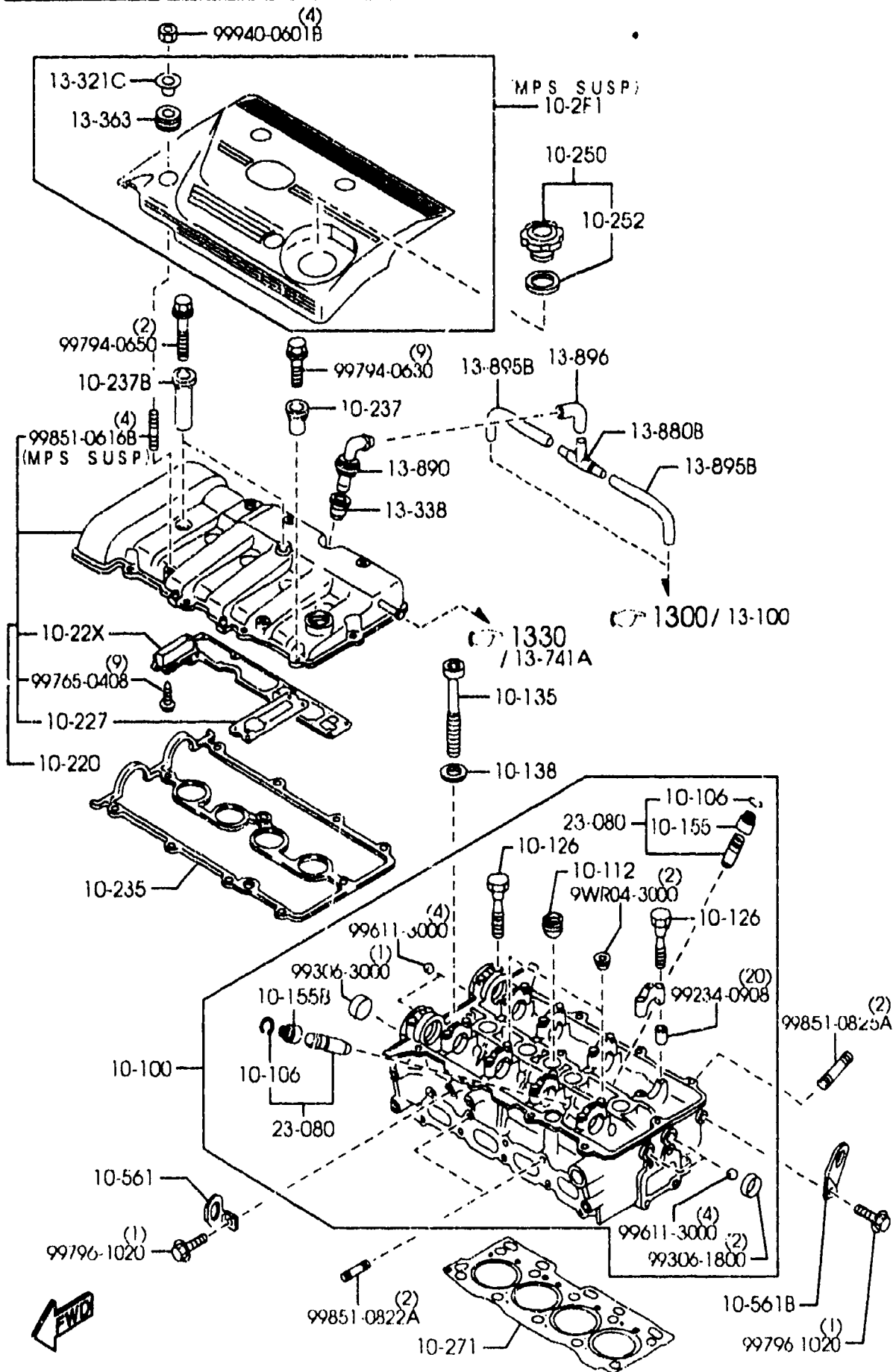
AUBA09

(2B42680)

CAT. AUBA09-02

2001-07

1010AB CYLINDER HEAD & COVER
(2000CC)



1010AB-1 CYLINDER HEAD & COVER
(2000CC)

PART NO.	QTY	MODEL/RESTRICTION	MODEL/RESTRICTION	MODEL/RESTRICTION	FROM-TO
10-100	1	HEAD,CYLINDER	CULASSE		
FS7N-10-100	1				
10-106	16	CLIP,VALVE GUIDE	ATTACHE, GUIDE CLAPE		
B660-10-106	16				
10-112	1	PLUG,BLIND	BOUCHON BORGNE		
FS01-10-112	1				
10-126	20	BOLT,CAMSHAFT CAP	BOULON,CAPSULE ARBRE CAME		
KL02-10-126	20				
10-135	10	BOLT,CYLINDER HEAD	BOULON,CULASSE		
FS01-10-135	10				
10-138	10	WASHER,PLAIN CYL. HE	RONDELLE		
FS01-10-138	10				
10-155	8	SEAL,VALVE	JOINT,QUEUE SOUPAPE		
KL01-10-155	8	NOK	NOK		
10-155B	8	SEAL,VALVE	JOINT,QUEUE SOUPAPE		
KL02-10-155	8	NOK	NOK		
10-2F1	1	PLATE,PLUG HOLE	PLAQUE,TROU CONTACT		
FS9N-10-2F0	1	(MPS SUSP)	(SUSP.MPS)		
10-22X	1	PLATE,OIL BAFFLE-IN.	PLAQUE,CHICANE HUILE		
FS01-10-22XA	1	SIDE	-INT.		
10-220	1	COVER,CYLINDER HEAD	CACHE, CULBUTEUR		
FP85-10-220A	1	(SPORT SUSP)	(SUSP. SPORTIVE)		
FS2V-10-220	1	(MPS SUSP)	(SUSP.MPS)		
10-227	1	PLATE,BAFFLE	DEFLEC'EUR		
FS01-10-227A	1				
10-235	1	GASKET,HEAD COVER	JOINT DE CULASSE		
FSD7-10-235	1				

AUBA09

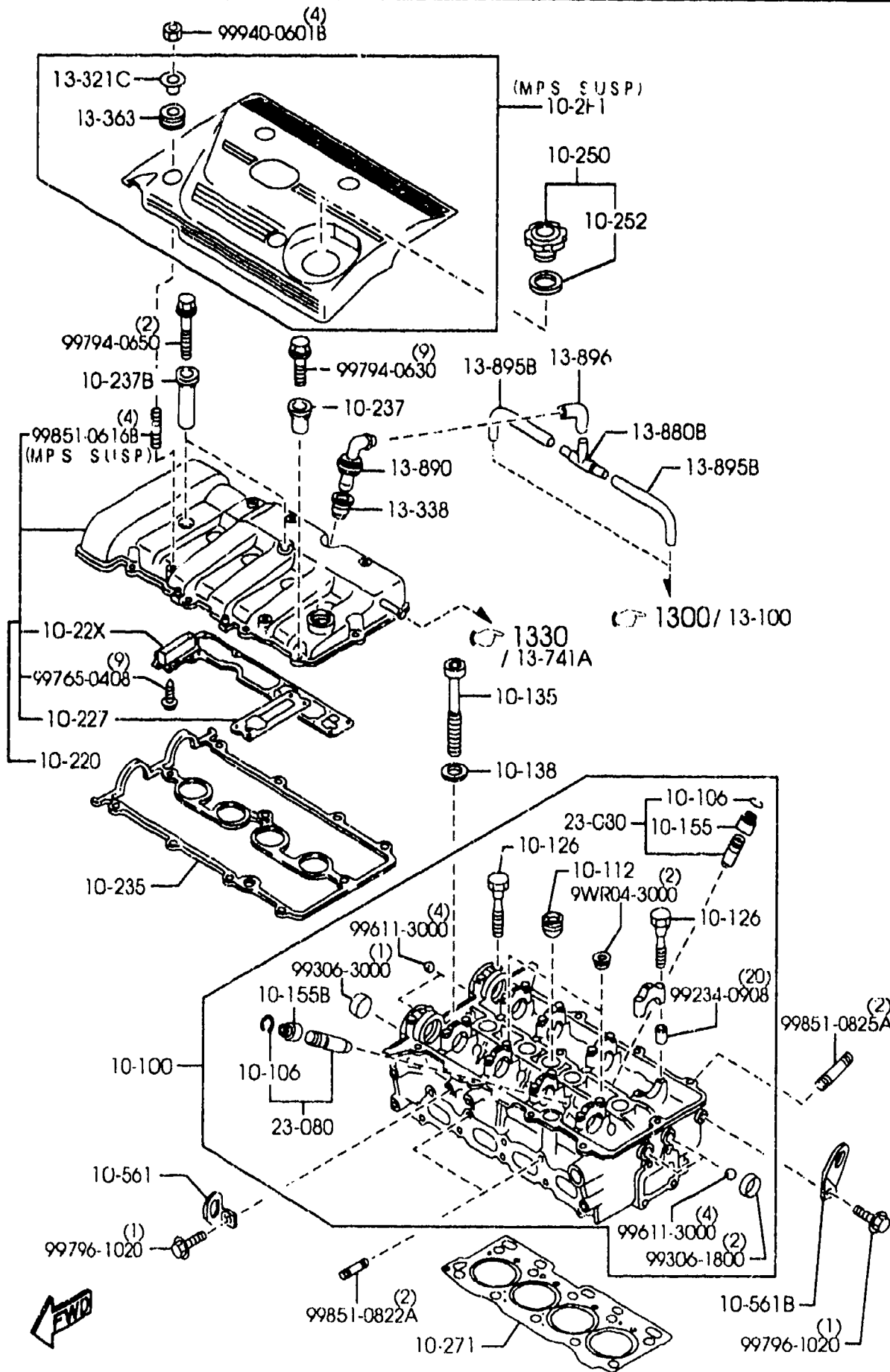
(2B56620)

CAT. AUBA09-02

2001-07

1010AB CYLINDER HEAD & COVER
(2000CC)

1010AB-2 CYLINDER HEAD & COVER
(2000CC)



PART NO	QTY	MODEL/RESTRICTION	MODEL/RESTRICTION	MODEL/RESTRICTION	FROM-TO
10-237		WASHER, SEALING-HEAD COVER	RONDELLE D'ETANCHEITE		
FS01-10-237A	9				
10-237B		WASHER, SEALING	RONDELLE D'ETANCHEITE		
KL01-10-243A	2				
10-250		CAP, OIL FILLER	BOUCHON, REMPLIS. HUILE		
0453-10-250A	1				
10-252		GASKET	JOINT		
0324-10-252	1				
10-271		GASKET, CYLINDER HEAD	JOINT DE CULASSE		
FSH9-10-271	1				
10-561		HANGER, ENGINE	CROCHET, MOTEUR		
FS01-10-561	1				
10-561B		HANGER, ENGINE-REAR	ANNEAU DE SUSP. AR. MOTEUR		
FS01-10-566A	1				
13-321C		SPACER	RONDELLE		
KJ01-13-321	4	(MPS SUSP)	(SUSP. MPS)		
13-338		SEAL, RUBBER	CAOUTCHOUC D'ETANCHEITE		
E301-13-338A	1				
13-363		RUBBER, INSULATION	CAOUTCHOUC ISOLANT		
KJ01-13-363A	4	(MPS SUSP)	(SUSP. MPS)		
13-880B		CONNECTOR	RACCORD		
FS01-13-897	1				
13-890		VALVE, P.C.V.	SOUPAPE P.C.V.		
B541-13-890A	1				
13-895B		HOSE, P.C.V.	FLEXIBLE, P.C.V.		
FS01-13-895A	2				
13-896		HOSE, P.C.V.	TUYAU, SOUP. COMM. PARTIE		
FS01-13-896A	1				

AUBA09

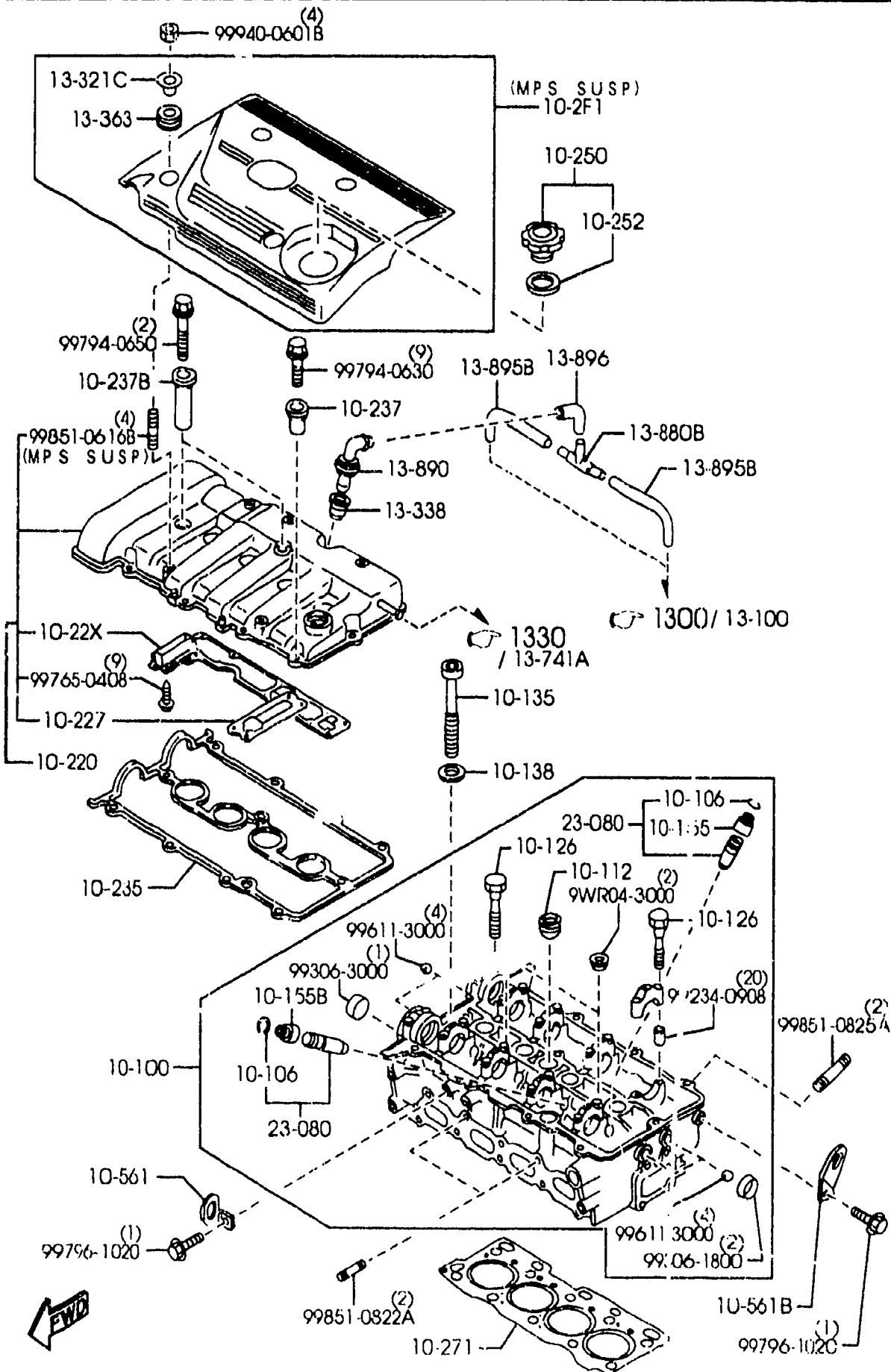
(2B56620)

CAT. AUBA09-02

2001-07

1010AB CYLINDER HEAD & COVER
(2000CC)

1010AB-3 * CYLINDER HEAD & COVER
(2000CC)



PART NO.	QTY	MODEL./RESTRICTION	MODEL./RESTRICTION	MODEL./RESTRICTION	FROM-TO
23-080		GUIDE VALVE	GUIDE DE SOUPEPE		
FSY1-10-280	16				

AUBA09

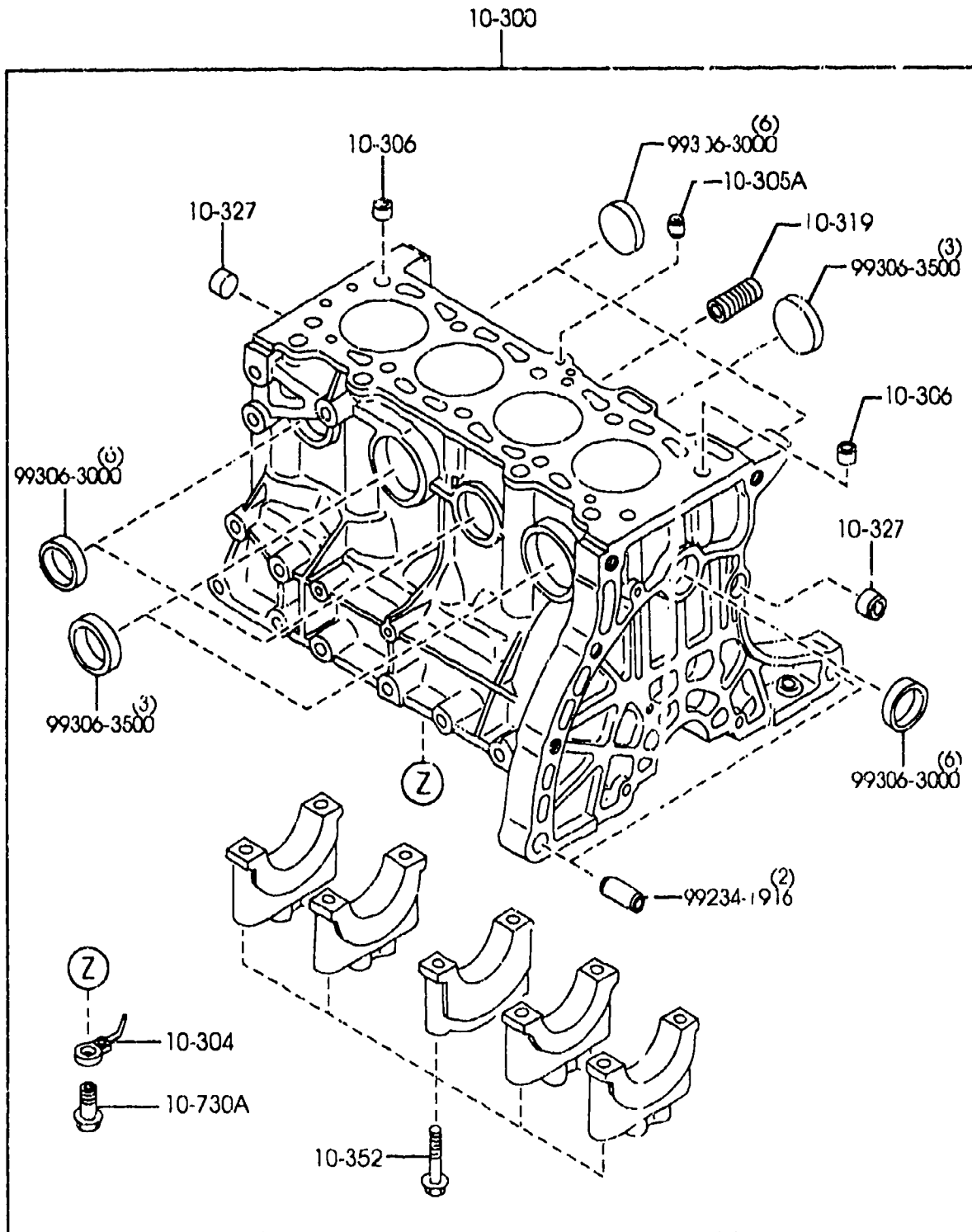
(2B56620)

CAT. AUBA09-02

2001-07

1030AA CYLINDER BLOCK
(1600CC)

1030AA-1 * CYLINDER BLOCK
(1600CC)



PART NO.	QTY	MODEL/RESTRICTION	MODEL/RESTRICTION	MODEL/RESTRICTION	FROM-TO
10-300		BLOCK, CYLINDER	BLOC, CYLINDRES		
ZL01-10-300A	1				
10-304		JET, OIL	GICLEUR D'HUILE		
B060-10-580B	4				
10-305A		PLUG	BOUCHON		
B366-10-305	1				
10-306		PIN, TUBULAR	RONDELLE TUBULAIRE		
B630-10-306	2				
10-319		JOINT	RACCORD		
FE2R-10-319	1				
10-327		PLUG, BLIND	PASTILLE		
0221-10-327	2				
10-352		BOLT, CRANKSHAFT CAP	BOULON		
B630-10-352	10				
10-730A		VALVE, OIL JET	SOUPAPE, GICLEUR D'HUILE		
SE01-10-730	4				



AUBA09

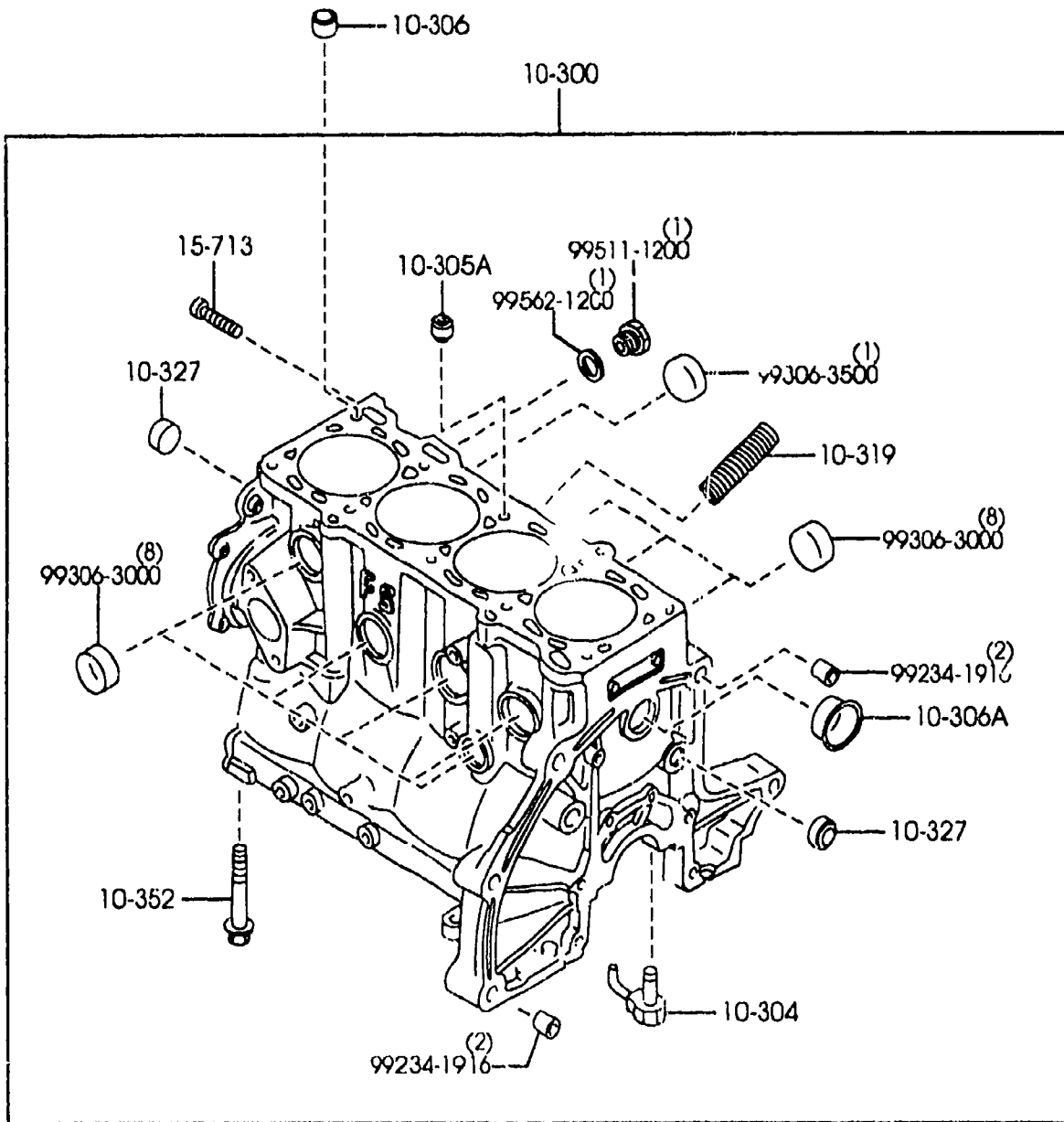
(2B10880)

CAT. AUBA09-02

2001-07

1030AB CYLINDER BLOCK
(2000CC)

1030AB-1 * CYLINDER BLOCK
(2000CC)

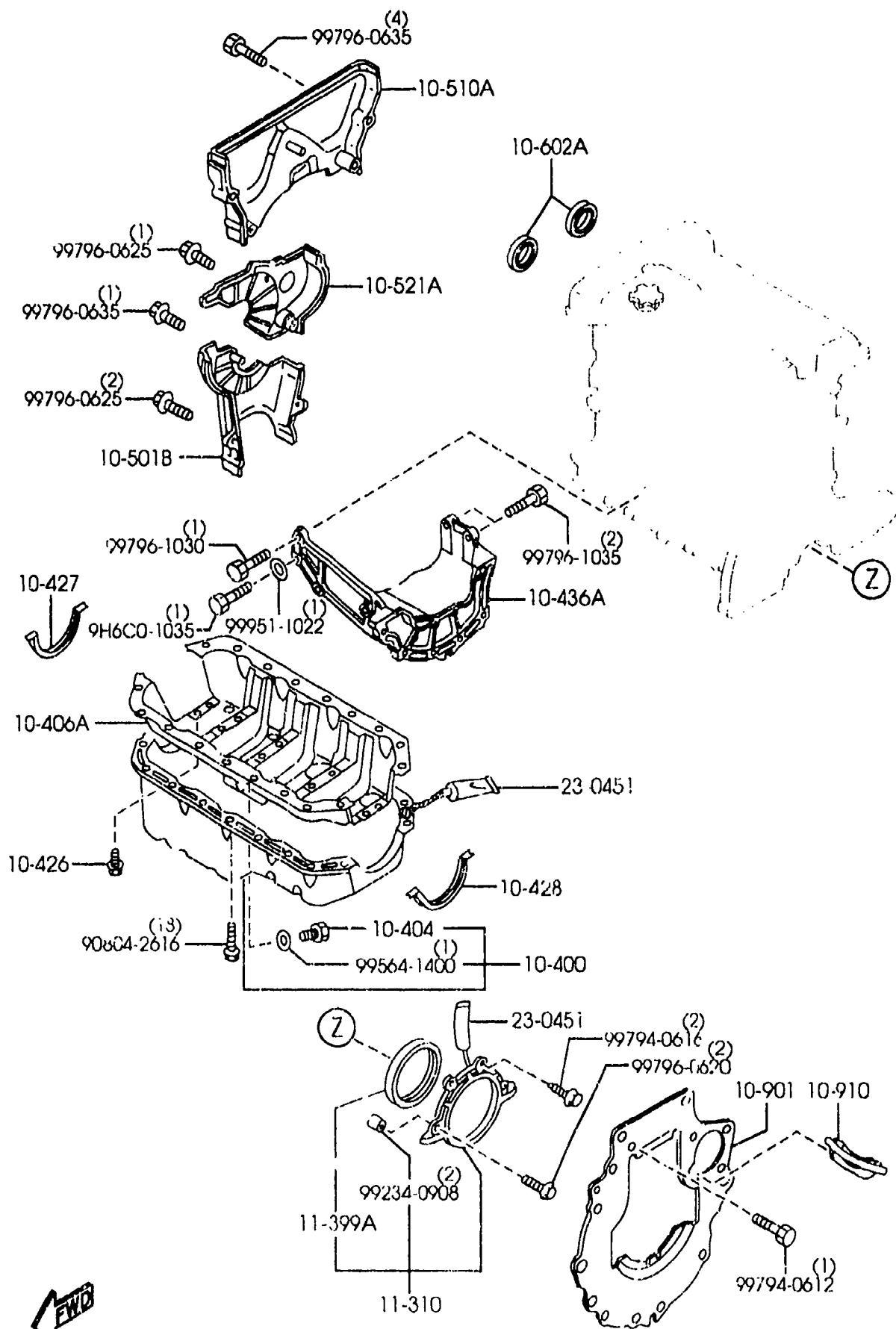


PART NO.	QTY	MODEL/RESTRICTION	MODEL/RESTRICTION	MODEL/RESTRICTION	FROM-TO
10-300		BLOCK, CYLINDER	BLOC, CYLINDRES		-1129
FS01-10-300M AN(FS01-10-300N)	1				
FS01-10-300N	1				1129-
10-304		JET, OIL	GICLEUR D'HUILE		
FS01-10-580A	4				
10-305A		PLUG	BOUCHON		
B366-10-305	1				
10-306		PIN, TUBULAR	RONDELLE TUBULAIRE		
B630-10-306	2				
10-306A		PLUG, BLIND	BOUCHON		
G601-10-C05	1				
10-319		JOINT	RACCORD		
FS01-10-319	1				
10-327		PLUG, BLIND	PASTILLE		
0221-10-327	2				
10-352		BOLT, CRANKSHAFT CAP	BOULON		
FS01-10-352	10				
15-713		SET PIN, SPRING	AXE DE FIXATION RESSORT		
F801-15-713	1				

1129 BJ22* -429123



1040AA OIL PAN & TIMING COVER
(1600CC)



1040AA-1 OIL PAN & TIMING COVER
(1600CC)

PART NO.	QTY	MODEL/RESTRICTION	MODEL/RESTRICTION	MODEL/RESTRICTION	FROM-TO
10-400	1	PAN,OIL	CARTER D'HUILE		
B366-10-400A					
10-404	1	PLUG,DRAIN	BOUCHON DE VIDANGE		
ME03-10-404					
10-406A	1	PLATE,OIL BRFFLE	PLATEAU,CHICA. HU.-B .CYL.		
ZL01-10-40YA					
10-426	8	BOLT	BOULON		
B541-10-426B					
10-427	1	GASKET,OIL PAN NON ASBESTOS	GARNITURE,CARTER HUI LE NON ASBESTOS		
B541-10-427					
10-428	1	GASKET,OIL PAN NON ASBESTOS	GARNITURE,CARTER HUI LE NON ASBESTOS		
D541-10-428					
10-436A	1	STIFFEN:R	RAIDISSEUR		
ZL01-10-430A					
10-501B	1	COVER,TIMING BELT-LW R DAIKYOH	COUVERCLE INF.COURRO IR DI DAIKYOH		
B660-10-501E					
10-510A	1	COVER(UP.),TIMING CH AIN DAIKYOH	COUVERCLE(SUP),CHA. DIST. DAIKYOH		
Z501-10-511					
10-521A	1	COVER,TIMING BELT-C. DAIKYOH	COUVERCLE,COURROIE T EMPS DAIKYOH		
B66F-10-521					
10-602A	2	SEAL,OIL	ARRET D'HUILE		
FS05-10-602A					
10-901	1 (AT)	PLATE,END	PLAQUE EN BOUT (B.V.AUTOM)		
ZL02-10-901B					
ZL04-10-901C	1 (MT)		(B.V.MANU)		

AUBA09

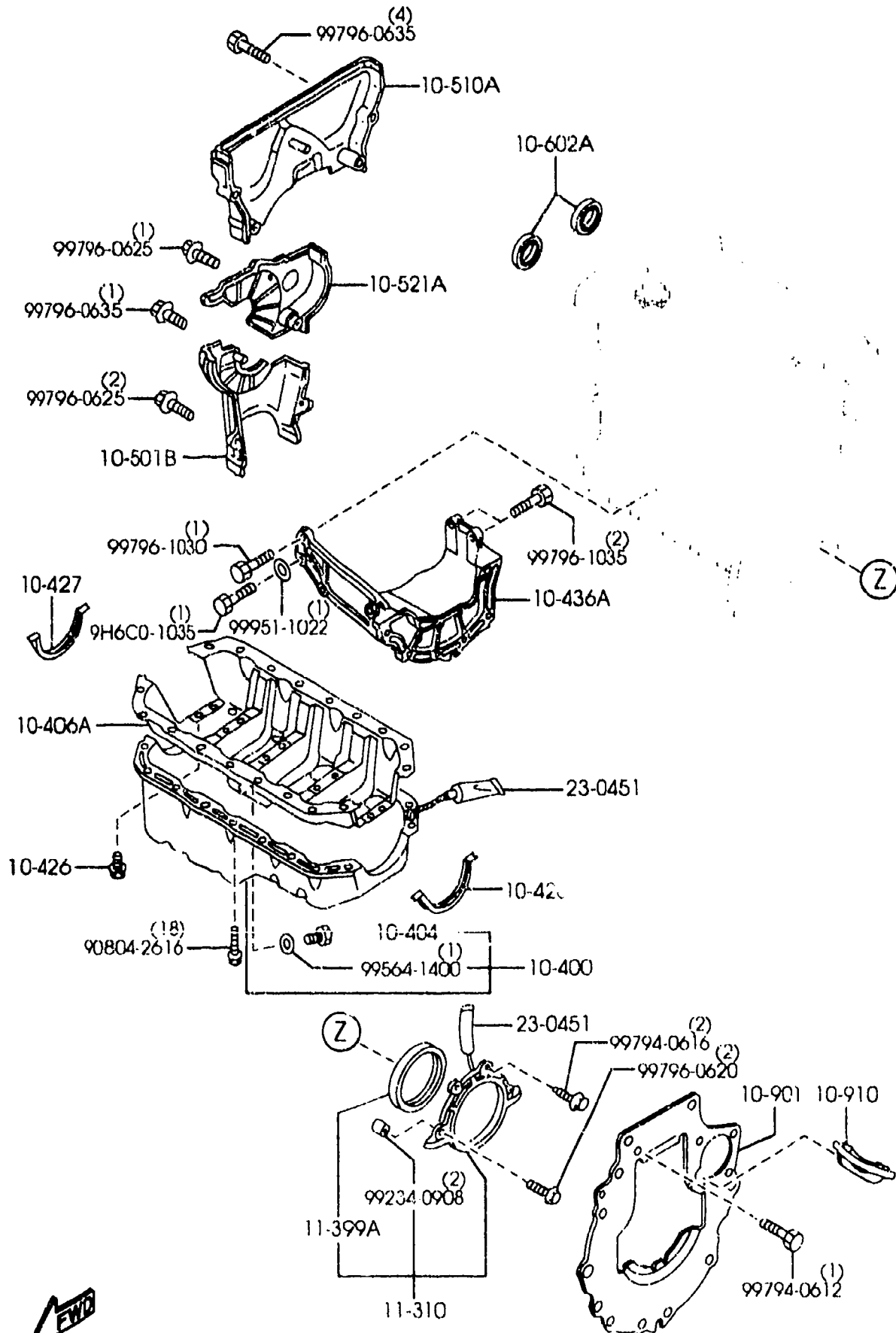
(2B42720)

CAT. AUBA99-02

2001-07

1040AA OIL PAN & TIMING COVER
(1600CC)

1040AA-2 * OIL PAN & TIMING COVER
(1600CC)



PART NO.	QTY	MODEL/RESTRICTION	MODEL/RESTRICTION	MODEL/RESTRICTION	FROM-TO
10-910 BP4X-10-903	1	COVER, END PLATE	COUVERCLE, PLAQUE BOU T		
11-310 B366-11-310C	1	COVER, REAR RYOBI	COUVERCLE AR RYOBI		
11-399A BP05-11-312	1	SEAL, OIL-CRANKSHAFT	ARRET D'HUILE		
23-0451 B527-77-739	1	TUBE, SILICON	TUBE DE SILICONE		

AUBA09

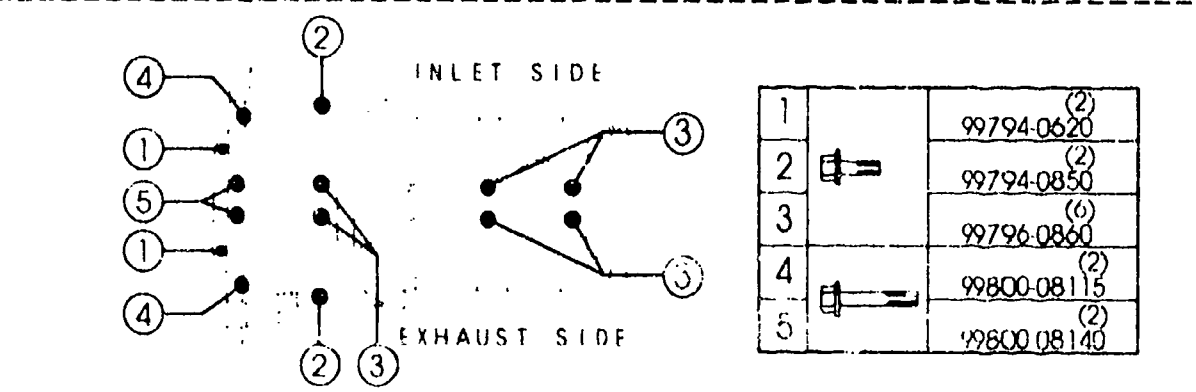
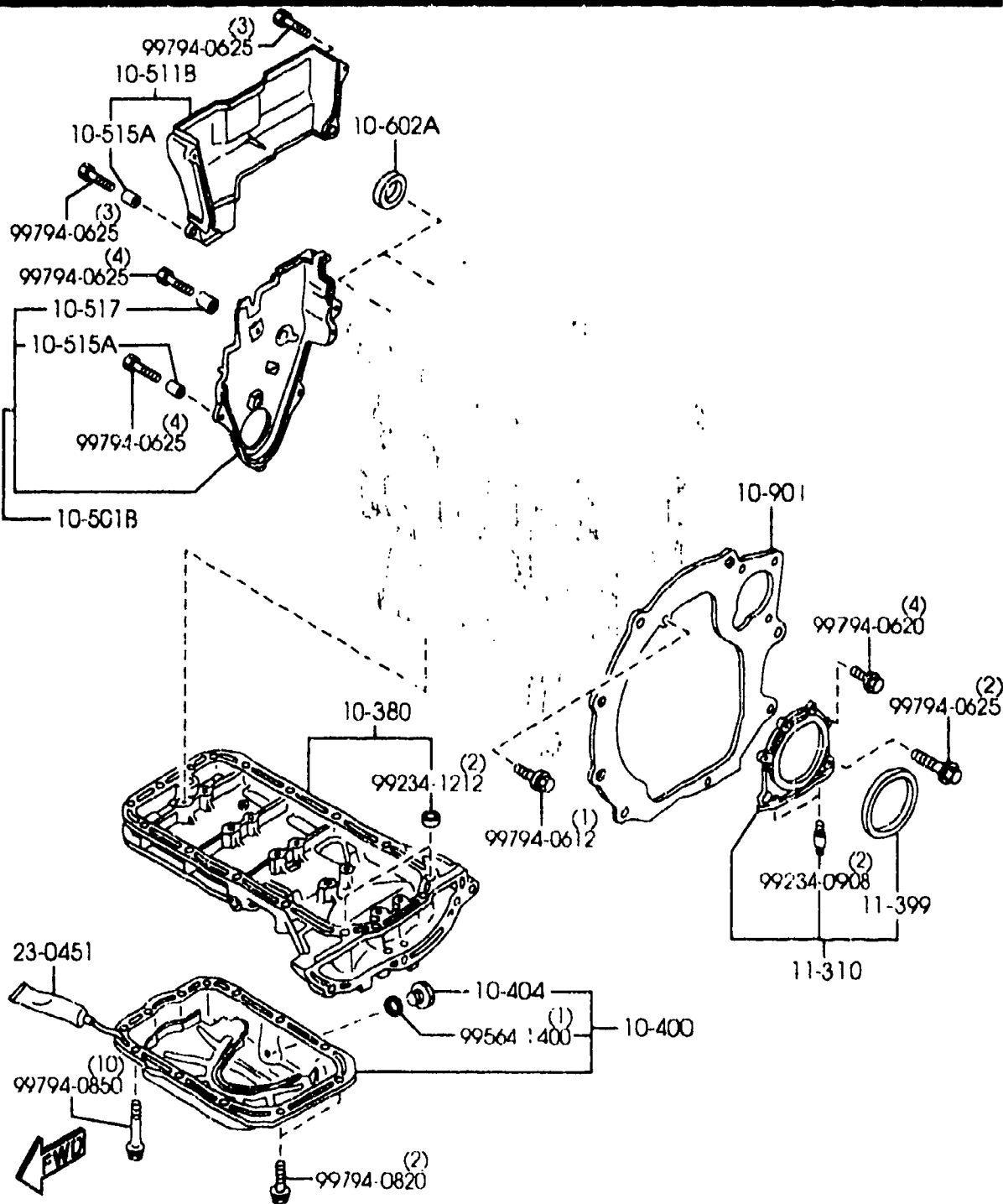
(2B42720)

CAT. AUBA09-02

2001-07

1040AB OIL PAN & TIMING COVER
(2000CC)

1040AB-1 * OIL PAN & TIMING COVER
(2000CC)



PART NO.	QTY	MODEL/RESTRICTI	MODEL/RESTRICTION	MODEL/RESTRICTION	FROM-TO
10-380		BLOCK, OIL PAN UP.	CARTER HUILE		
FS01-10-380F	1 (MT)		(B.V.MANU)		
FS31-10-380G	1 (AT)		(B.V.AUTOM)		
10-400		PAN, OIL	CARTER D'HUILE		
FS59-10-400A	1				
10-404		PLUG, DRAIN	BOUCHON DE VIDANGE		
HE03-10-404	1				
10-501B		COVER, TIMING BELT-LW	COUVERCLE INF. COURRO		
FS01-10-500V	1		IR DI		
10-511B		COVER, TIMING BELT-UP	COUVERCLE SUP.		
FS01-10-520C	1				
10-515A		INSERT, T. BELT COVER	BUSELURE		
FS01-10-515	7				
10-517		INSERT	BUSELURE		
FS01-10-517	1				
10-602A		SEAL, OIL	ARRET D'HUILE		
FS05-10-602A	2				
10-901		PLATE, END	PLAQUE EN BOUT		
FP50-10-901	1 (AT)		(B.V.AUTOM)		
FS01-10-901	1 (MT)		(B.V.MANU)		
11-310		COVER, REAR	COUVERCLE AR		
FS01-11-310A	1				
11-399		SEAL, OIL	ARRET D'HUILE		
FS01-11-399	1				
23-0451		TUBE, SILICON	TUBE DE SILICONE		
8527-77-739	1				

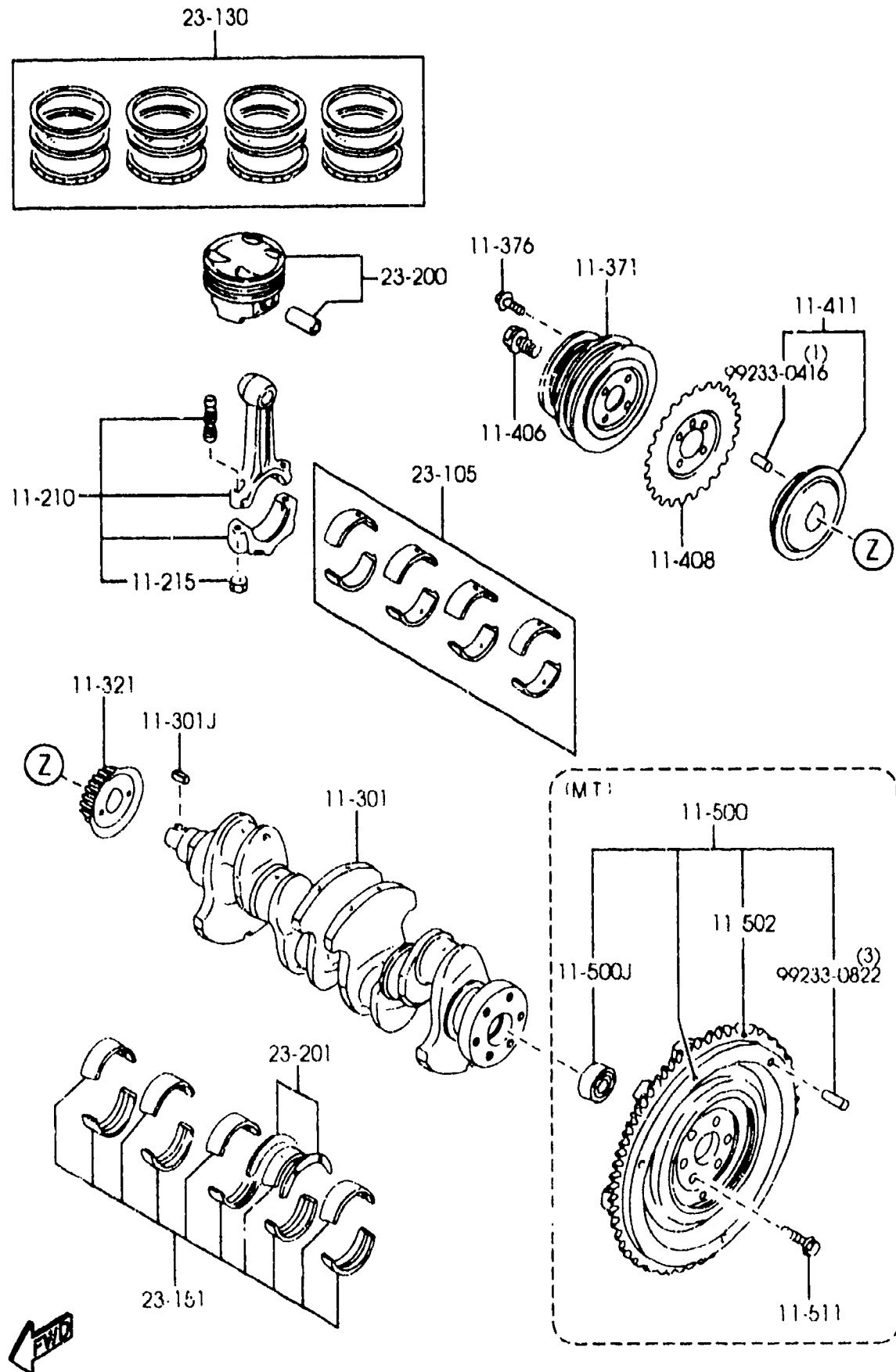
AUBA09

(2B20300)

CAT. AUBA09-02

2001-07

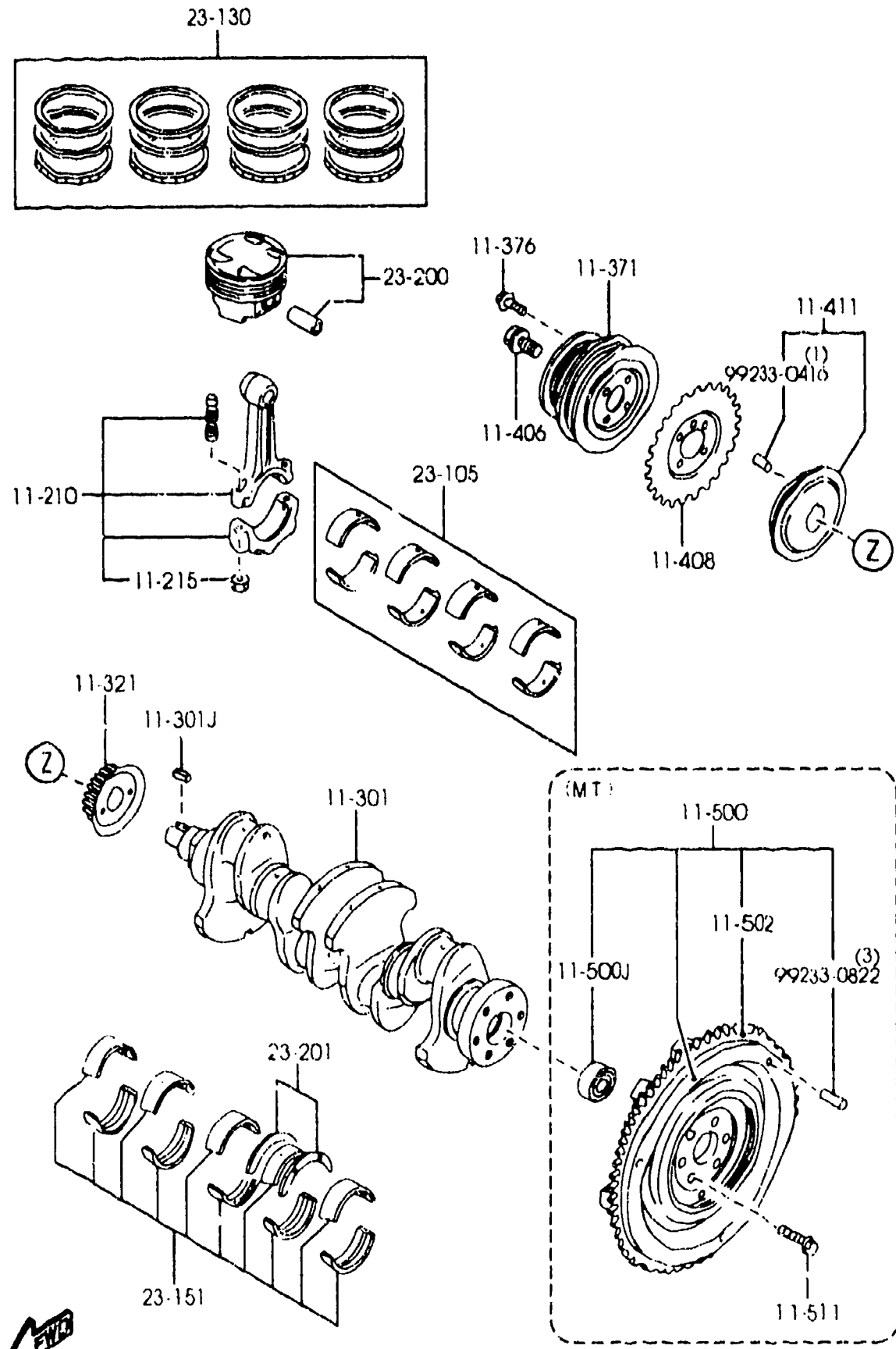
1100AA PISTON, CRANKSHAFT & FLYWHEEL
(1600CC)



1100AA-1 PISTON, CRANKSHAFT & FLYWHEEL
(1600CC)

PART NO.	QTY	MODEL/RESTRICTION	MODEL/RESTRICTION	MODEL/RESTRICTION	FROM-TO
11-210		ROD,CONNECTING	BIELLE		
B61K-11-210D	4				
11-215		NUT,CONNECTING ROD	ECROU,BIELLE		
B6S7-11-215A	8				
11-301		CRANKSHAFT	VILEBREQUIN		
B61K-11-300B	1				
11-301J		KEY,WOODRUFF-PULLEY	CLAVETTE		
B3C7-11-317	1				
11-321		PULLEY,TIMING BELT	POULIE,		
Z502-11-321	1				
11-371		PULLEY,CRANKSHAFT	POULIE		
B6BQ-11-401	1	NOK	NOK		
11-376		BOLT,PULLEY	BOULON,POULIE		
JF01-11-405A	4	OHSAKA RASHI (6X16)	OHSAKA RASHI (6X16)		
11-406		BOLT,LOCK-C.SHAFT PULLEY	BOULON,VERROU-POULIE VILB		
B3C7-11-406	1				
11-408		PLATE,CRANKSHAFT PULLEY	PLAQUE,VILEBREQUIN,CULVE		
ZM01-11-408	1				
11-411		BOSS,PULLEY	BOSSAGE,POULIE		
B6BF-11-400A	1				
11-500		WHEEL,FLY	VOLANT MOTEUR		
ZL27-11-500	1 (MT)		(B.V.MANU)		
11-500J		BEARING,BALL-FLY WHEEL	ROULEMENT A BILLES		
F801-11-303	1 (MT)		(B.V.MANU)		
11-502		GEAR,RING-FLY WHEEL	COURONNE, VOLANT MOTEUR		
B367-11-502	1	YOSHIWA (SUPPLIER IN SELECTION) (MT)	YOSHIWA (B.V.MANU)		

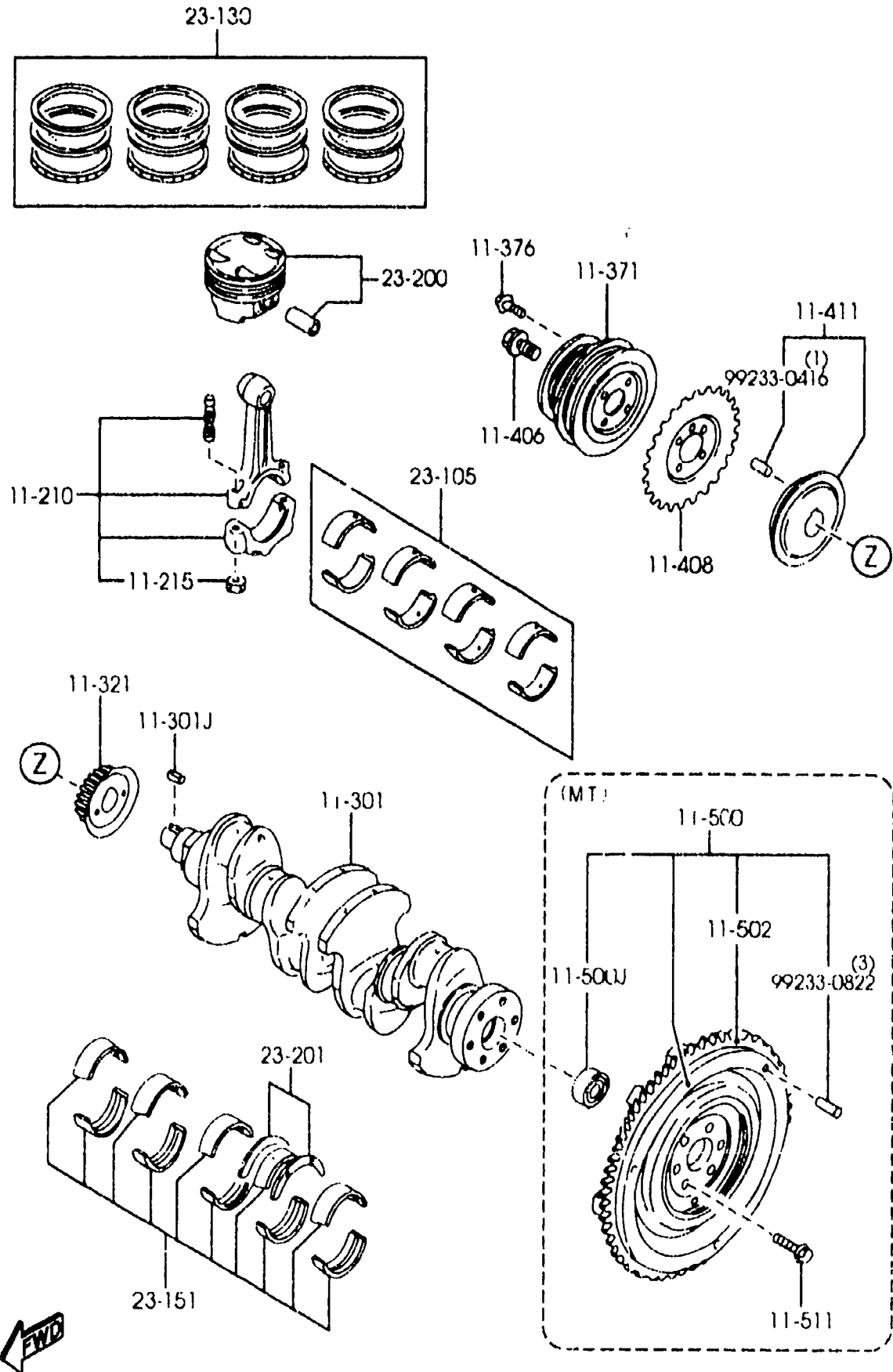
1100AA PISTON, CRANKSHAFT & FLYWHEEL
(1600CC)



1100AA-2 PISTON, CRANKSHAFT & FLYWHEEL
(1600CC)

PART NO.	QTY	MODEL/RESTRICTION	MODEL/RESTRICTION	MODEL/RESTRICTION	FROM-TO
CONT'D 0110-11-502	1	KANDA (SUPPLIER IN SELECTI ON) (MT)	KANDA (B.V.MANU)		
----- 11-511 -----		BOLT, LOCK-FLYWHEEL	BOULON DE BLOQUAGE		
F201-11-511A	6	(MT)	(B.V.MANU)		
----- 23-105 -----		METAL SET, CONN. ROD	JEU, COUSSINET DE BIE LLE STD.		
B6Y2-11-SE0A	1				
B6Y2-11-SFXA	1	O.S. 0.50	O.S. 0.50		
B6Y2-11-SFYA	1	O.S. 0.75	O.S. 0.75		
B6Y2-11-SFOA	1	O.S. 0.25	O.S. 0.25		
----- 23-130 -----		RING SET, PISTON	JEU, SEGMENTS DE PIST ON STD		
ZLY0-11-SC0	1	STD			
ZLY0-11-SDX	1	O.S. 0.50	O.S. 0.50		
ZLY0-11-SD0	1	O.S. 0.25	O.S. 0.25		
----- 23-151 -----		METAL SET, MAIN BRG.	JEU, COUSSINET PRINCI PAL STD.		
B6Y2-11-SG0	1	STD.			
B6Y1-11-SHX	1	O.S. 0.50	O.S. 0.50		
B6Y1-11-SHQ	1	O.S. 0.25	O.S. 0.25		
----- 23-200 -----		PISTON SET	JEU DE PISTON		
ZMY0-11-SAO	4	STD	STD		
ZMY0-11-SBX	4	O.S. 0.50	O.S. 0.50		
ZMY0-11-SBO	4	O.S. 0.25	O.S. 0.25		
----- 23-201 -----		METAL SET, THRUST	JEU, COUSSINET DE BUT EE STD.		
B6Y1-11-SJO	1	STD.			
B6Y1-11-SKX		O.S. 0.50	O.S. 0.50		

1100AA PISTON, CRANKSHAFT & FLYWHEEL
(1600CC)



1100AA-3 * PISTON, CRANKSHAFT & FLYWHEEL
(1600CC)

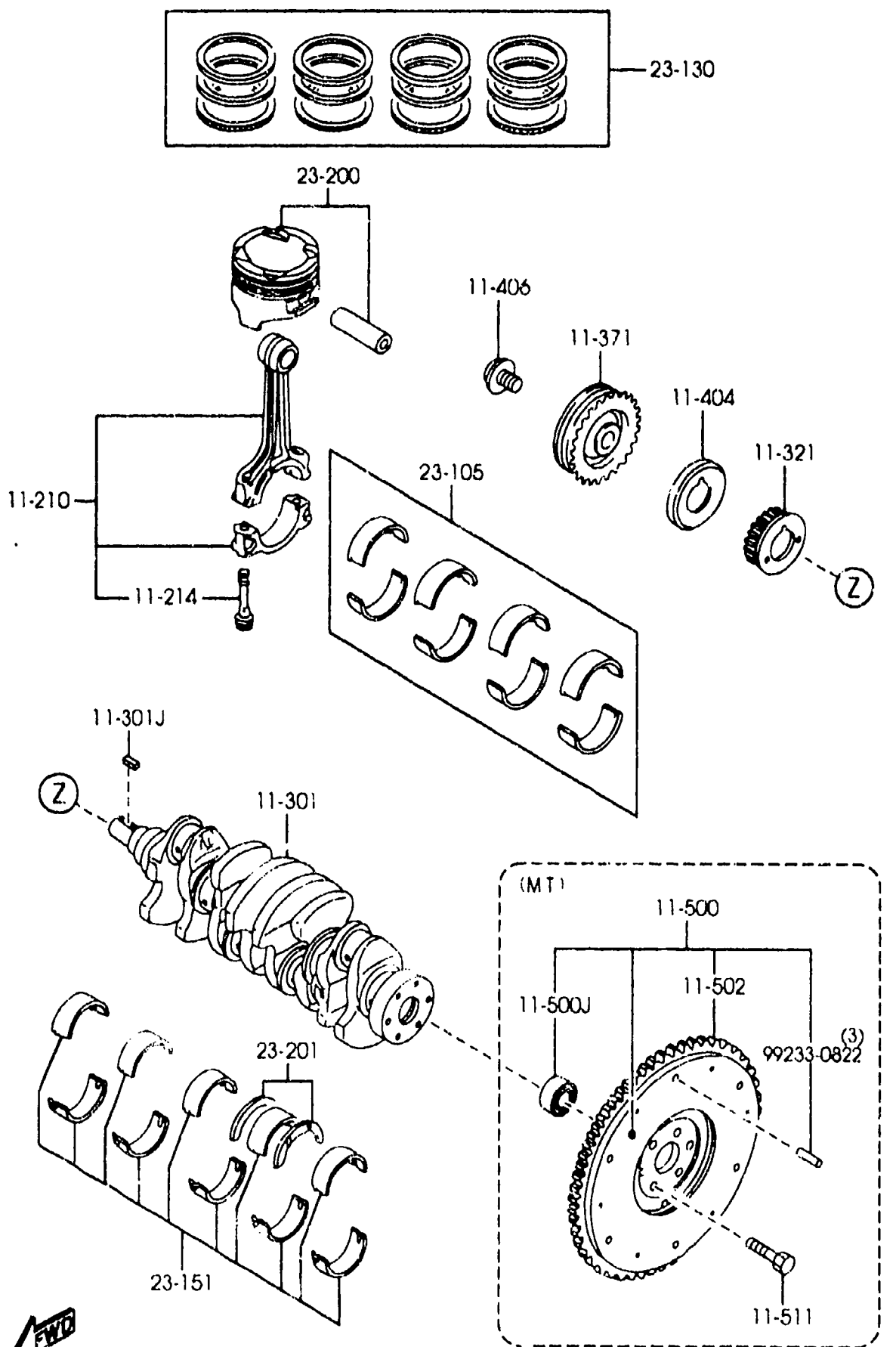
PART NO.	QTY	MODEL/RESTRICTION	MODEL/RESTRICTION	MODEL/RESTRICTION	FROM-TO
CONT'D					
	1				
B6Y1-11-SKY	1	O.S. 0.75	O.S. 0.75		
B6Y1-11-SK0	1	O.S. 0.25	O.S. 0.25		

AUBA09

(2E62950)

CAT. AUBA09-02

2001-07



PART NO.	QTY	MODEL/RESTRICTION	MODEL/RESTRICTION	MODEL/RESTRICTION	FROM-TO
11-210 FS01-11-210A	4	ROD,CONNECTING	BIELLE		
11-214 KL01-11-214A	8	BOLT,CONNECTING ROD	BOULON		
11-301 FS01-11-300D	1	CRANKSHAFT	VIEBREQUIN		
11-301J 9236-1525	1	KEY,WOODRUFF-PULLEY	CLAVETTE		
11-321 FS05-11-321	1	PULLEY,TIMING BELT	POULIE,		
11-371 FS88-11-400	1	PULLEY,CRANKSHAFT	POULIE		
11-404 FS01-11-404	1	PLATE,TIMING BELT GU IDE	PLAQUE,GUID.COURROIE .REGL		
11-406 FS01-11-406A	1	BOLT,LOCK-C.SHAFT PU LLEY	BOULON,VERROU-POULIE VILD		
11-500 FS01-11-500	1 (MT)	WHEEL,FLY	VOLANT MOTEUR		
11-500J F001-11-303	1 (MT)	BEARING,BALL-FLY WHE EL	ROULEMENT A BILLES		
11-502 B367-11-502	1	GEAR,RING-FLY WHEEL	COURONNE, VOLANT MOT EUR		
11-502 0110-11-502	1	YOSHIWA (SUPPLIER IN SELECTI ON) (MT)	YOSHIWA		
11-502 0110-11-502	1	KANDA (SUPPLIER IN SELECTI ON) (MT)	KANDA		
11-511 F201-11-511A	6 (MT)	BOLT,LOCK-FLYWHEEL	BOULON DE BLOQUAGE		



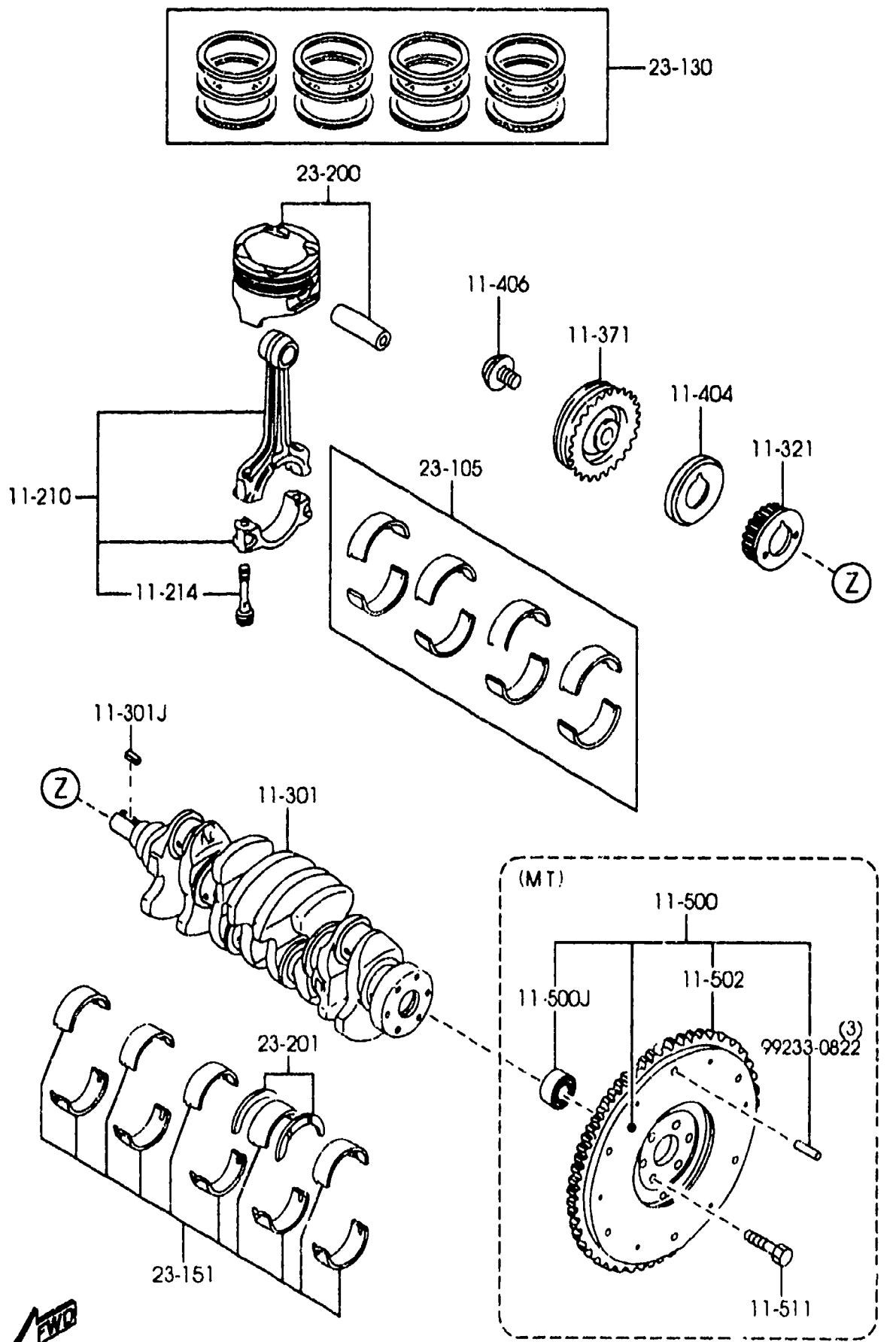
AUBA09

(2B53160)

CAT. AUBA09-02

2001-07

1100AB PISTON, CRANKSHAFT & FLYWHEEL
(2000CC)

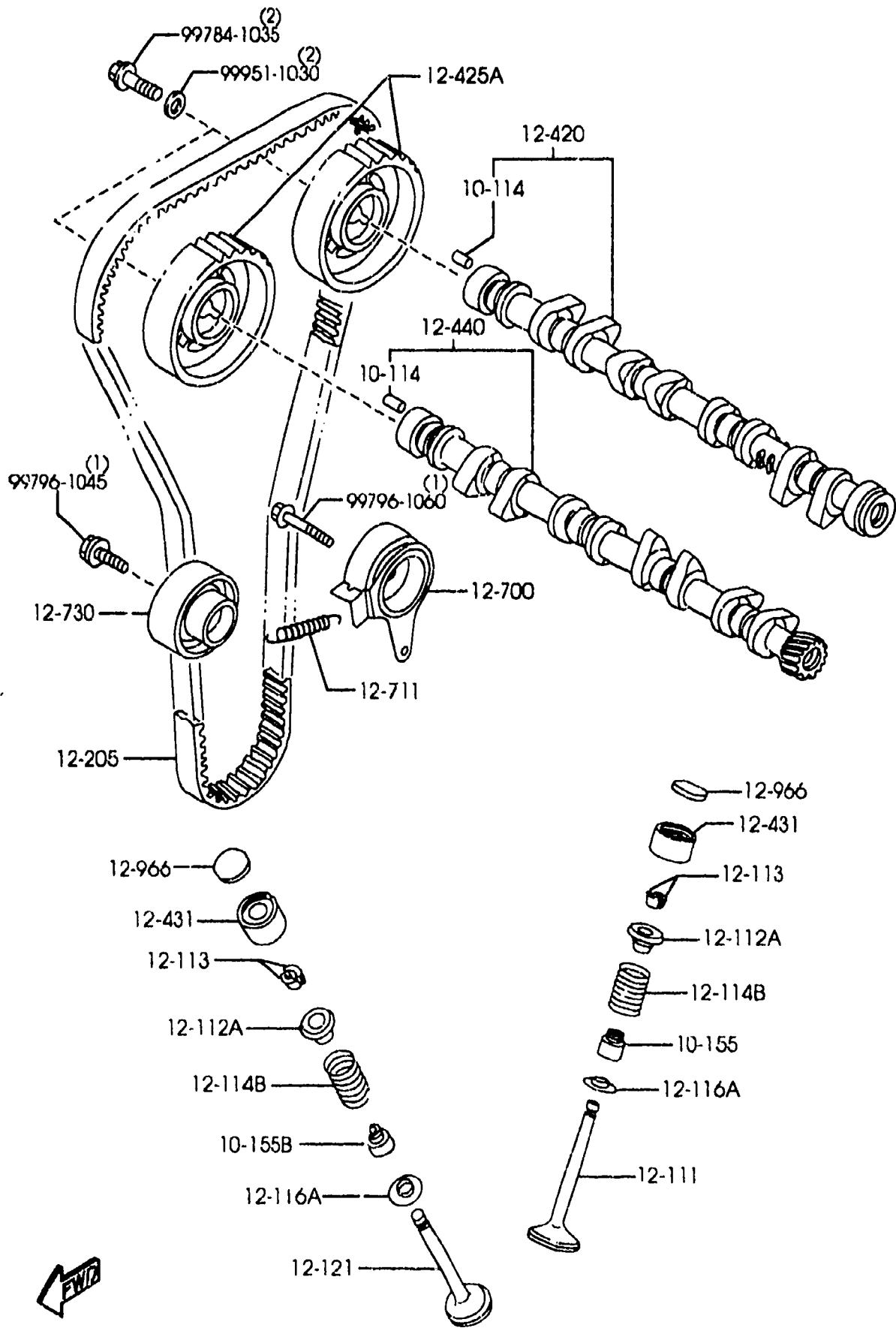


1100AB-2 * PISTON, CRANKSHAFT & FLYWHEEL
(2000CC)

PART NO.	QTY	MODEL/RESTRICTION	MODEL/RESTRICTION	MODEL/RESTRICTION	FROM-TO
23-105 FSY1-11-SEO	1	METAL SET, CONN. ROD STD.	JEU, COUSSINET DE BIE LIE STD.		
FSY1-11-SFX	1	O.S. 0.50	O.S. 0.50		
FSY1-11-SFO	1	O.S. 0.25	O.S. 0.25		
23-130 FSY2-11-SC0A	1	RING SET, PISTON STD.	JEU, SEGMENTS DE PIST ON STD.		
FSY2-11-SDXA	1	O.S. 0.50	O.S. 0.50		
FSY2-11-SD0A	1	O.S. 0.25	O.S. 0.25		
23-151 FSY1-11-SG0A	1	METAL SET, MAIN BRG. STD.	JEU, COUSSINET PRINCI PAL STD.		
FSY1-11-SH0	1	O.S. 0.25	O.S. 0.25		
23-200 FSY1-11-SA0D AN(FSY3-11-SA0)	4	PISTON SET STD	JEU DE PISTON STD		-1501
FSY1-11-SBXD AN(FSY3-11-SBX)	4	O.S. 0.50	O.S. 0.50		-1501
FSY1-11-SB0D AN(FSY3-11-SB0)	4	O.S. 0.25	O.S. 0.25		-1501
*FSY3-11-SA0	4	STD	STD		1501-
*FSY3-11-SBX	4	O.S. 0.50	O.S. 0.50		1501-
*FSY3-11-SB0	4	O.S. 0.25	O.S. 0.25		1501-
23-201 FSY1-11-SJ0	1	METAL SET, THRUST STD.	JEU, COUSSINET DE BUT EE STD.		
FSY1-11-SKX	1	O.S. 0.50	O.S. 0.50		
FSY1-11-SKY	1	O.S. 0.75	O.S. 0.75		
FSY1-11-SK0	1	O.S. 0.25	O.S. 0.25		

1501 BJ22* -467953

1200AA VALVE SYSTEM
(1600CC)



1200AA-1 VALVE SYSTEM
(1600CC)

PART NO.	QTY	MODEL/RESTRICTION	MODEL/RESTRICTION	MODEL/RESTRICTION	FROM-TO
10-114		PIN, SET-CAMSHAFT	BROCHE, JEU-ARBRE A CAMES.		
F801-10-114	2				
10-155		SEAL, VALVE	JOINT, QUEUE SOUPE		
KL01-10-155	8	NOK	NOK		
10-155B		SEAL, VALVE	JOINT, QUEUE SOUPE		
KL02-10-155	8	NOK	NOK		
12-111		VALVE, INLET	SOUPE D'ADMISSION		
ZL02-12-111	8				
12-112A		SEAT, VALVE SPG-UP.	FEUILLE SUP.,		
FS01-12-113A	16				
12-113		COTTER, VALVE-IN.	DEMI-CONE, SOUPE A DM.		
FS01-12-114	32				
12-114B		SPRING, VALVE	RESSORT, SOUPE		
ZL01-12-125	16				
12-116A		SEAT, VALVE SPG.-LWR	FEUILLE INF.,		
FS01-12-123	16				
12-121		VALVE, EXHAUST	SOUPE D'ECHAPPEMENT		
ZL02-12-121	8				
12-205		BELT, TIMING	COURROIE DE DISTRIBUTION		
Z502-12-205	1	UNITTA	UNITTA		
12-420		CAMSHAFT	ARBRE A CAMES		
ZL01-12-420	1				
12-425A		PULLEY, CAMSHAFT	POULIE, ARBRE A CAMES		
Z502-12-425	2				
12-431		TAPPET	POUSSOIR		
KJ01-12-183A	16	HIKARI SEIKOU (SUPPLIER IN SELECTION)	HIKARI SEIKOU		

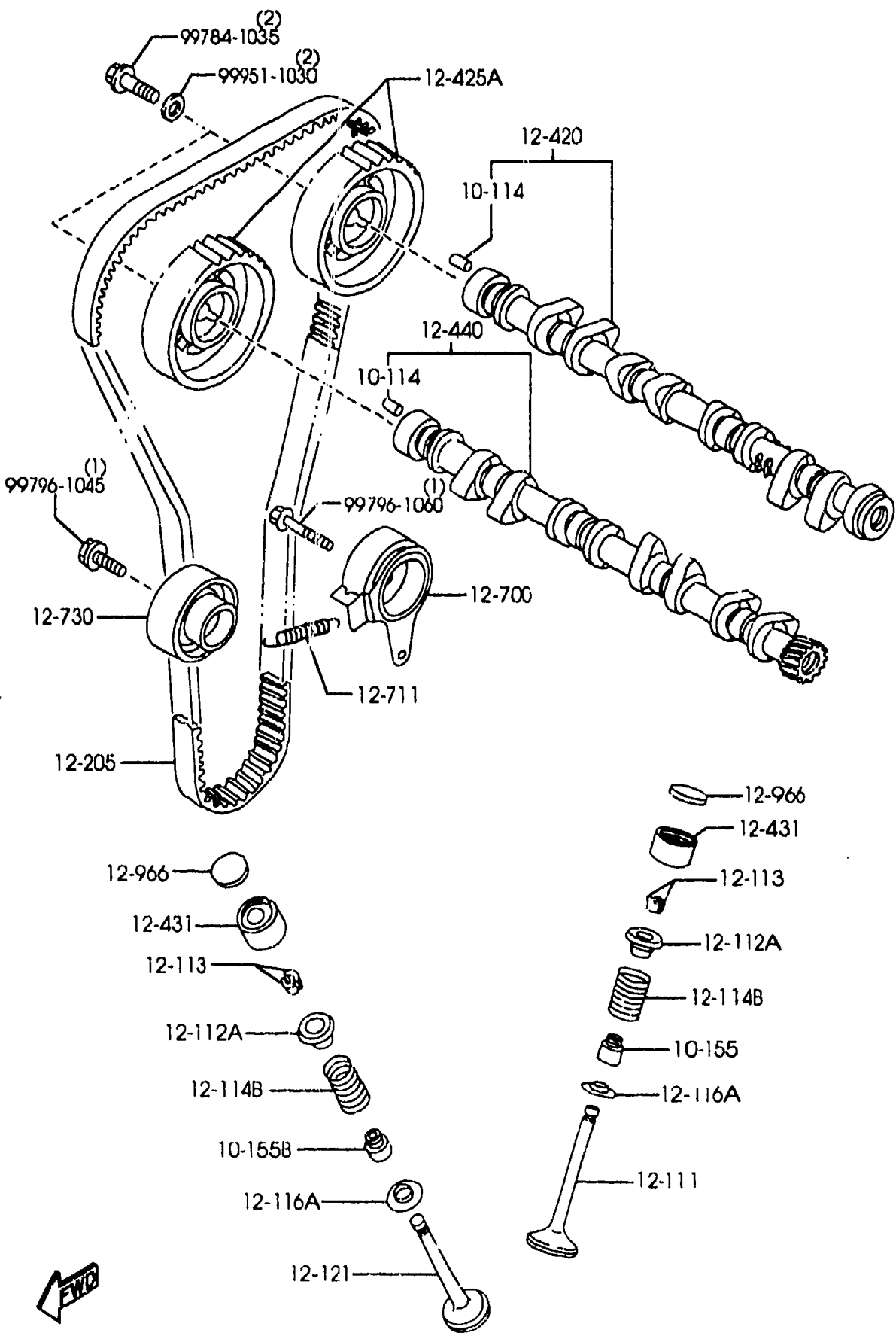
AUBA09

(2B11050)

CAT. AUBA09-02

2001-07

1200AA VALVE SYSTEM
(1600CC)

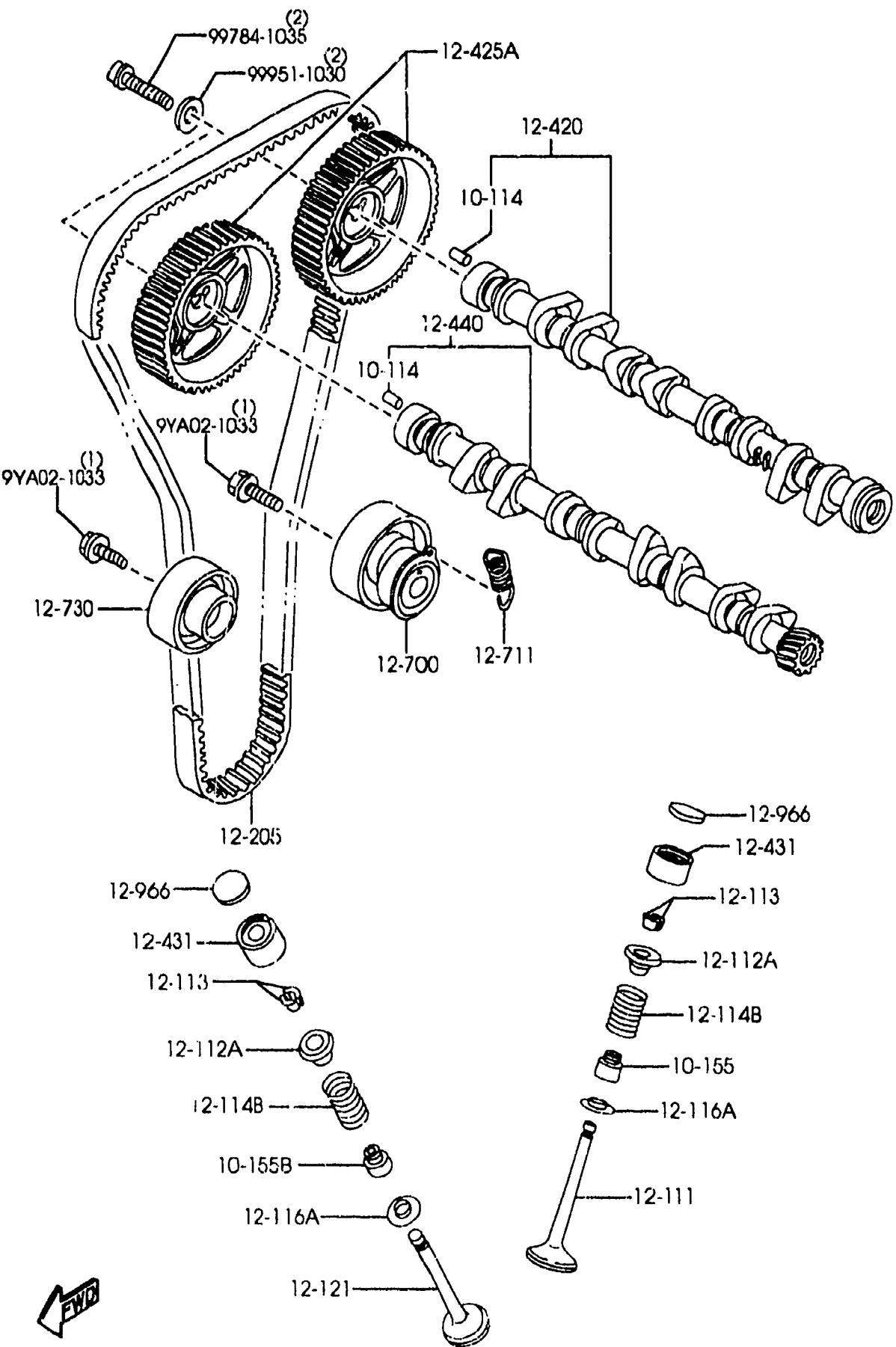


1200AA-2 * VALVE SYSTEM
(1600CC)

PART NO.	QTY	MODEL/RESTRICTION	MODEL/RESTRICTION	MODEL/RESTRICTION	FROM-TO
CONT'D Z501-12-163A	16	OGINO KOUGYOU (SUPPLIER IN SELECTION)	OGINO KOUGYOU		
12-440		CAMSHAFT, EXHAUST	ARBRE CAMES, ECHAPPEMENT.		
ZL01-12-440	1				
12-700		TENSIONER, TIMING BELT	TENDEUR,		
B660-12-700F	1				
12-711		SPRING, TENSIONER	RESSORT, TENDEUR		
Z502-12-711	1				
12-730		IDLER, TIMING BELT	RALENTISSEUR, COURROIE T.		
B660-12-730C	1				
12-966		DISC, ADJUSTING	DISQUE DE REGLAGE		
Z5Y1-12-541	16	T=2.750MM	T=2.750MM		
Z5Y2-12-541	16	T=2.800MM	T=2.800MM		
Z5Y3-12-541	16	T=2.850MM	T=2.850MM		
Z5Y4-12-541	16	T=2.900MM	T=2.900MM		
Z5Y5-12-541	16	T=2.950MM	T=2.950MM		
Z5Y6-12-541	16	T=3.000MM	T=3.000MM		
Z502-12-545	16	T=3.052MM	T=3.052MM		
Z502-12-552	16	T=3.100MM	T=3.100MM		
Z502-12-558	16	T=3.148MM	T=3.148MM		
Z502-12-565	16	T=3.196MM	T=3.196MM		
Z502-12-573	16	T=3.252MM	T=3.252MM		
Z502-12-579	16	T=3.300MM	T=3.300MM		
Z502-12-586	16	T=3.348MM	T=3.348MM		
Z502-12-593	16	T=3.396MM	T=3.396MM		

1200AB VALVE SYSTEM
(2000CC)

1200AB-1 VALVE SYSTEM
(2000CC)



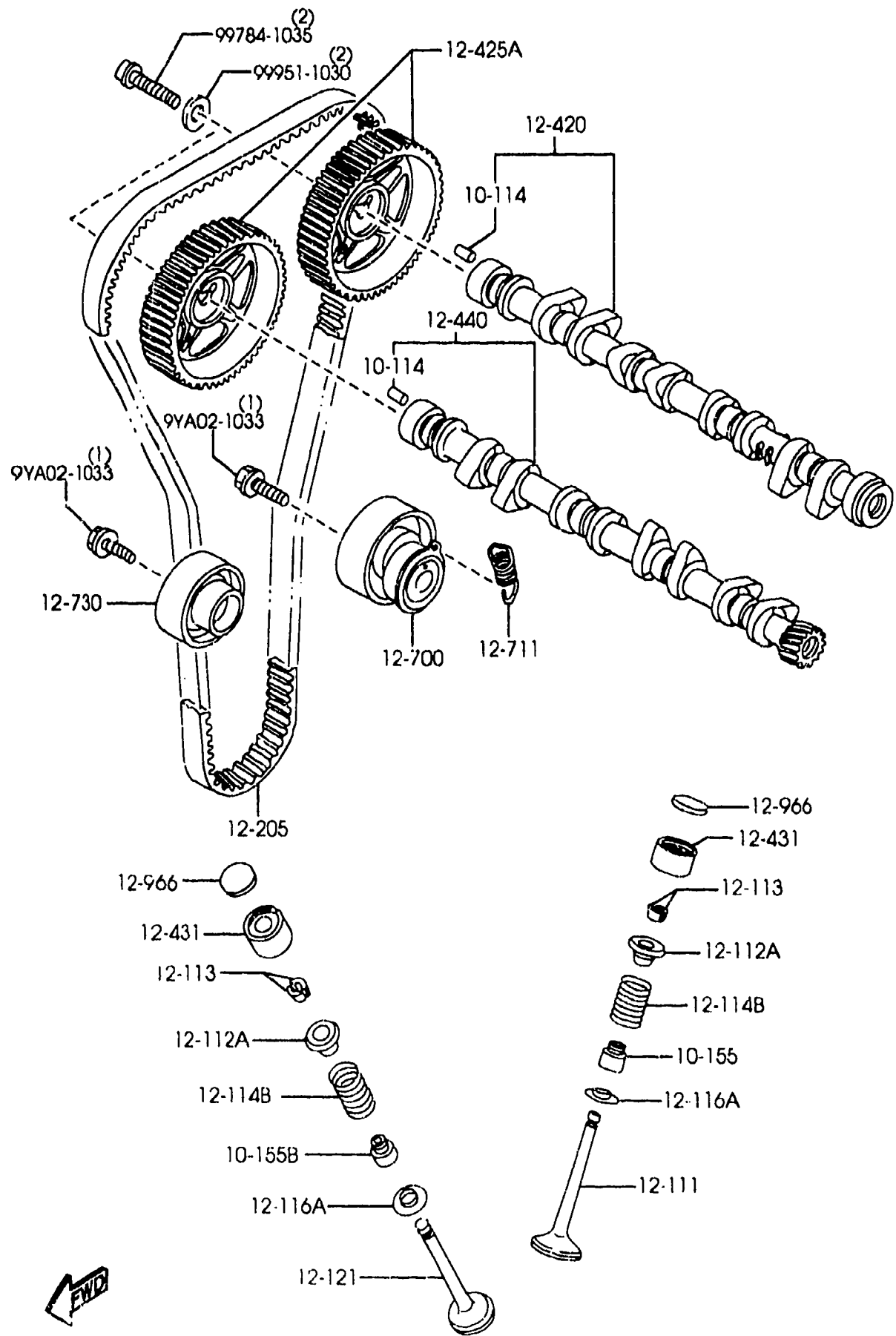
PART NO.	QTY	MODEL/RESTRICTION	MODEL/RESTRICTION	MODEL/RESTRICTION	FROM-TO
10-114		PIN, SET-CAMSHAFT	BROCHE, JEU-ARBRE A CAMES.		
FB01-10-114	2				
10-155		SEAL, VALVE	JOINT, QUEUE SOUPAPE		
KL01-10-155	8	NOK	NOK		
10-155B		SEAL, VALVE	JOINT, QUEUE SOUPAPE		
KL02-10-155	8	NOK	NOK		
12-111		VALVE, INLET	SOUPAPE D'ADMISSION		
FS01-12-111C	8				
12-112A		SEAT, VALVE SPG-UP.	FEUILLE SUP.,		
FS01-12-113A	16				
12-113		COYTER, VALVE-IN.	DEMI-CONE, SOUPAPE A DM.		
FS01-12-114	32				
12-114B		SPRING, VALVE	RESSORT, SOUPAPE		
FS01-12-125	16				
12-116A		SEAT, VALVE SPG.-LWR	FEUILLE INF.,		
FS01-12-123	16				
12-121		VALVE, EXHAUST	SOUPAPE D'ECHAPPEMENT		
FS7N-12-121	8				
12-205		BELT, TIMING	COURROIE DE DISTRIBUTION		
FS01-12-205A	1	135YU25 YUNITTA (SUPPLIER IN SELECTION)	135YU25 YUNITTA		
FS02-12-205	1	135YU25 TSUBAKIMOTO (SUPPLIER IN SELECTION)	135YU25 TSUBAKIMOTO		
12-420		CAMSHAFT	ARBRE A CAMES		
FS16-12-420	1				
12-425A		PULLEY, CAMSHAFT	POULIE, ARBRE A CAMES		
FSN5-12-425	2				

AUBA09

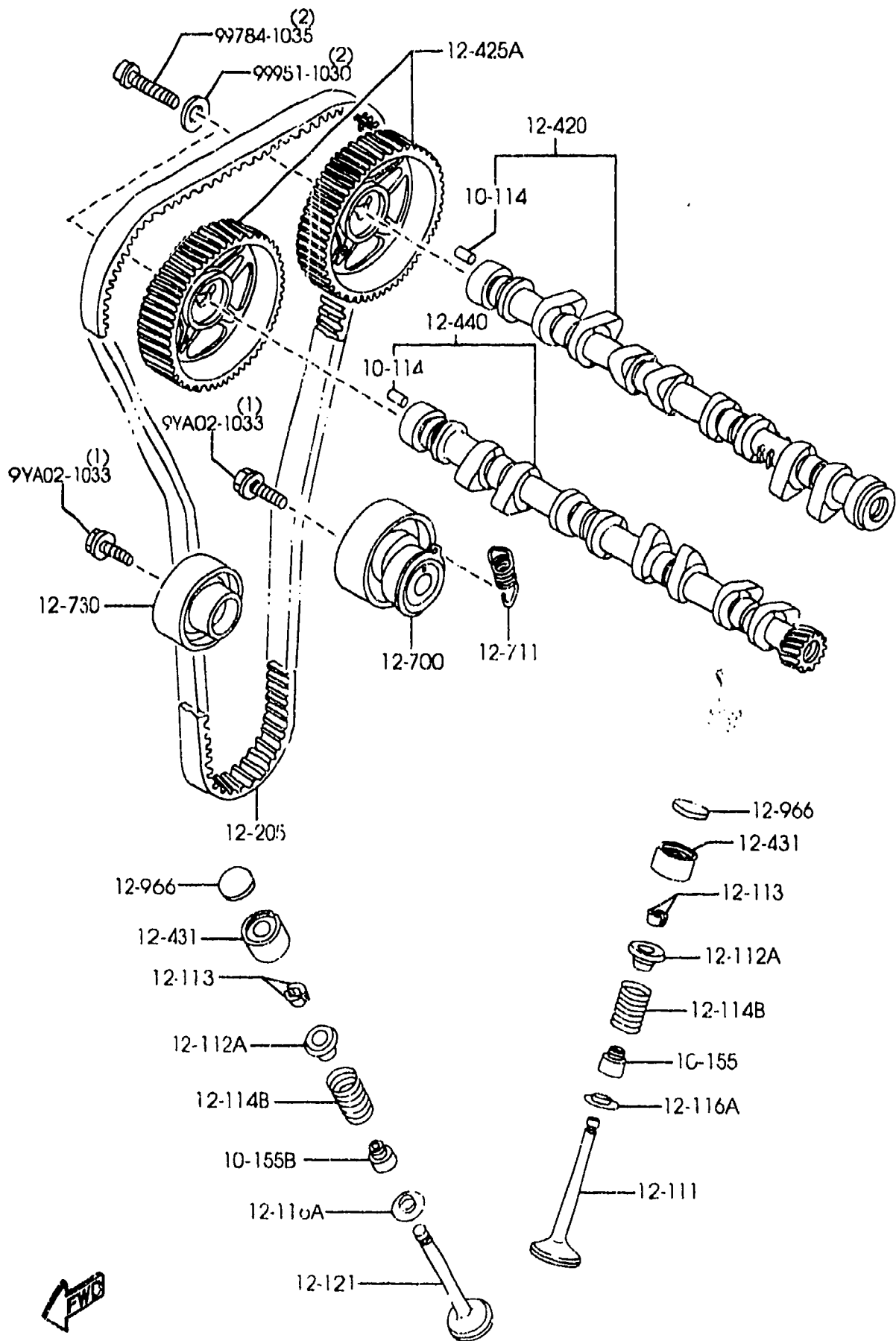
(2B11060)

CAT. AUBA09-02

2001-07



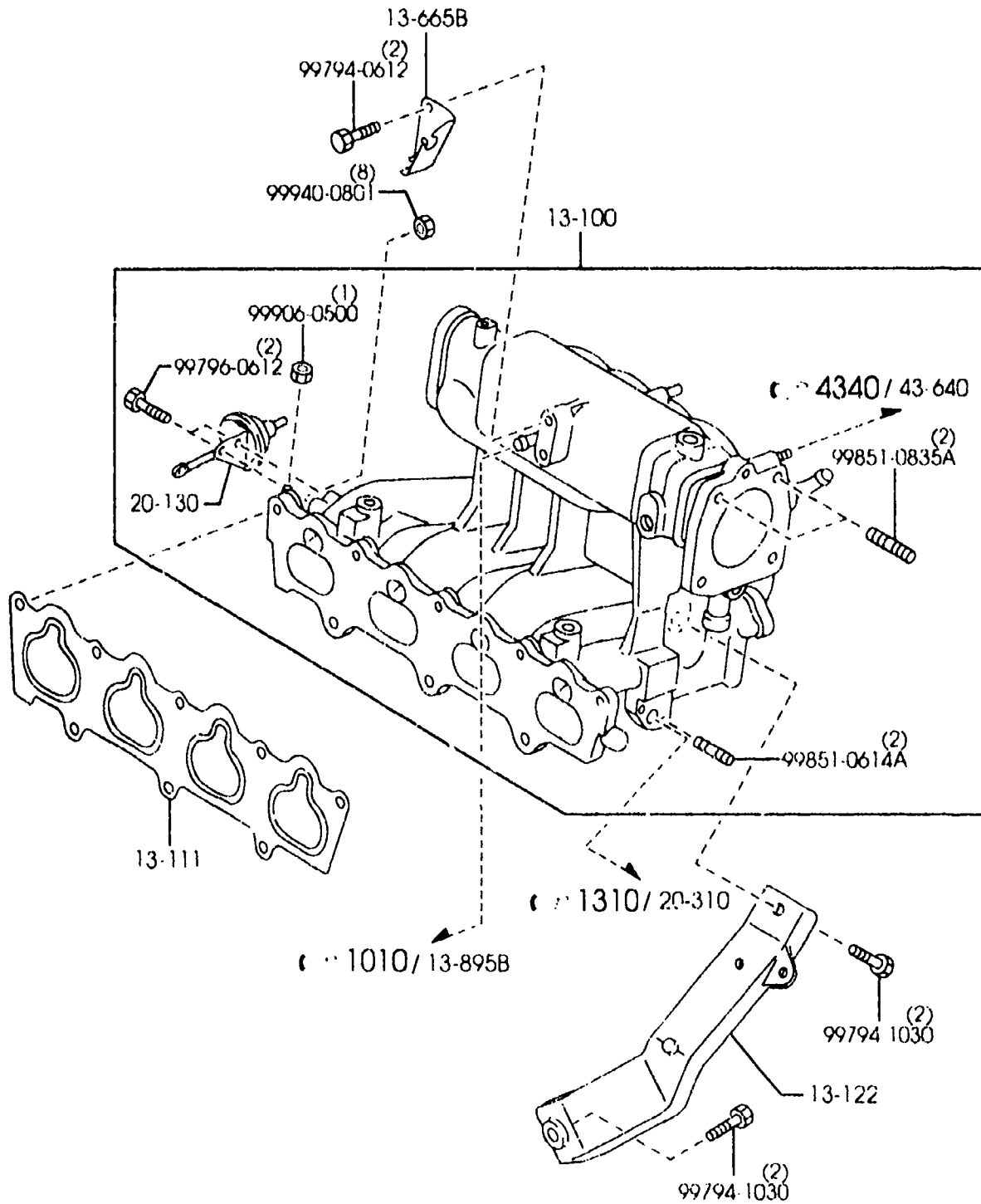
PART NO.	QTY	MODEL/RESTRICTION	MODEL/RESTRICTION	MODEL/RESTRICTION	FROM-TO
12-431		TAPPET	POUSSOIR		
FSD7-12-183	16				
12-440		CAMSHAFT, EXHAUST	ARBRE CAMES, ECHAPPEMENT.		
FSD7-12-440	1				
12-700		TENSIONER, TIMING BELT	TENDEUR,		
FS01-12-700B	1				
12-711		SPRING, TENSIONER	RESSORT, TENDEUR		
FS01-12-711	1				
12-730		IDLER, TIMING BELT	RALENTISSEUR, COURROIE T.		
FS01-12-730A	1				
12-966		DISC, ADJUSTING	DISQUE DE REGLAGE		
Z5Y1-12-541	16	T=2.750MM	T=2.750MM		
Z5Y2-12-541	16	T=2.800MM	T=2.800MM		
Z5Y3-12-541	16	T=2.850MM	T=2.850MM		
Z5Y4-12-541	16	T=2.900MM	T=2.900MM		
Z5Y5-12-541	16	T=2.950MM	T=2.950MM		
Z5Y6-12-541	16	T=3.000MM	T=3.000MM		
Z502-12-545	16	T=3.052MM	T=3.052MM		
Z502-12-552	16	T=3.100MM	T=3.100MM		
Z502-12-558	16	T=3.148MM	T=3.148MM		
Z502-12-565	16	T=3.196MM	T=3.196MM		
Z502-12-573	16	T=3.252MM	T=3.252MM		
Z502-12-579	16	T=3.300MM	T=3.300MM		
Z502-12-586	16	T=3.348MM	T=3.348MM		
Z502-12-593	16	T=3.396MM	T=3.396MM		



PART NO.	QTY	MODEL/RESTRICTION	MODEL/RESTRICTION	MODEL/RESTRICTION	FROM-TO
CONT'D					
KJ01-12-595	16	T=3.450MM	T=3.450MM		
KJ01-12-597	16	T=3.500MM	T=3.500MM		
KJ01-12-599	16	T=3.550MM	T=3.550MM		
Z5Y1-12-599	16	T=3.600MM	T=3.600MM		
Z5Y2-12-599	16	T=3.650MM	T=3.650MM		
Z5Y3-12-599	16	T=3.700MM	T=3.700MM		
Z5Y4-12-599	16	T=3.750MM	T=3.750MM		

1300AA INLET MANIFOLD
(1600CC)

1360AA-1 * INLET MANIFOLD
(1600CC)



PART NO.	QTY	MODEL/RESTRICTION	MODEL/RESTRICTION	MODEL/RESTRICTION	FROM TO
13-100 ZM03-13-100C	1	MANIFOLD, INLET	COLLECTEUR, ADMISSION		
13-111 ZL01-13-111	1	GASKET, IN. MANIFOLD	JOINT, COLLECTEUR AD		
13-122 ZL01-13-121A	1	STAY, INTAKE MANIFOLD	ETAI, COLLECTEUR ADMI SSION		
13-665B ZL01-13-665	1	BRACKET, ACCEL WIRE	SUPPORT,		
20-130 ZM03-20-170	1	ACTUATOR, SHUTTER VAL VE	ACTUATOR, VANNE OBTUR ATION		



AUBA09

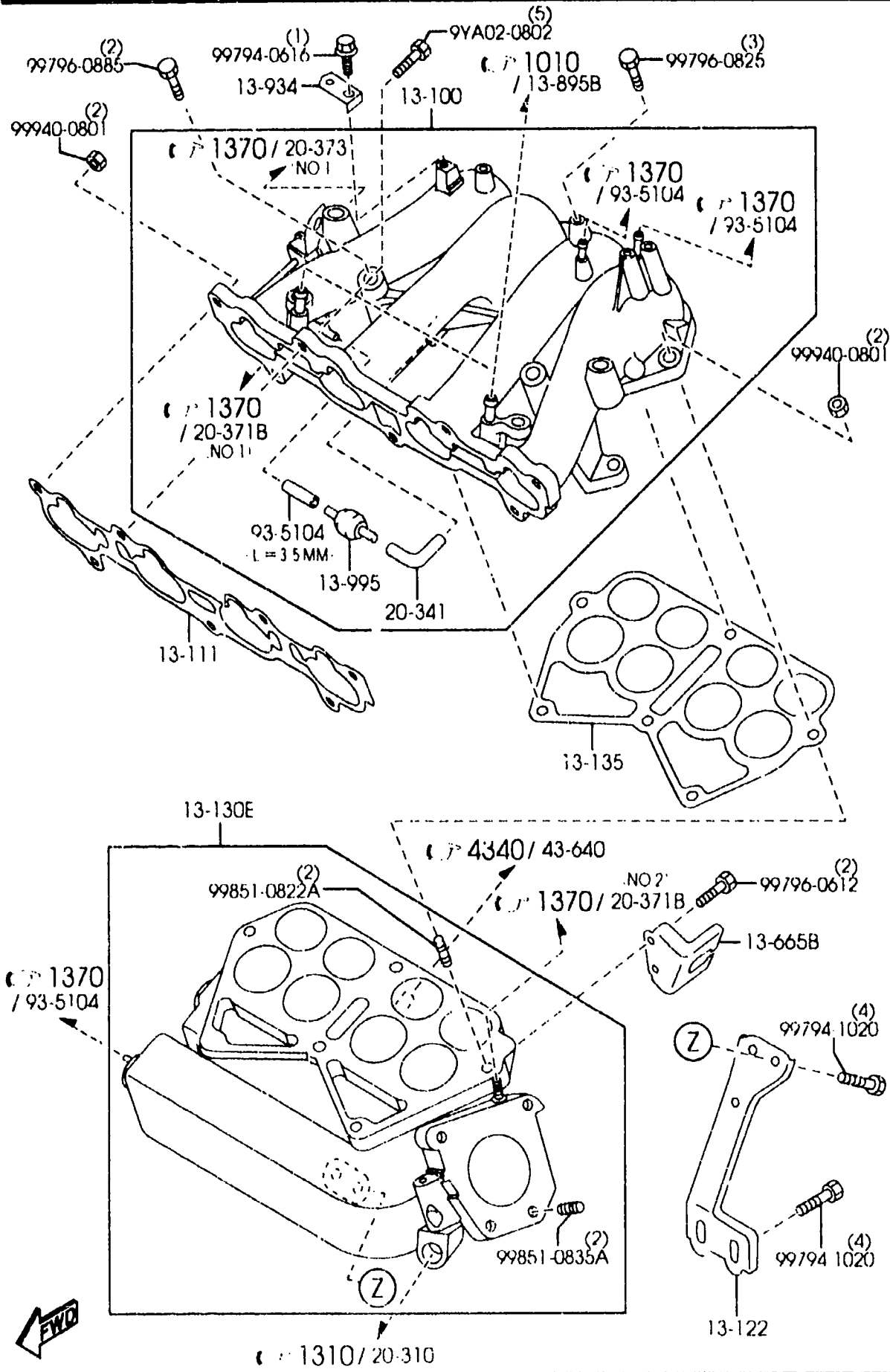
(2853170)

CAT. AUBA09-02

2001-07

1300AB INLET MANIFOLD
(2000CC)

1300AB-1 * INLET MANIFOLD
(2000CC)



PART NO.	QTY	MODEL/RESTRICTION	MODEL/RESTRICTION	MODEL/RESTRICTION	FROM-TO
13-100		MANIFOLD, INLET	COLLECTEUR, ADMISSIO		
FS7N-13-100B	1	(SPORT SUSP)	(SUSP. SPORTIVE)		
FS9N-13-100	1	(MPS SUSP)	(SUSP. MPS)		
13-111		GASKET, IN. MANIFOLD	JOINT, COLLECTEUR AD		
FSJ2-13-111A	1				
13-122		STAY, INTAKE MANIFOLD	ETAI, COLLECTEUR ADMI		
FSJ2-13-121	1		SSION		
13-130E		TANK, SURGE	RESERVOIR D'EXPANSIO		
FS7N-13-130	1		N		
13-135		GASKET	JOINT		
FS7N-13-135	1				
13-665B		BRACKET, ACCEL WIRE	SUPPORT,		
FS01-13-665	1				
13-934		CLIP	COLLIER		
FS35-13-934	1				
13-995		VALVE, CHECK	SOUPAPE DE RETENUE		
HE41-13-995	1				
20-341		HOSE, VACUUM	TUBE, VIDE-CONTACTEUR		
FE68-20-341	1		VIDE		
93-5104		HOSE	FLEXIBLE ESSENCE		
99351-0-1999	1	L=1M CUT IT TO USE	L=1M CUT IT TO USE		

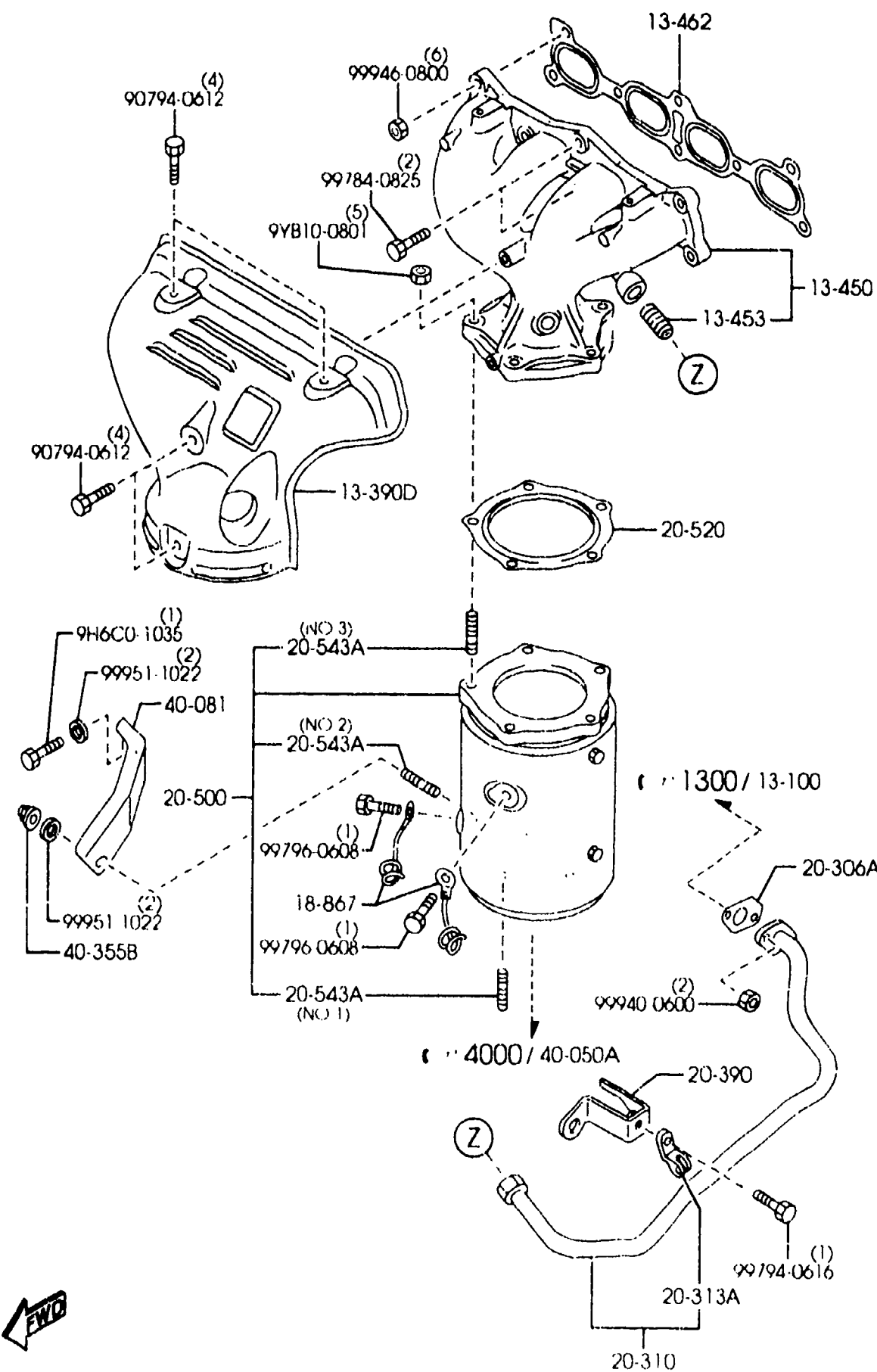
AUBA09

(2B53180)

CAT. AUBA09-02

2001-07

1310AA EXHAUST MANIFOLD
(1600CC)



1310AA-1 EXHAUST MANIFOLD
(1600CC)

PART NO.	QTY	MODEL/RESTRICTION	MODEL/RESTRICTION	MODEL/RESTRICTION	FROM-TO
13-390D	1	INSULATOR, EX. MANIFOLD	ISOLATEUR		
ZM01-13-390					
13-450	1	MANIFOLD, EXHAUST	COLLECTEUR, ECHAPPEMENT		
ZM01-13-450A					
13-453	1	BOLT, CONNECTOR	BOULON		
3874-13-452					
13-462	1	GASKET, EX. MANIFOLD	JOINT, COLLECTEUR ECHAPPEMENT		
ZL01-13-460					
18-867	2	CLIP	ATTACHE		
Z502-18-867					
20-306A	1	GASKET	JOINT		
JE06-20-306					
20-310	1	PIPE, E.G.R.	TUYAU DE RECYCLAGE GAZ D'ECH.		
ZM01-20-310A					
20-313A	1	CLIP E.G.R. PIPE	COLLIER, TUYAU E.G.R.		
FS01-20-313A					
20-390	1	BRACKET, E.G.R. PIPE	SUPPORT TUYAU E.C.R.		
B6BF-20-390					
20-500	1	CONVERTER, CATALYST	CONVERTISSEUR CATALYTIQUE		
ZM01-20-500A		IDENTIFY MARK (ZM01)	IDENTIFY MARK (ZM01)		
ZM02-20-500A		IDENTIFY MARK (ZM02)	IDENTIFY MARK (ZM02)		
20-520	1	GASKET, CAT.	JOINT, CONVERTISS. CATALYS		
ZM01-20-520					
20-543A	3	STUD	GOUJON		
G501-20-WA1		(ILLUST. NO.1)			
KL50-20-WA1	1	(ILLUST. NO.2)			
Z506-20-WA1	5	(ILLUST. NO.3)			



AUBA09

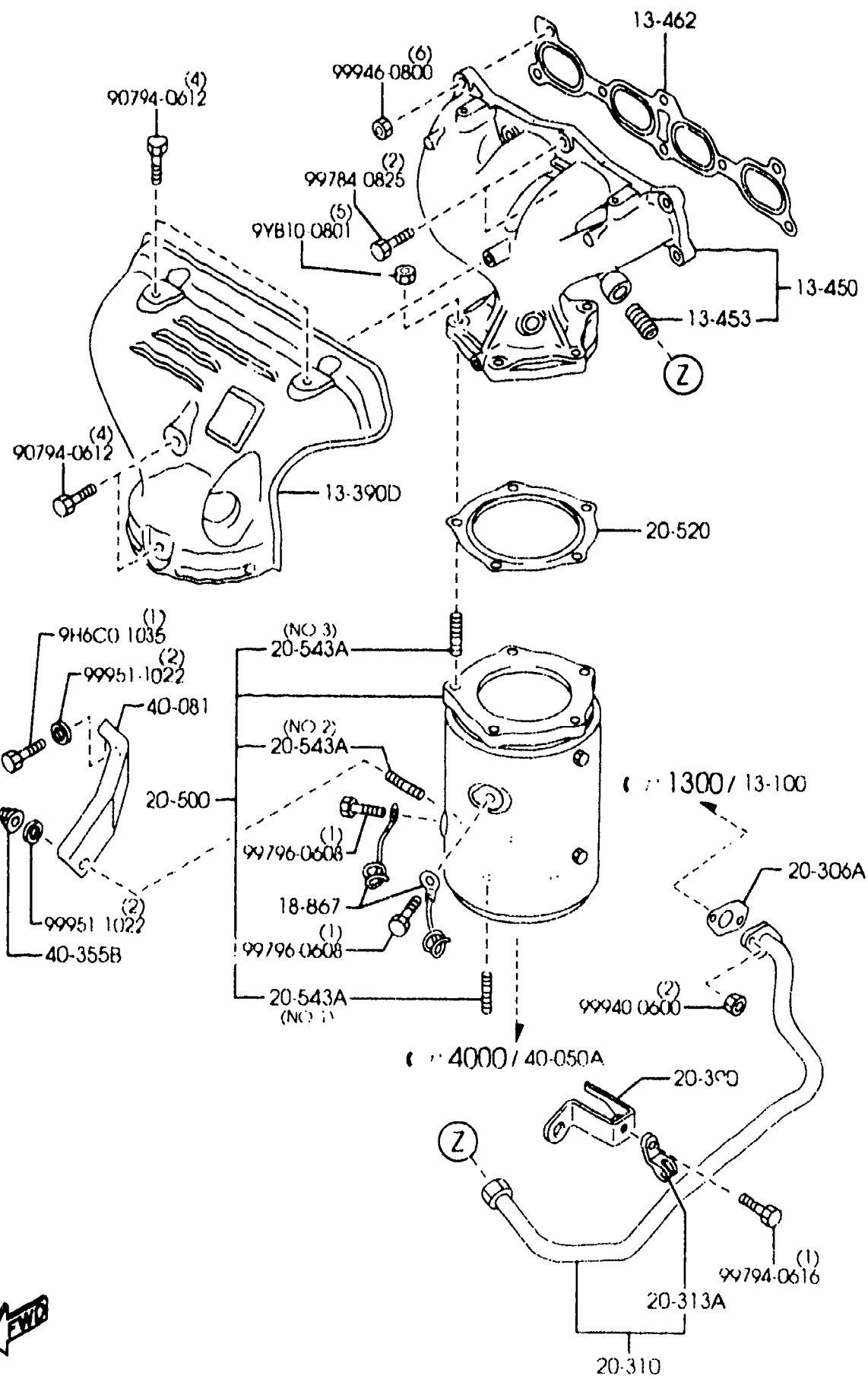
(2B53190)

CAT. AUBA09-02

2001-07

1310AA EXHAUST MANIFOLD
(1600CC)

1310AA-2 * EXHAUST MANIFOLD
(1600CC)



PART NO.	QTY	MODEL/RESTRICTION	MODEL/RESTRICTION	MODEL/RESTRICTION	FROM TO
40-081		BRACKET, HANGER	SUPPORT		
ZM01-40-081	1				
40-355B		NUT	ECROU		
JE10-40-355	1				

AUBA09

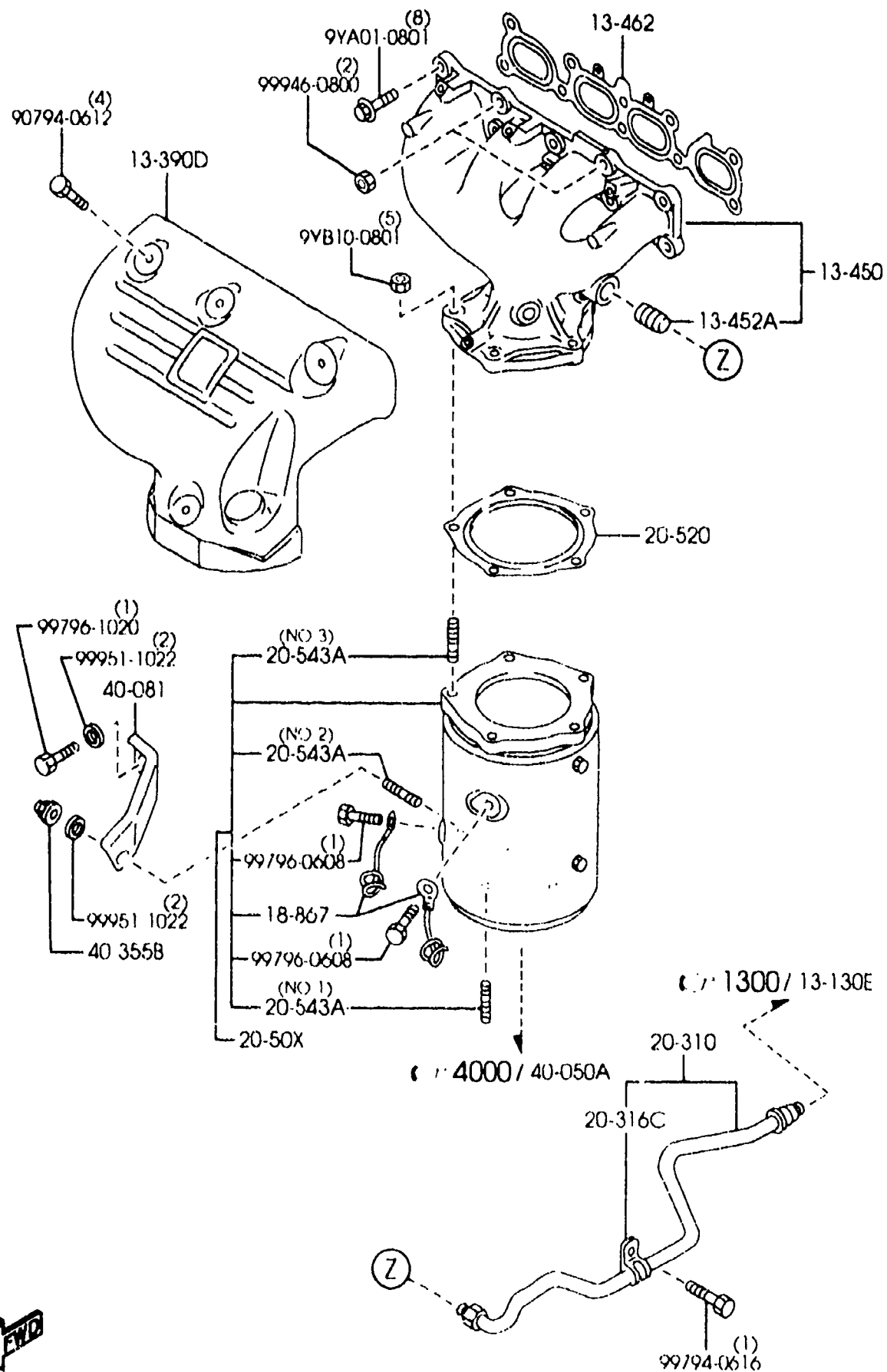
(2B53190)

CAT. AUBA09-02

2001-07

1-F 5

1310AB EXHAUST MANIFOLD
(2000CC)



1310AB-1 * EXHAUST MANIFOLD
(2000CC)

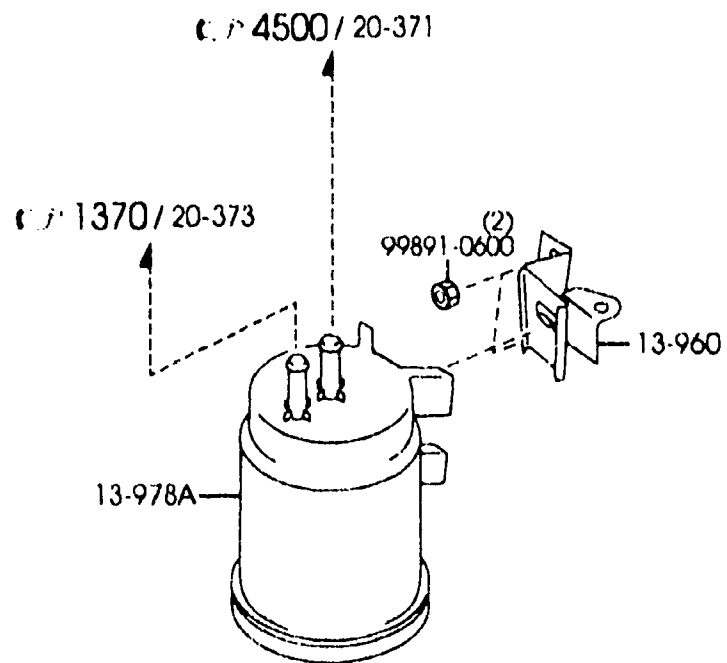
PART NO.	QTY	MODEL/RESTRICTION	MODEL/RESTRICTION	MODEL/RESTRICTION	FROM-TO
13-390D		INSULATOR, EX. MANIFOLD	ISOLATEUR		
FP49-13-390	1				
13-450		MANIFOLD, EXHAUST	COLLECTEUR, ECHAPPEMENT		
FP49-13-450	1				
13-452A		BOLT, CONNECTOR	BOULON		
FSJ2-13-452	1				
13-462		GASKET, EX. MANIFOLD	JOINT, COLLECTEUR ECHAPPEMENT		
FS01-13-460A	1				
18-867		CLIP	ATTACHE		
Z502-18-867	2				
20-310		PIPE, E.G.R.	TUYAU DE RECYCLAGE GAZ D'ECH.		
FP49-20-310A	1				
20-316C		CONNECTOR, E.G.R. TUBE	CONNECTEUR, E.G.R. TUBO		
FP49-20-316	1				
20-50X		CONVERTER	TRANSPORTEUR		
FS7N-20-50XA	1				
20-520		GASKET, CAT.	JOINT, CONVERTISS. CATALYS		
ZM01-20-520	1				
20-543A		STUD	GOUJON		
GS01-20-WA1	3 (ILLUST. NO.1)				
KL50-20-WA1	1 (ILLUST. NO.2)				
Z506-20-WA1	5 (ILLUST. NO.3)				
40-081		BRACKET, HANGER	SUPPORT		
FSE6-40-081	1				
40-355B		NUT	ECROU		
JE10-40-355	1				

AUBA09

(2B53200)

CAT. AUBA09-02

2001-07

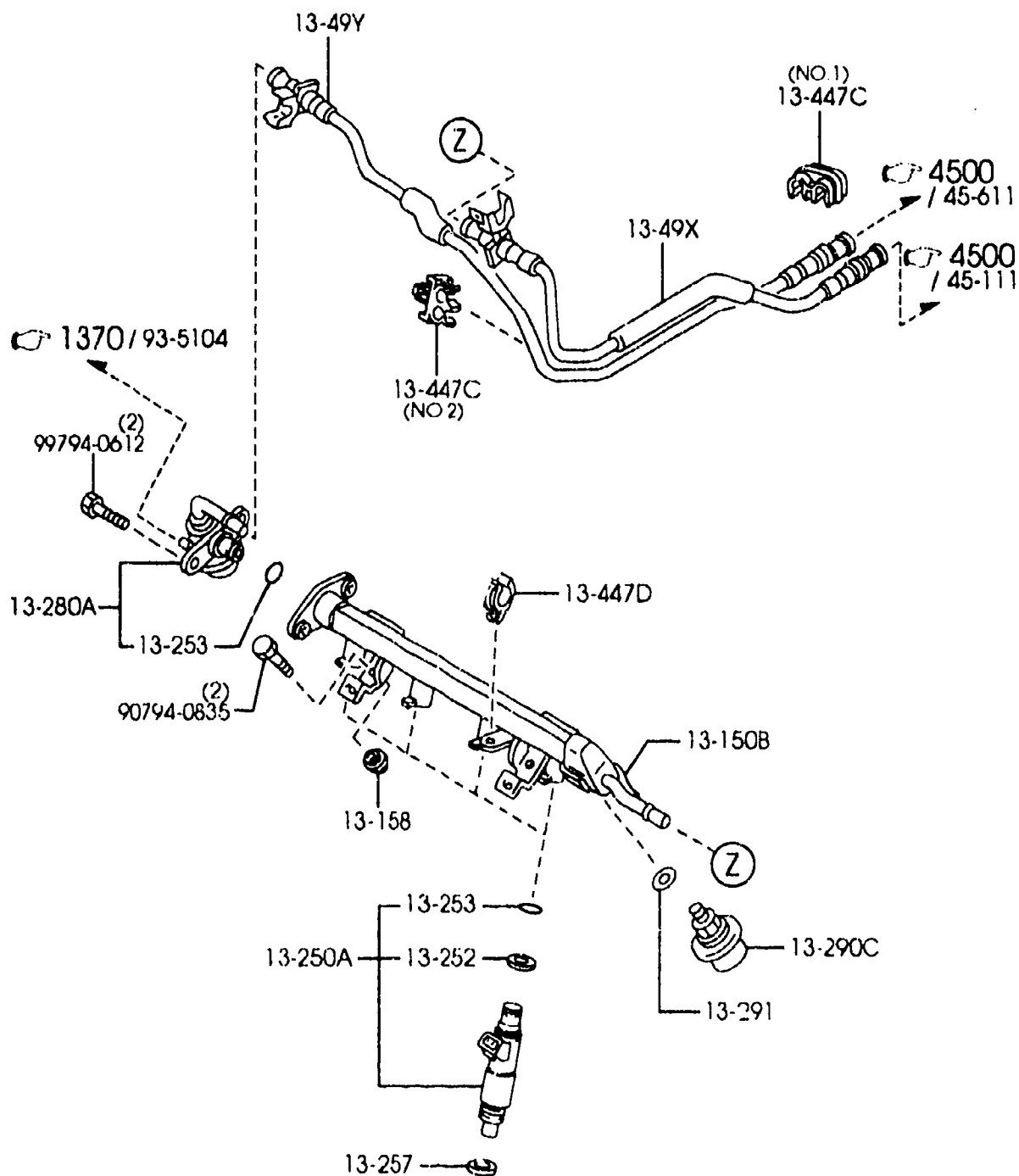


PART NO.	QTY	MODEL/RESTRICTION	MODEL/RESTRICTION	MODEL/RESTRICTION	FROM-TO
13-960 ZM45-13-960A	1	BRACKET, CANISTER	SUPPORT, BOITE		
13-978A JE96-13-978	1	TANK, CATCH	RESERVOIR, ARRET		



1325AA FUEL DISTRIBUTOR
(1600CC)

1325AA-1 * FUEL DISTRIBUTOR
(1600CC)

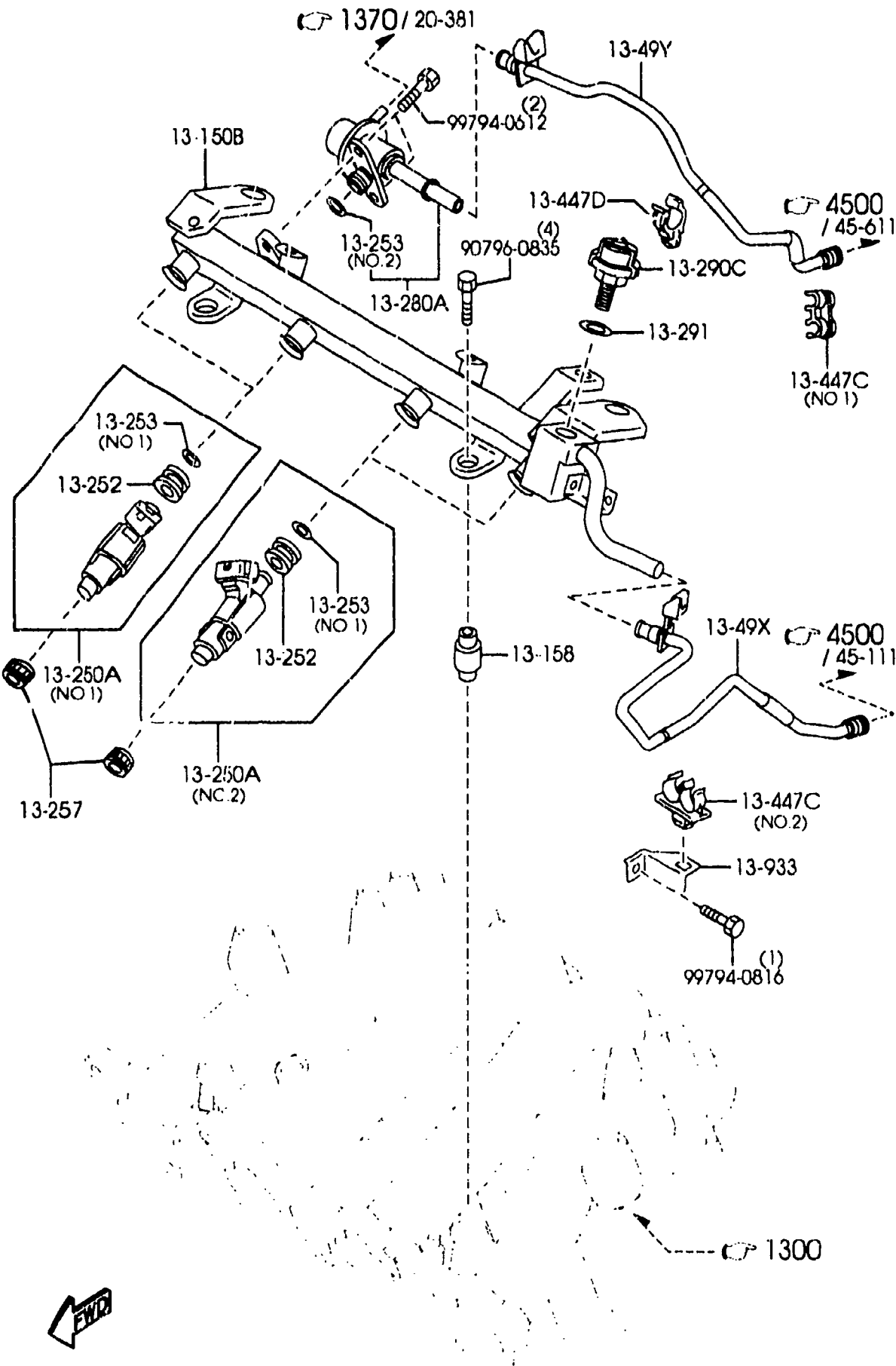


PART NO.	QTY	MODEL/RESTRICTION	MODEL/RESTRICTION	MODEL/RESTRICTION	FROM-TO
13-150B		DISTRIBUTOR, FUEL	DISTRIBUTEUR DE CARBURANT		
ZL01-13-150B	1				
13-158		INSULATOR, FUEL DIST.	ISOLANT, DISTRIBUT. HUILE		
B675-13-158	2				
13-250A		INJECTION, FUEL-M.P. LECT.	INJECTEUR DE CARBURANT		
Z599-13-250	4				
13-252		GROMMET	ANNEAU		
B574-13-252	4				
13-253		RI 3, '0'	JOINT '0'		
B574-13-253	5				
13-257		INSULATOR, INJECTION	ISOLANT		
B574-13-257	4				
13-280A		RESSURE RG., FUEL	REGULATEUR DE PRES. CARBURANT		
ZL01-13-280A	1				
13-290C		DAMPER, PULSATION	AMOTISSEUR DE PULSATIONS		
F201-20-180	1				
13-291		GASKET	JOINT		
H304-13-291	1				
13-447C		CLAMP, HOSE	COLLIER DE SERRAGE		
ZL01-13-447	1 (ILLUST. NO.1)				
ZL02-13-447B	1 (ILLUST. NO.2)				
13-447D		CLAMP, HOSE	COLLIER DE SERRAGE		
F201-13-447	1				
13-49X		HOSE, FUEL	TUYAU, COMUST. -E.G.I.		
ZM39-13-49XB	1				
13-49Y		HOSE, FUEL	TUYAU, COMUST. -E.G.I.		
ZM39-13-49YB	1				



1325AB FUEL DISTRIBUTOR
(2000CC)

1325AB-1 FUEL DISTRIBUTOR
(2000CC)



PART NO.	QTY	MODEL/RESTRICTION	MODEL/RESTRICTION	MODEL/RESTRICTION	FROM-TO
13-150B FS7E-13-150A	1	DISTRIBUTOR, FUEL	DISTRIBUTEUR DE CARBURANT		
13-158 FEJK-13-158C	4	INSULATOR, FUEL DIST.	ISOLANT, DISTRIBUT. HUILE		
13-250A FSJ2-13-250	2	INJECTION, FUEL-M.P.E. GREEN (ILLUST. NO.1)	INJECTEUR DE CARBURANT GREEN		
13-250 FSJ3-13-250	2	PURPLE (ILLUST. NO.2)	PURPLE		
13-252 F2G8-13-252	4	GROMMET	ANNEAU		
13-253 FS01-13-253	4	RING, 'O'	JOINT 'O'		
13-253 G601-13-253	1	NIPPON INJECTOR (ILLUST. NO.1)	NIPPON INJECTOR		
13-253 G601-13-253	1	AISAN INDUSTRY (ILLUST. NO.2)	AISAN INDUSTRY		
13-257 JE06-13-257	4	INSULATOR, INJECTION	ISOLANT		
13-280A FP47-13-280C	1	PRESSURE RG., FUEL	REGULATEUR DE PRES. CARBURANT		
13-290C JE27-20-180	1	DAMPER, PULSATION	AMOTISSEUR DE PULSATIONS		
13-291 N304-13-291	1	GASKET	JOINT		
13-447C ZL01-13-447	1	CLAMP, HOSE (ILLUST. NO.1)	COLLIER DE SERRAGE		
13-447B ZL02-13-447B	1	CLAMP, HOSE (ILLUST. NO.2)	COLLIER DE SERRAGE		
13-447D F201-13-447	1	CLAMP, HOSE	COLLIER DE SERRAGE		
13-49X FS7E-13-49XB	1	HOSE, FUEL	TUYAU, COMUST. -E.G.I.		

AUBA09

(2B49100)

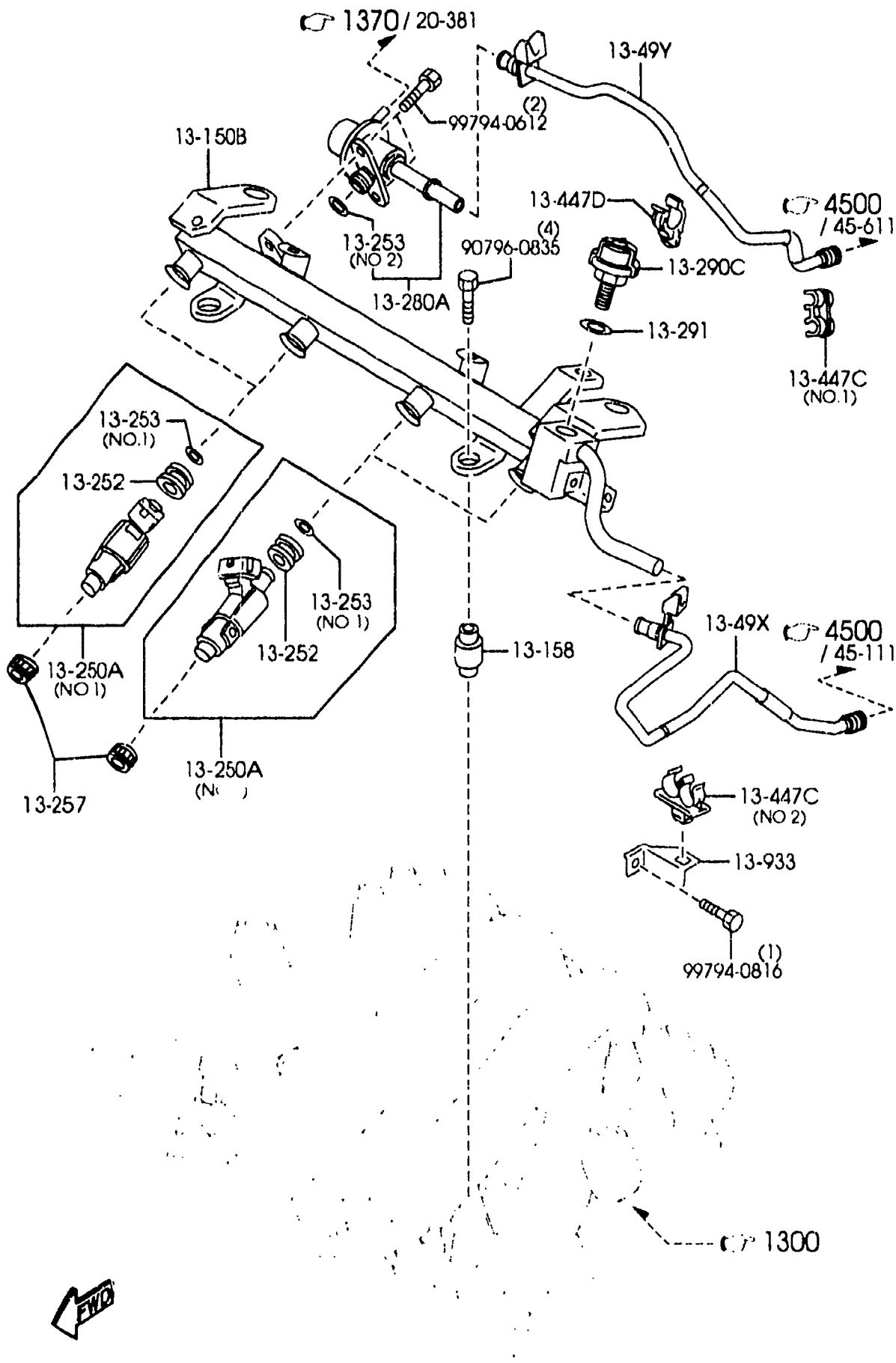
CAT. AUBA09-02

2001-07

1-5

1325AB FUEL DISTRIBUTOR
(2000CC)

1325AB-2 * FUEL DISTRIBUTOR
(2000CC)



PART NO.	QTY	MODEL/RESTRICTION	MODEL/RESTRICTION	MODEL/RESTRICTION	FROM-TO
13-49Y	1	HOSE, FUEL	TUYAU, COMUST. - E.G. I		
FS7E-13-49YB					
13-933	1	CLIP	ATTACHE		
FS2V-13-933A					

AUBA09

(2B49100)

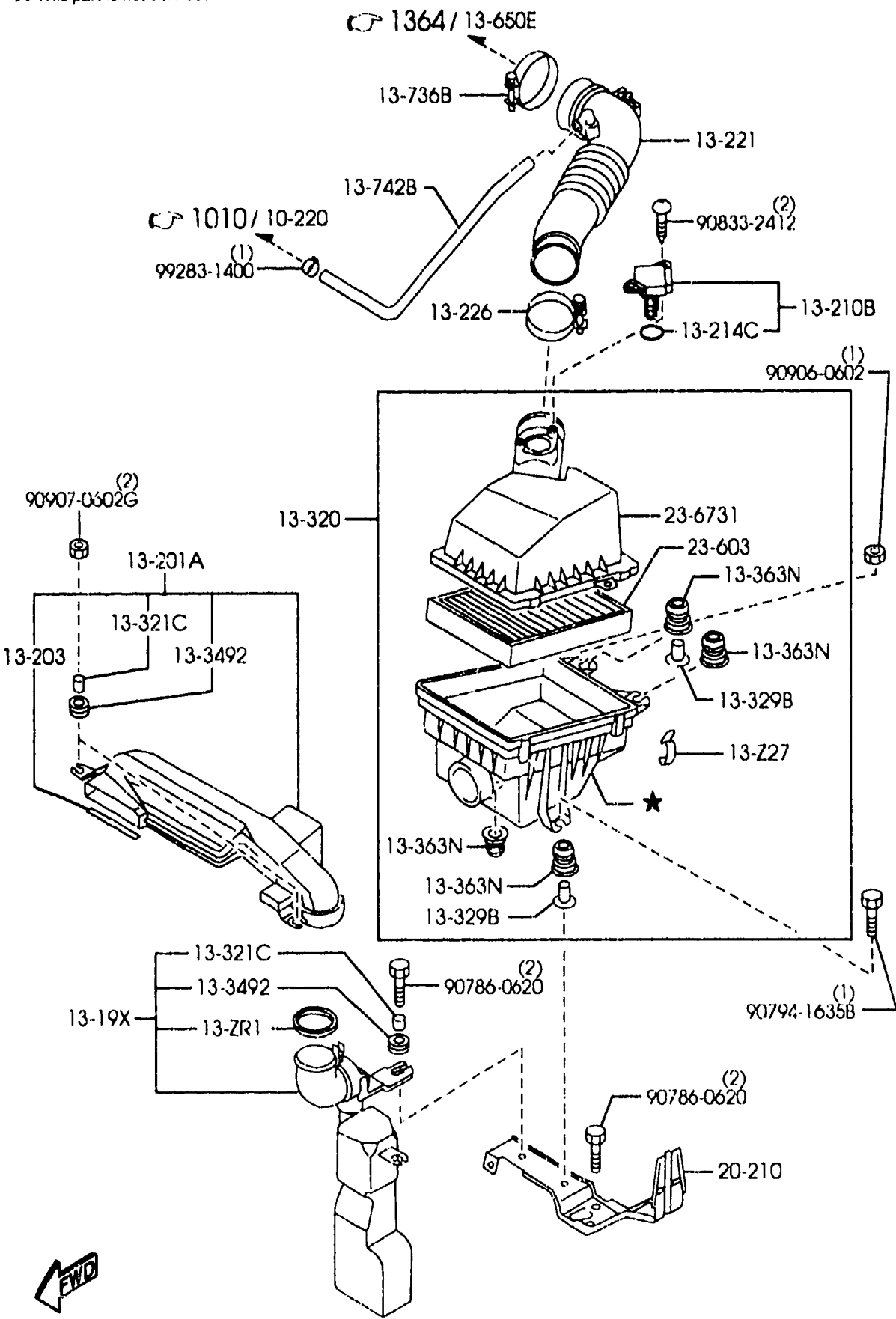
CAT. AUBA09-02

2001-07

1-K 5

1330AA AIR CLEANER
(1600CC)

★ This part is not serviced.



1330AA-1 AIR CLEANER
(1600CC)

PART NO.	QTY	MODEL/RESTRICTION	MODEL/RESTRICTION	MODEL/RESTRICTION	FROM-TO
13-ZR1		SEAL, AIR	JOINT HERMETIQUE		
ZL01-13-ZR1	1				
13-Z27		CLIP	COLLIER		
B593-13-Z27	2				
13-19X		CHAMBER, RESONANCE	CHAMBRE, RESONANCE		
ZL01-13-19XB	1				
13-201A		DUCT, FRESH AIR	CONDUITE D'AIR FRAIS		
ZL01-13-200C	1				
13-203		RUBBER, SEAL	CAOUT., ETAN.-COND. AIR FRA		
ZL01-13-203	1				
13-210B		SENSOR, AIR FLOW	CAPTEUR DE DEBIT D'AIR		
ZL01-13-215	1				
13-214C		RING, 'O'-AIR FLOW SENSOR	JOIN TORIQUE-CAPTEUR AIR		
ZL01-13-214	1				
13-221		HOSE, AIR	TUYAU, AIR		
ZM01-13-220	1				
13-226		CLAMP, HOSE	COLLIER DE SERRAGE		
E5A1-13-226E	1				
13-320		CLEANER, AIR	FILTRE A AIR		
ZL01-13-320A	1				
*ZL01-13-320B	1				-1829 1829-
13-321C		SPACER	RONDELLE		
FS05-13-321	4				
13-329B		SPACER	RONDELLE		
FE51-13-329	2				
13-3492		INSULATOR	I, SOLATEUR		
S501-13-349	4				

AUBA09

(2B64230)

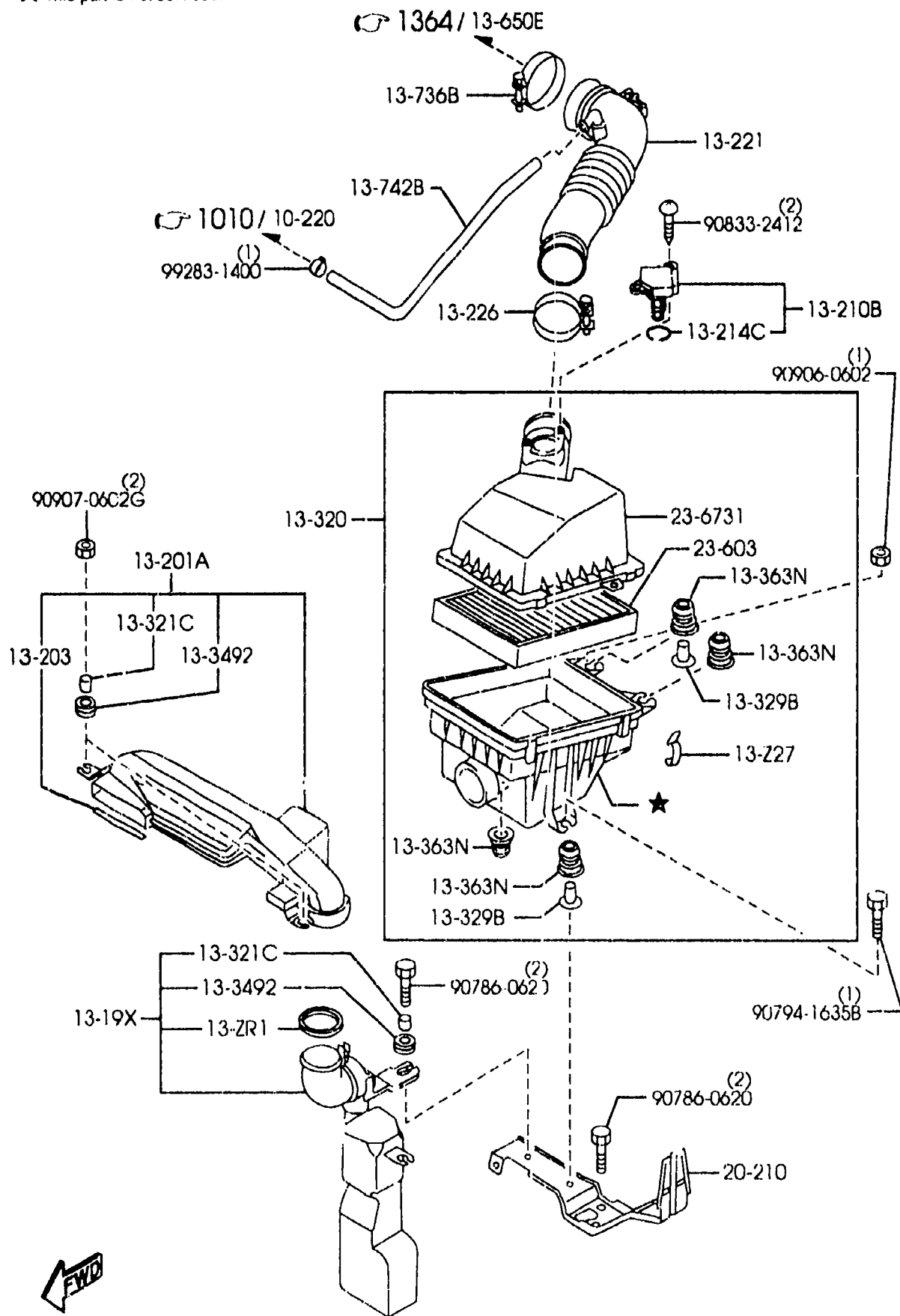
CAT. AUBA09-02

2001-07

1330AA AIR CLEANER
(1600CC)

1330AA-2 * AIR CLEANER
(1600CC)

★ This part is not serviced.



PART NO.	QTY	MODEL/RESTRICTION	MODEL/RESTRICTION	MODEL/RESTRICTION	FROM-TO
13-363N		RUBBER, MOUNTING	CAOUTCHOUC DE FIXATION		
FE51-13-363	4				
13-736B		CLAMP, HOSE	COLLIER, TUYAU FLEXIBLE		
B6CK-13-735	1				
13-742B		HOSE, VENTILATION	TUY., VENT.-BOIT. INTERMED.		
ZL01-13-742	1				
20-210		BRACKET, AIR CLEANER	ATTACHE, FILTRE AIR		
ZL01-20-210B	1				
23-603		ELEMENT, AIR CLEANER	ELEMENT, FILTRE A AIR		
B595-13-240	1				
23-6731		COVER, AIR CLEANER	CACHE		
ZL01-13-201A	1				-1829
*ZL01-13-201B	1				1829-

AUBA09

(2D64230)

CAT. AUBA09-02

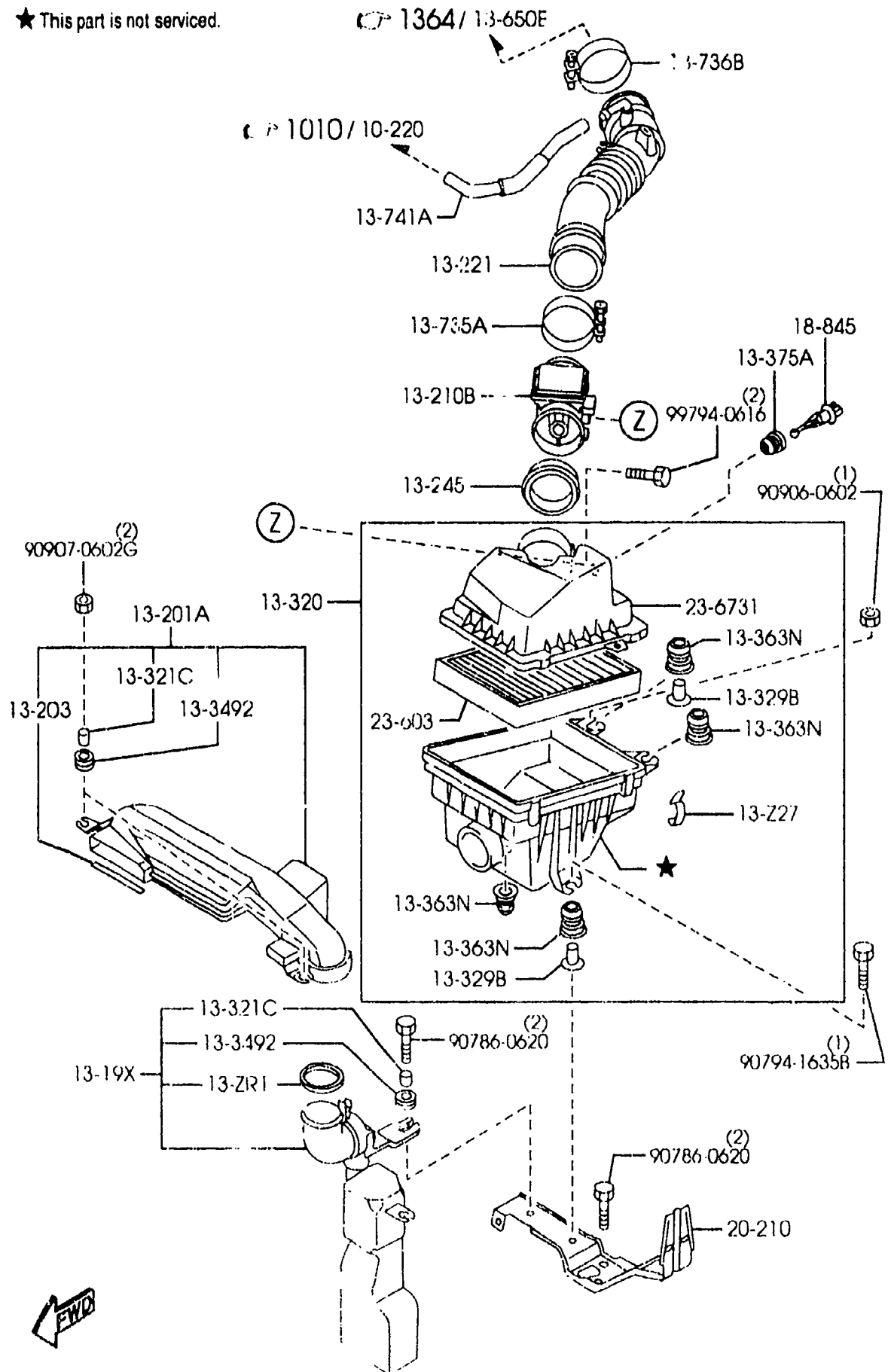
2001-07

1-M-5

1330AB AIR CLEANER
(2000CC)

1330AB-1 AIR CLEANER
(2000CC)

★ This part is not serviced.



PART NO.	QTY	MODEL/RESTRICTION	MODFI./RESTRICTION	MODEL/RESTRICTION	FROM-TO
13-ZR1		SEAL, AIR	JOINT HERMETIQUE		
ZL01-13-ZR1	1				
13-Z27		CLIP	COLLIER		
B593-13-Z27	2				
13-19X		CHAMBER, RESONANCE	CHAMBRE, RESONANCE		
ZL01-13-19XB	1				
13-201A		DUCT, FRESH AIR	CONDUITE D'AIR FRAIS		
ZL01-13-200C	1				
13-203		RUBBER, SEAL	CAOUT. , ETAN. - COND. AIR FRA		
ZL01-13-203	1				
13-210B		SENSOR, AIR FLOW	CAPTEUR DE DEBIT D'AIR		
FS1E-13-215	1				
13-221		HOSE, AIR	TUYAU, AIR		
FP47-13-220A	1				
13-245		JOINT, RUBBER	RACCORD DE CAOUTCHOU C		
B578-13-245B	1				
13-320		CLEANER, AIR	FILTRE A AIR		
FP47-13-320A	1				
*FP47-13-320B	1				-1901 1901-
13-321C		SPACER	RONDELLE		
FS05-13-321	4				
13-329B		SPACER	RONDELLE		
FE51-13-329	2				
13-3492		INSULATOR	I, SOLATEUR		
S501-13-349	4				
13-363N		RUBBER, MOUNT, NG	CAOUTCHOUC DE FIXATION		
FE51-13-363	4				

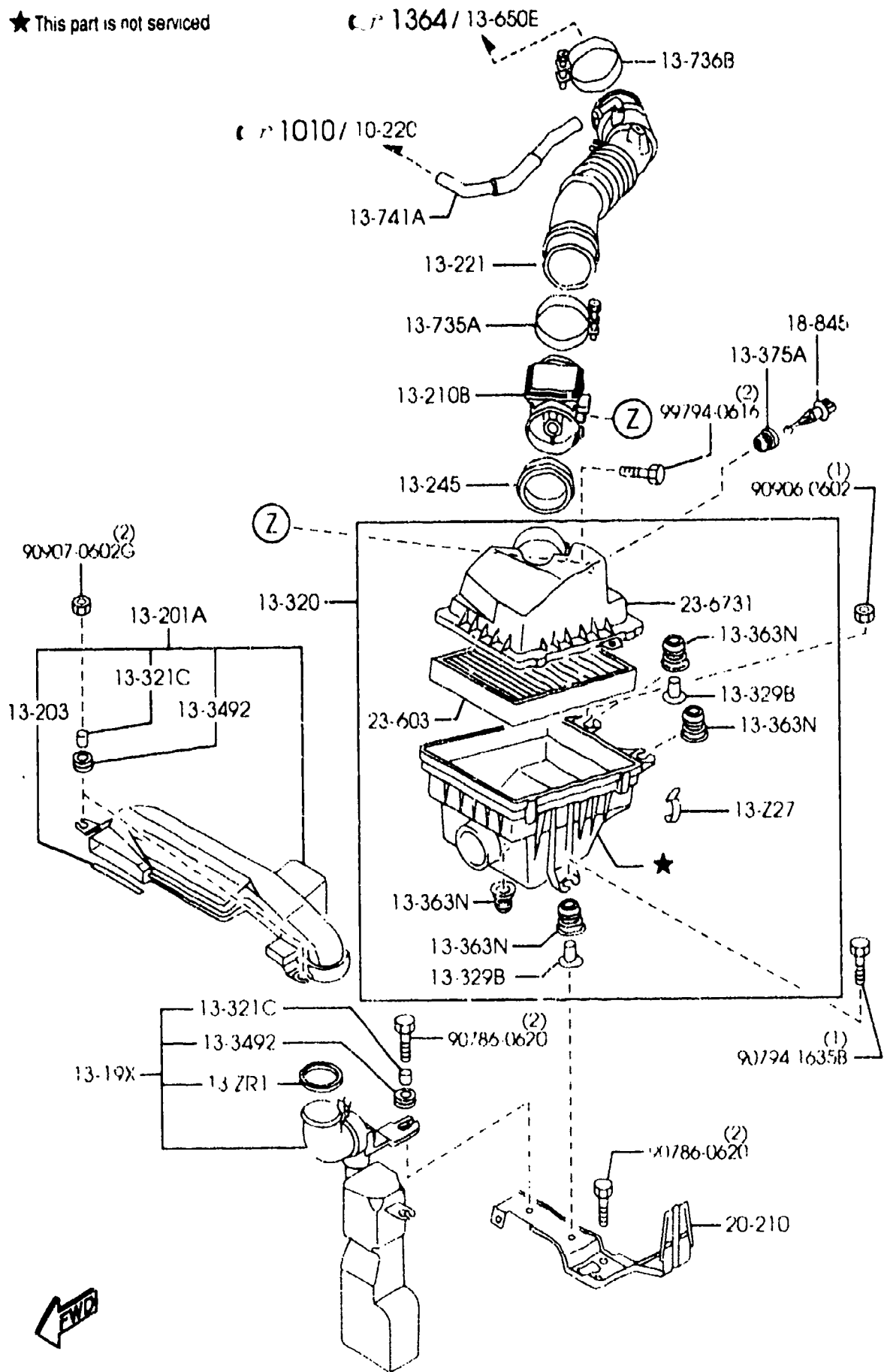
AUBA09

(2B66040)

CAT. AUBA09-02

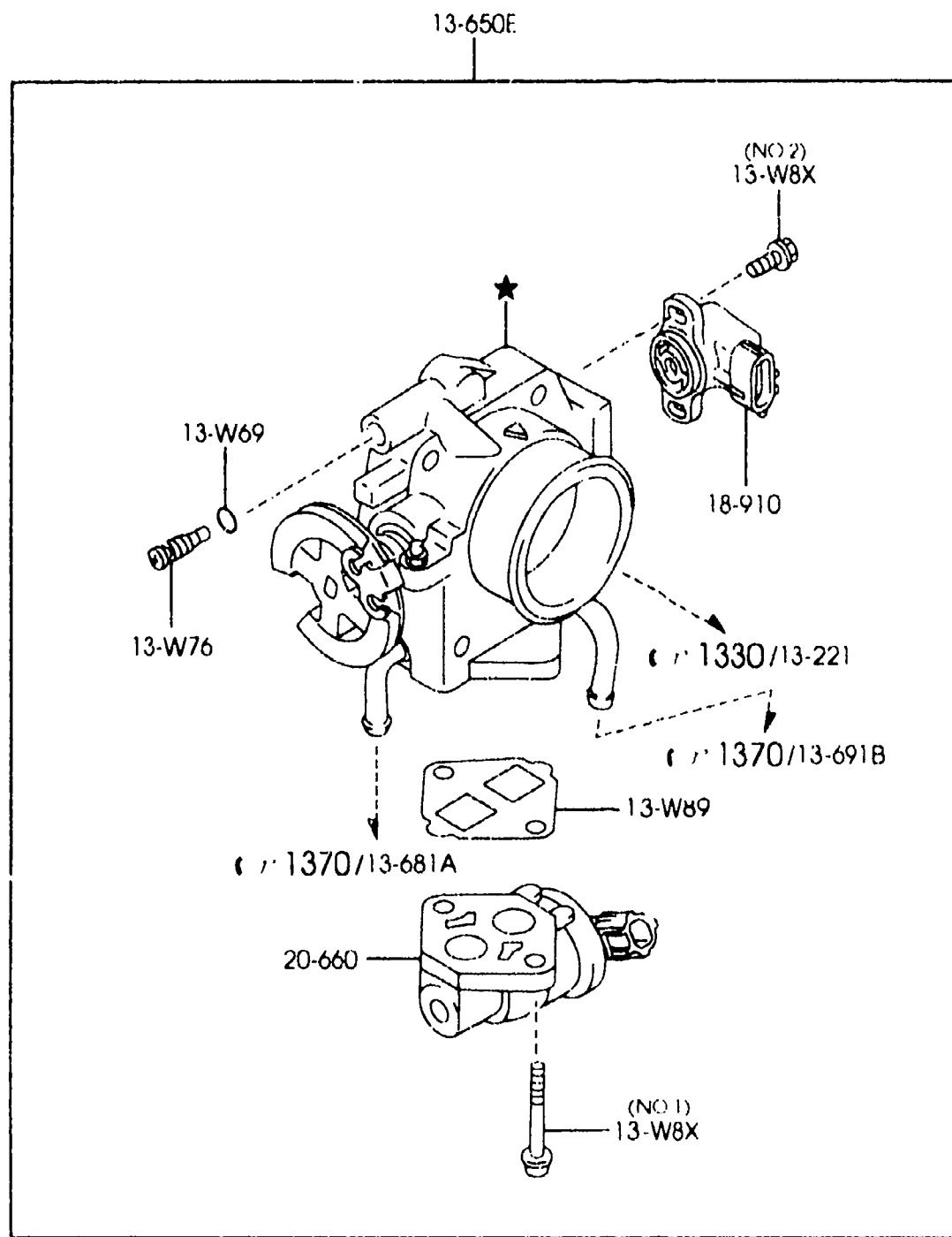
2001-07

★ This part is not serviced



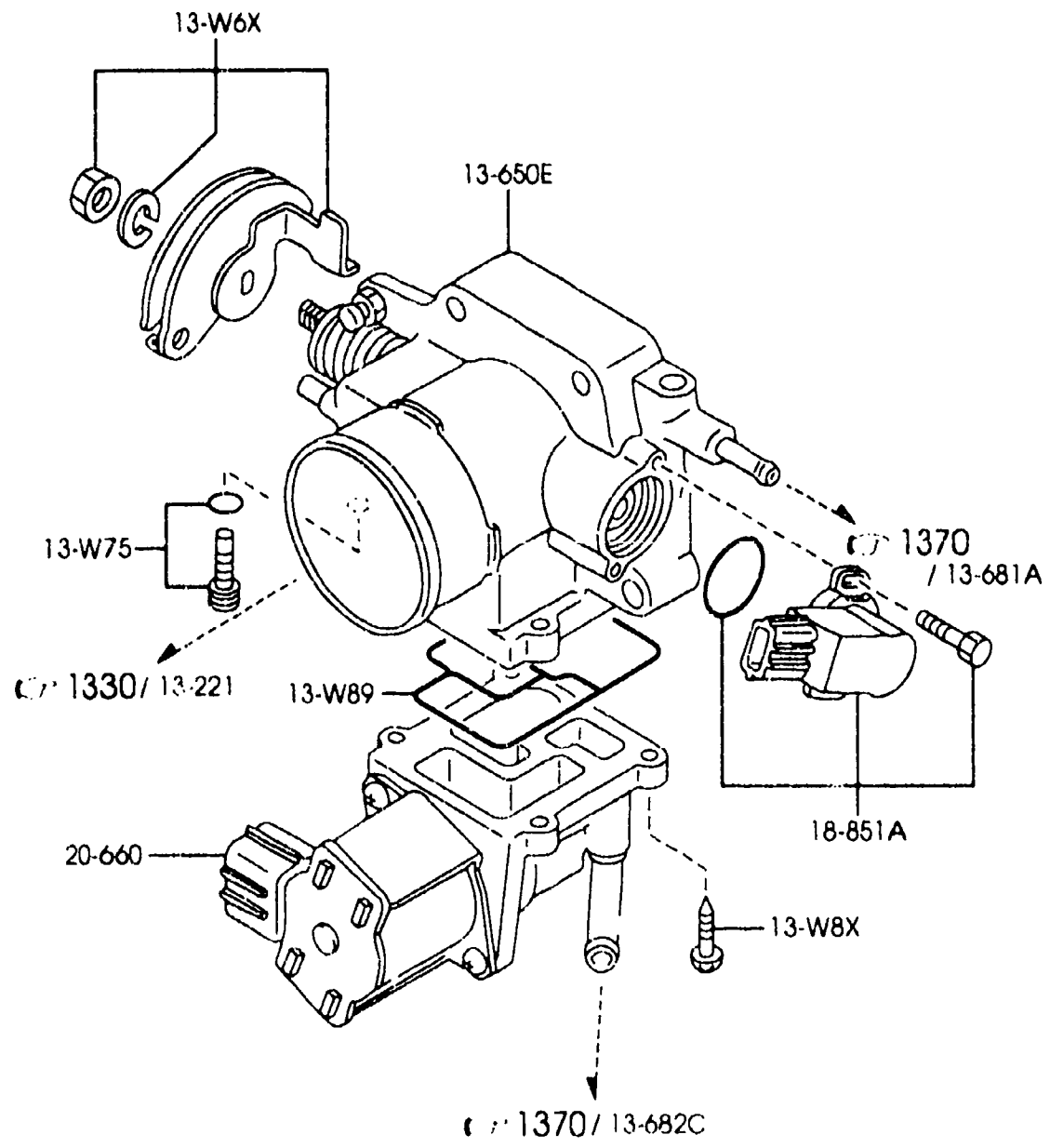
PART NO.	QTY	MODEL/RESTRICTION	MODEL/RESTRICTION	MODEL/RESTRICTION	FROM-TO
13-375A	1	GROMMET, EX. INSULATOR -LOW	BAGUE, ISOLANT EXT. -INF.		
KL47-13-375	1				
13-735A	1	CLAMP, HOSE	POSITONN. FLEX. -TUBE AIR		
FP47-13-735	1				
13-736B	1	CLAMP, HOSE	COLLIER, TUYAU FLEXIBLE		
B6CK-13-735	1				
13-741A	1	HOSE, VENTILATION	TUYAU FLEXIBLE, VENTILAT.		
FP47-13-741	1				
18-845	1	SENSOR, IN. AIR TEMP	CAPTEUR		
BP4W-18-845	1				
20-210	1	BRACKET, AIR CLEANER	ATTACHE, FILTRE AIR		
ZL01-20-210B	1				
23-603	1	ELEMENT, AIR CLEANER	ELEMENT, FILTRE A AIR		
B595-13-240	1				
23-6731	1	COVER, AIR CLEANER	CACHE		
FP47-13-201A	1				-1901
*FP47-13-201B	1				1901-

★ This part is not serviced



PART NO.	QTY	MODEL/RESTRICTION	MODEL/RESTRICTION	MODEL/RESTRICTION	FROM-TO
13-W69		RING, 'O'	JOINT 'O'		
K801-13-W69	1				
13-W76		SCREW, ID. ADJUST-TH. BODY	VIS, REGLAGE RALENTI-REGLA		
K801-13-W76	1				
13-W8X		SCREW & WASHER SET	JEU VIS & RONDELLE		
2P2Y-13-W8X	2 (ILLUST. NO.1)				
B551-13-W8X	2 (ILLUST. NO.2)				
13-W89		GASKET, THERMO	JOINT, THERMO		
BP2Y-13-W89	1				
13-650E		BODY, THROTTLE	CORPS, ETRANGLEUR		
ZM01-13-640A	1				
18-910		SENSOR, THROTTLE-CARB	CAPTEUR, PAPILLON-CARBURI.		
BP2Y-18-911A	1				
20-660		VALVE, IDLE AIR CONTR	SOUPAPE, CONTROLE AI BYPAS		
ZM01-20-660	1				

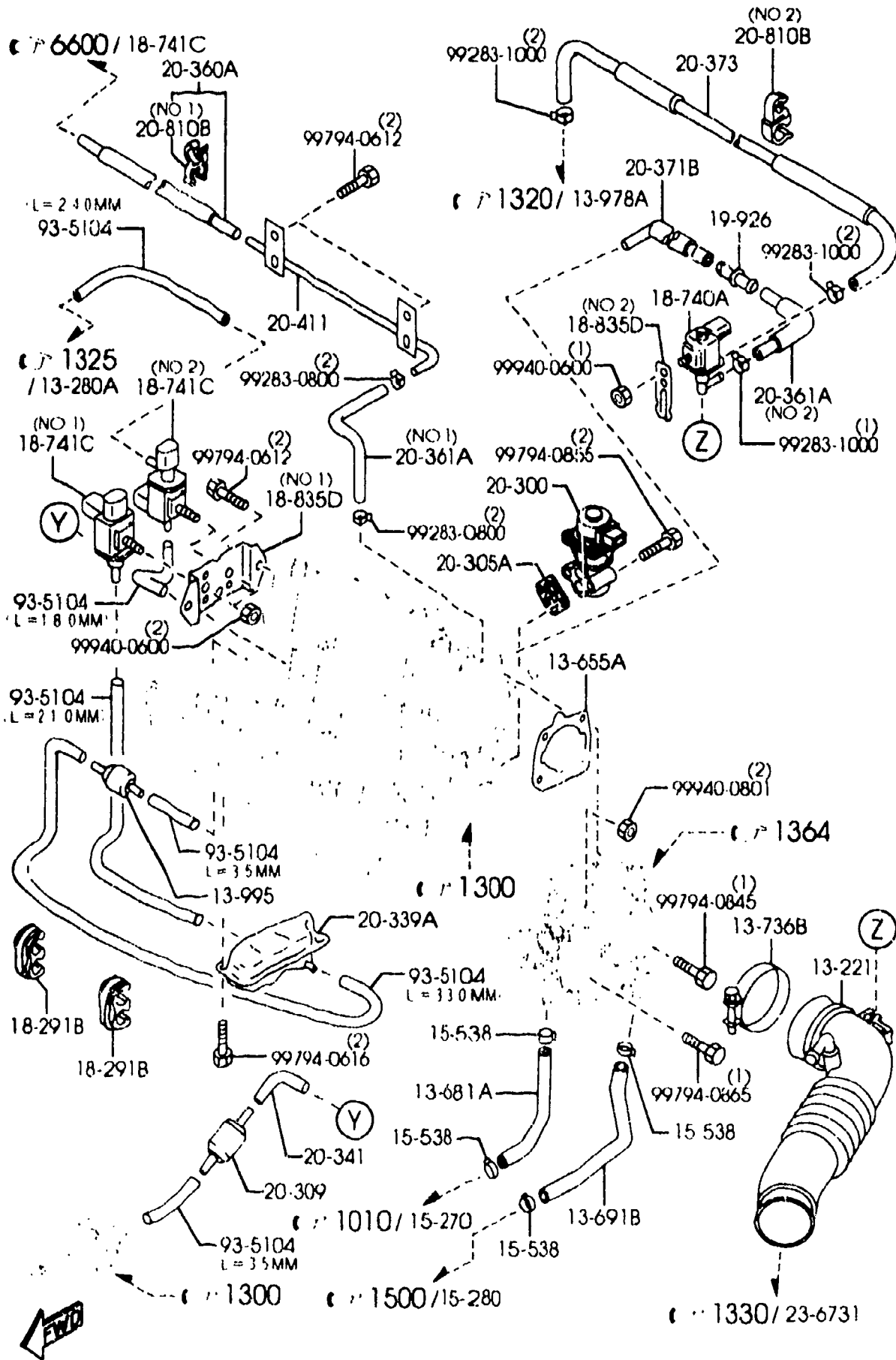




PART NO.	QTY	MODEL/RESTRICTION	MODEL/RESTRICTION	MODEL/RESTRICTION	FROM-TO
13-W6X FSD2-13-W6X	1	LEVER SET, THROTTLE BODY	BLOC-LEVIER, PORTE-CLAPET		
13-W75 F8B3-13-W75	1	SCREW SET, IDLE ADJUST-TH.	VIS GROUPE, REGLAGE RALENT		
13-W8X FS01-13-W8X	4	SCREW & WASHER SET	JEU VIS & RONDELLE		
13-W89 FSD7-13-W89	1	GASKET, THERMO	JOINT, THERMO		
13-650E FSD7-13-650	1	BODY, THROTTLE	CORPS, ETRANGLEUR		
18-851A FS01-13-SLO	1	SENSOR, THROTTLE	CAPTEUR, PAPILLON		
20-660 FSN5-20-660B	1	VALVE, IDLE AIR CONTROL	SOUPAPE, CONTROLE AIR BYPAS		

1370AA EMISSION CONTROL SYSTEM (INLET SIDE)
(1600CC)

1370AA-1 EMISSION CONTROL SYSTEM (INLET SIDE)
(1600CC)



PART NO.	QTY	MODEL/RESTRICTION	MODEL/RESTRICTION	MODEL/RESTRICTION	FROM-TO
13-221		HOSE, AIR	TUYAU, AIR		
ZM01-13-220	1				
13-655A		GASKET	JOINT		
B6BF-13-655	1				
13-681A		HOSE, WATER	TUYAU FLEXIBLE, EAU		
ZM01-13-681	1				
13-691B		HOSE, WATER	TUYAU FLEXIBLE, EAU		
ZM01-13-691A	1				
13-736B		CLAMP, HOSE	COLLIER, TUYAU FLEXIBLE		
B6CK-13-735	1				
13-995		VALVE, CHECK	SOUPAPE DE RETENUE		
HE41-13-995	1				
15-538		CLAMP, WATER HOSE	COLLIER, FLEXIBLE EAU		
B6BF-15-538	4				
18-291B		CLAMP, HOSE	ETRIER		
HE21-18-291	2				
18-740A		VALVE, SOLENOID	SOUPAPE DE SOLENOID		
Z504-18-741A	1				
18-741C		VALVE, SOLENOID	SOUPAPE DE SOLENOID		
BP5W-18-741	1 (ILLUST. NO. 1)				
ZM03-18-741	1 (ILLUST. NO. 2)				
18-835D		BRACKET, SOLENOID VALVE	SUPPORT, SOUPAPE SOLENOIDE		
JE97-18-837B	1 (ILLUST. NO. 1)				
ZM01-18-837	1 (ILLUST. NO. 2)				
19-926		CONNECTOR	CONNECTEUR		
FA01-19-926	1				
20-300		VALVE, E.G.R.	VALVE DE RECYC. GAZ D'ECH.		
BP6F-20-300	1				

AUBA09

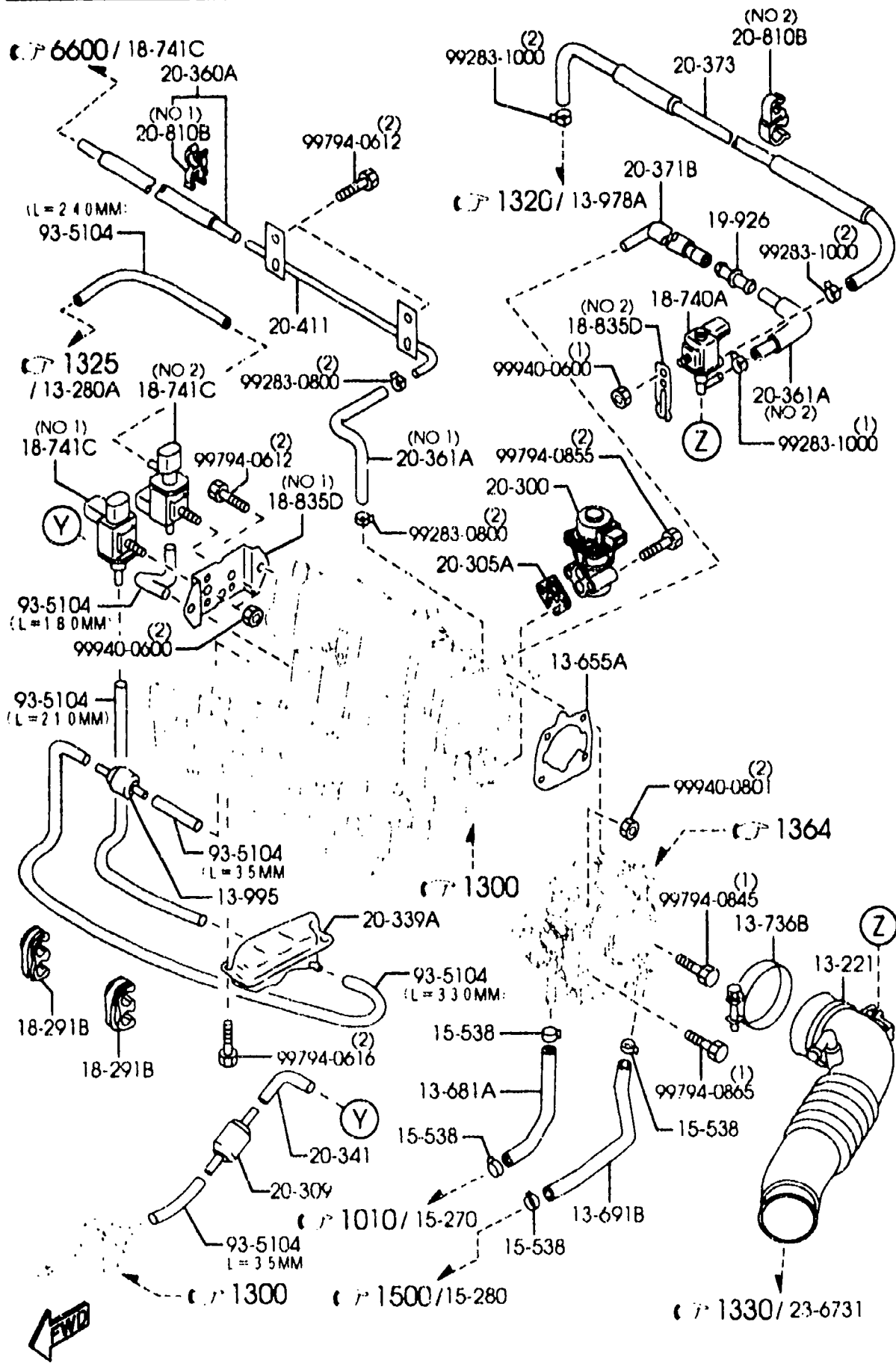
(2B53230)

CAT. AUBA09-02

2001-07

1370AA EMISSION CONTROL SYSTEM (INLET SIDE)
(1600CC)

1370AA-2 * EMISSION CONTROL SYSTEM (INLET SIDE)
(1600CC)



AUBA09

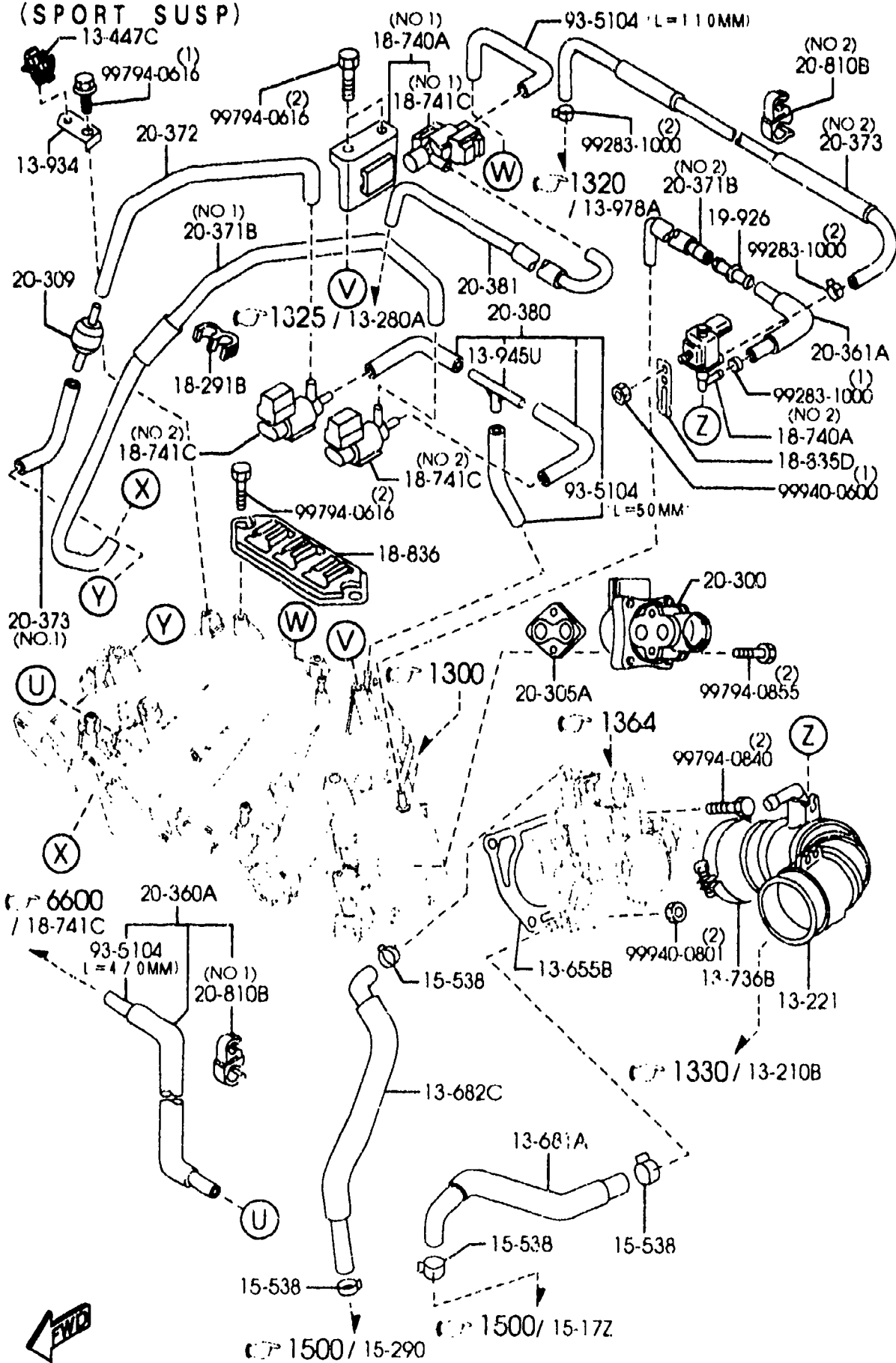
(2B53230)

PART NO.	QTY	MODEL/RESTRICTION	MODEL/RESTRICTION	MODEL/RESTRICTION	FROM-TO
20-305A	1	GASKET, E.G.R. VALVE	JOINT,		
JE27-20-305A	1				
20-309	1	VALVE, VACUUM DELAY	SOUPAPE DE RETARD A DEPRES.		
8574-20-309	1				
20-339A	1	CHAMBER, VACUUM	CHAMBRE DE DEPRESSION		
KL02-20-339	1				
20-341	1	HOSE, VACUUM	TUBE, VIDE-CONTACTEUR VIDE		
FE68-20-341	1				
20-360A	1	TUBE, VACUUM	RACCORD, CAPSULE A DE PRESSION		
ZM01-20-360A	1				
20-361A	1	TUBE, VACUUM	TUBE, VIDE		
ZM01-20-361A	1	(ILLUST. NO.1)			-0C01
ZM39-20-361 A (ZM39-20-361A)	1	(ILLUST. NO.2)			0C01-
ZM39-20-361A	1	(ILLUST. NO.2)			
20-371B	1	TUBE, VACUUM	TUYAU DEPRESSION		
Z544-20-371A	1				
20-373	1	TUBE, VACUUM	TUYAU, DEPRESSION		
ZM01-20-373B A (ZM01-20-373C)	1				-1201
ZM01-20-373C	1				1201-
20-411	1	PIPE, VACUUM	TUYAU, VIDE		
ZM02-20-410	1				
20-810B	1	CLIP	COLLIER		
ZM01-20-810	1	(ILLUST. NO.1)			
ZM02-20-810	1	(ILLUST. NO.2)			
93-5104	1	HOSE	FLEXIBLE ESSENCE		
99351-04999	1	L=1M CUT IT TO USE	L=1M CUT IT TO USE		
<p>0C01 BJ22* -406227 1201 BJ22* -430345</p>					

CAT. AUBA09-02

2001-07

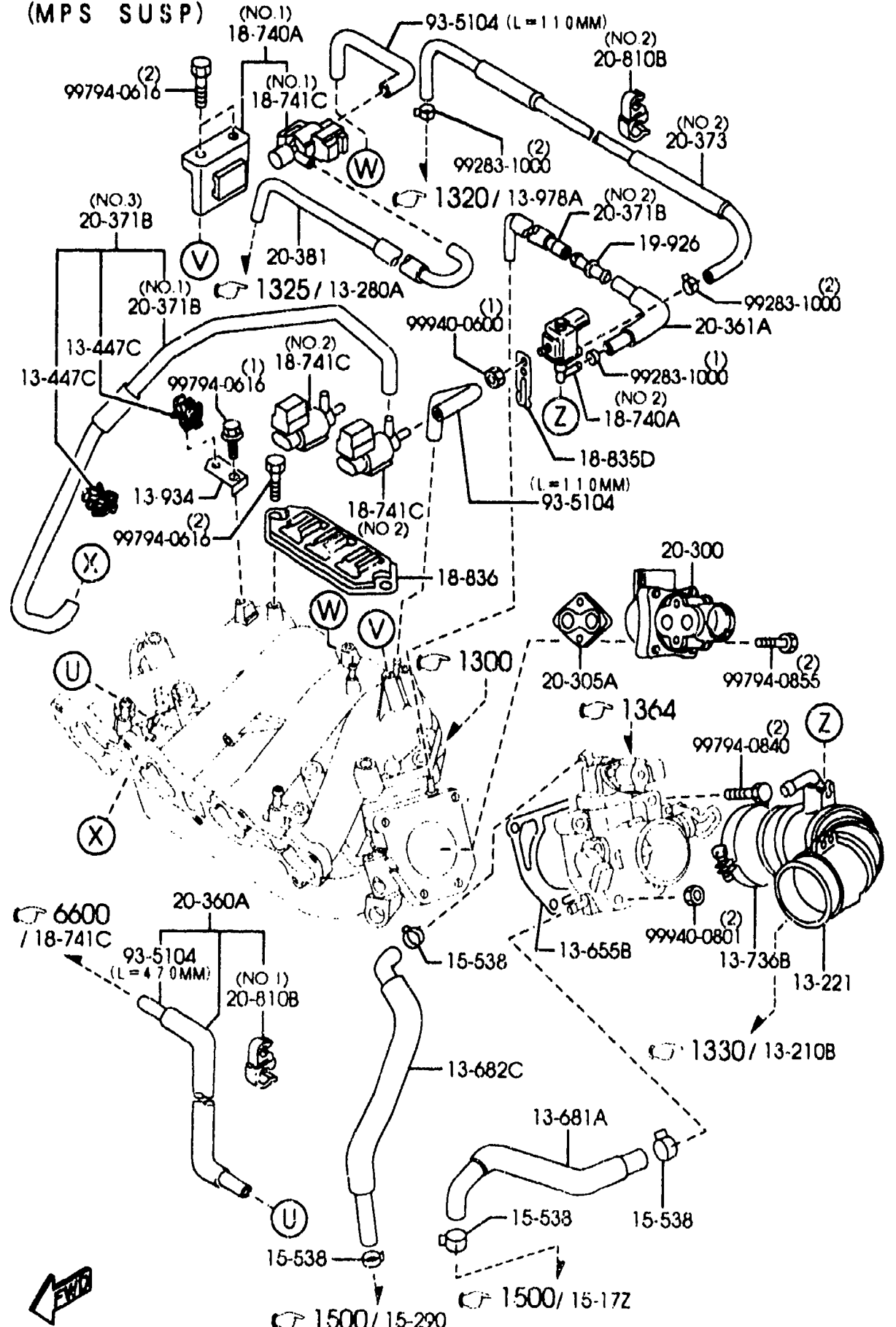
(SPORT SUSP)



AUBA09

(2B58781)

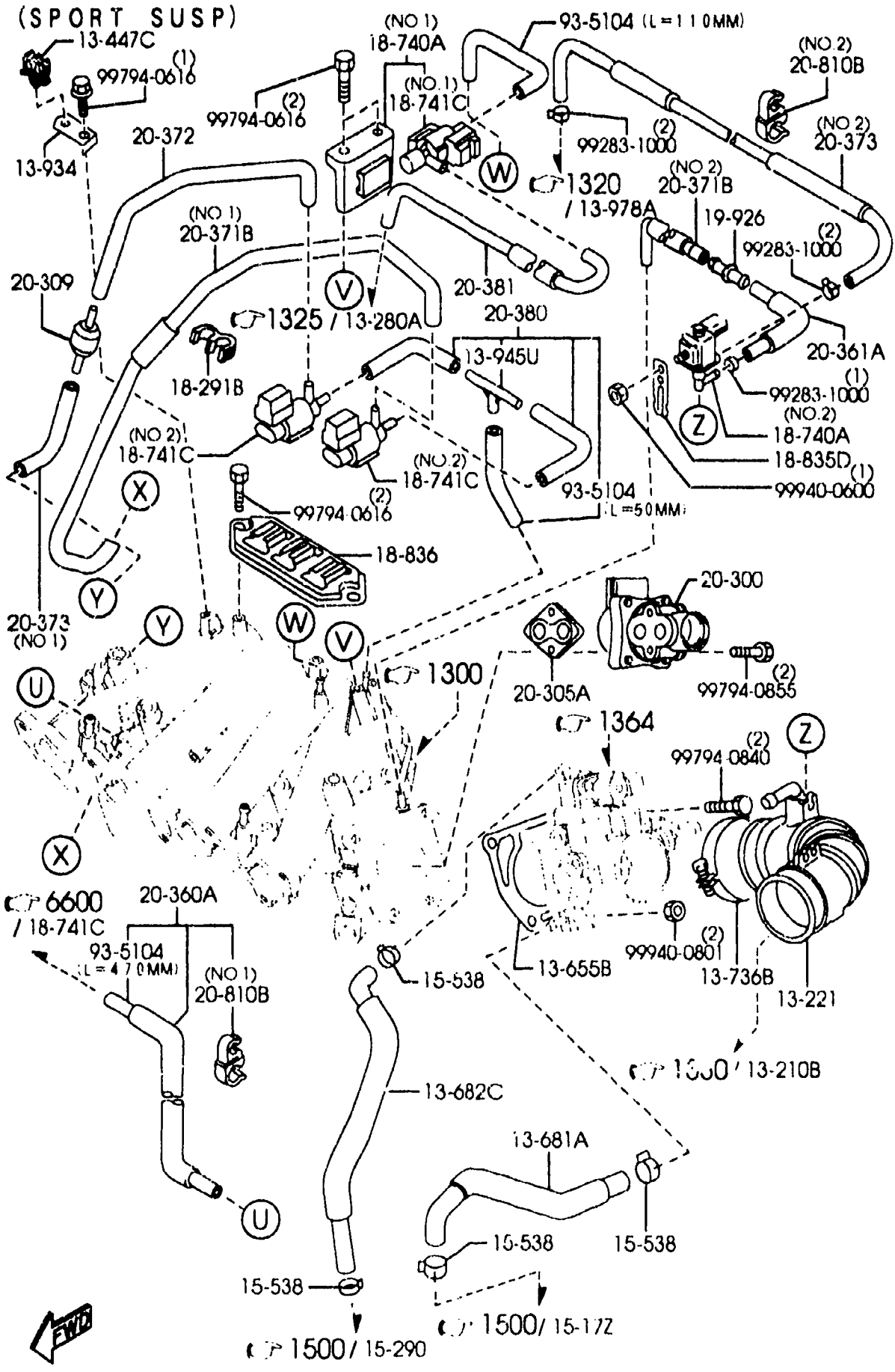
(MPS SUSP)



AUBA09

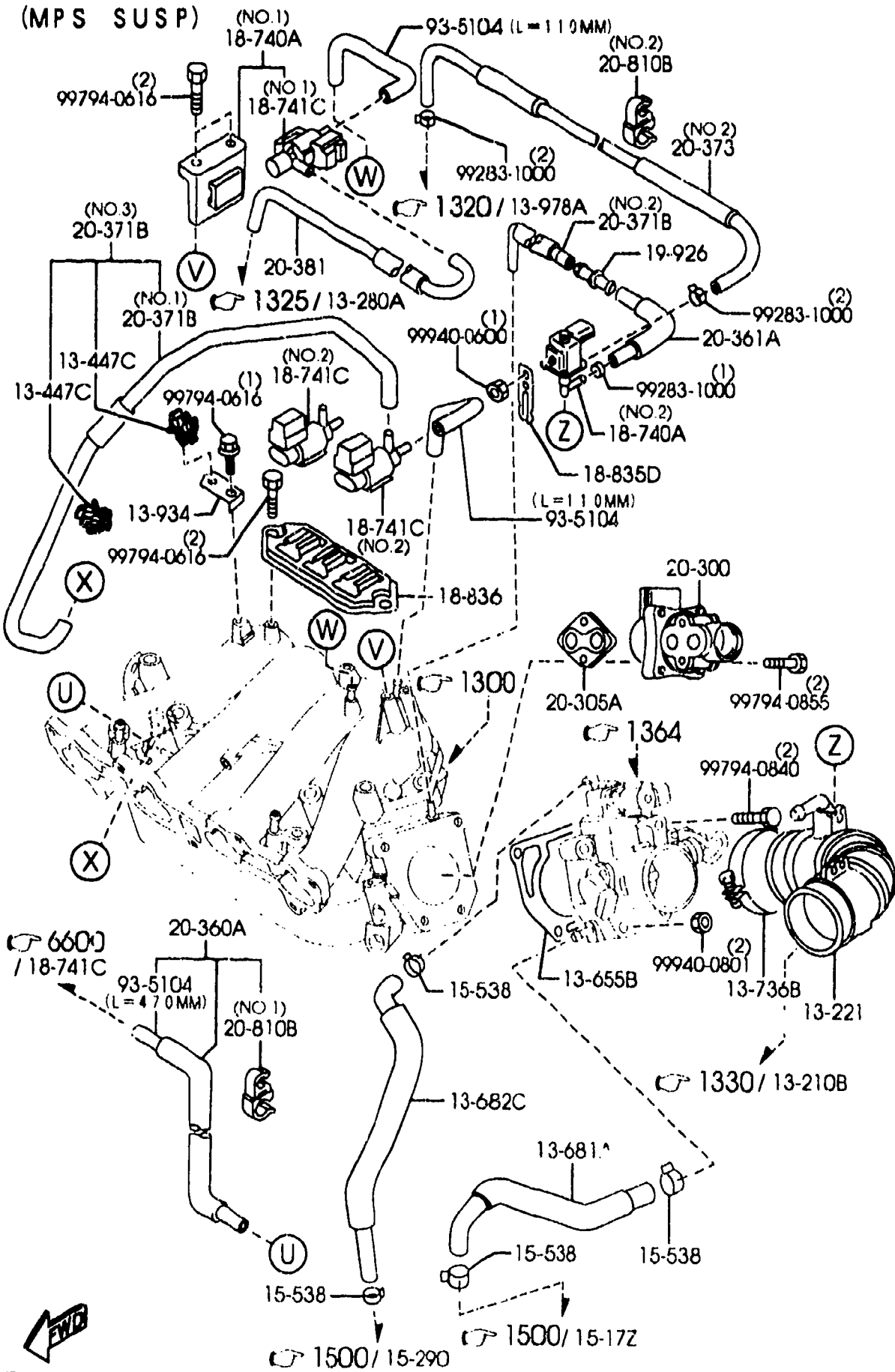
(2B58782)

(SPORT SUSP)



PART NO.	QTY	MODEL/RESTRICTION	MODEL/RESTRICTION	MODEL/RESTRICTION	FROM-TO
13-221		HOSE, AIR	TUYAU, AIR		
FP47-13-220A	1				
13-447C		CLAMP, HOSE	COLLIER DE SERRAGE		
RF67-13-447	1 (SPORT SUSP)		(SUSP. SPORTIVE)		
RF67-13-447	2 (MPS SUSP)		(SUSP. MPS)		
13-655B		GASKET, THROTTLE BODY	GARNIT., CORPS ETRANG		
FP87-13-655	1	NIHONGASKET	NIHONGASKET		
		(SUPPLIER IN SELECTION)			
FS01-13-655	1	KOKUSEIBUHINKOGYO	KOKUSEIBUHINKOGYO		
		(SUPPLIER IN SELECTION)			
13-681A		HOSE, WATER	TUYAU FLEXIBLE, EAU		
FSJ2-13-681B	1				
13-682C		HOSE, WATER	TUYAU FLEXIBLE, EAU		
FSJ2-13-682	1				
13-736B		CLAMP, HOSE	COLLIER, TUYAU FLEXIBLE		
B6CK-13-735	1				
13-934		CLIP	COLLIER		
FS35-13-934	1				
13-945U		CONNECTOR, VAC. TUBE	RACCORD		
FE4S-13-945	1 (SPORT SUSP)		(SUSP. SPORTIVE)		
15-538		CLAMP, WATER HOSE	COLLIER, FLEXIBLE EAU		
FSBF-15-538	4				
18-291B		CLAMP, HOSE	ETRIER		
HE21-18-291	1 (SPORT SUSP)		(SUSP. SPORTIVE)		
18-740A		VALVE, SOLENOID	SOUPAPE DE SOLENOID		
B66S-18-740	1 (ILLUST. NO. 1)				
Z504-18-741A	1 (ILLUST. NO. 2)				
18-741C		VALVE, SOLENOID	SOUPAPE DE SOLENOID		
FS05-18-741	1 (ILLUST. NO. 1)				

(MPS SUSP)



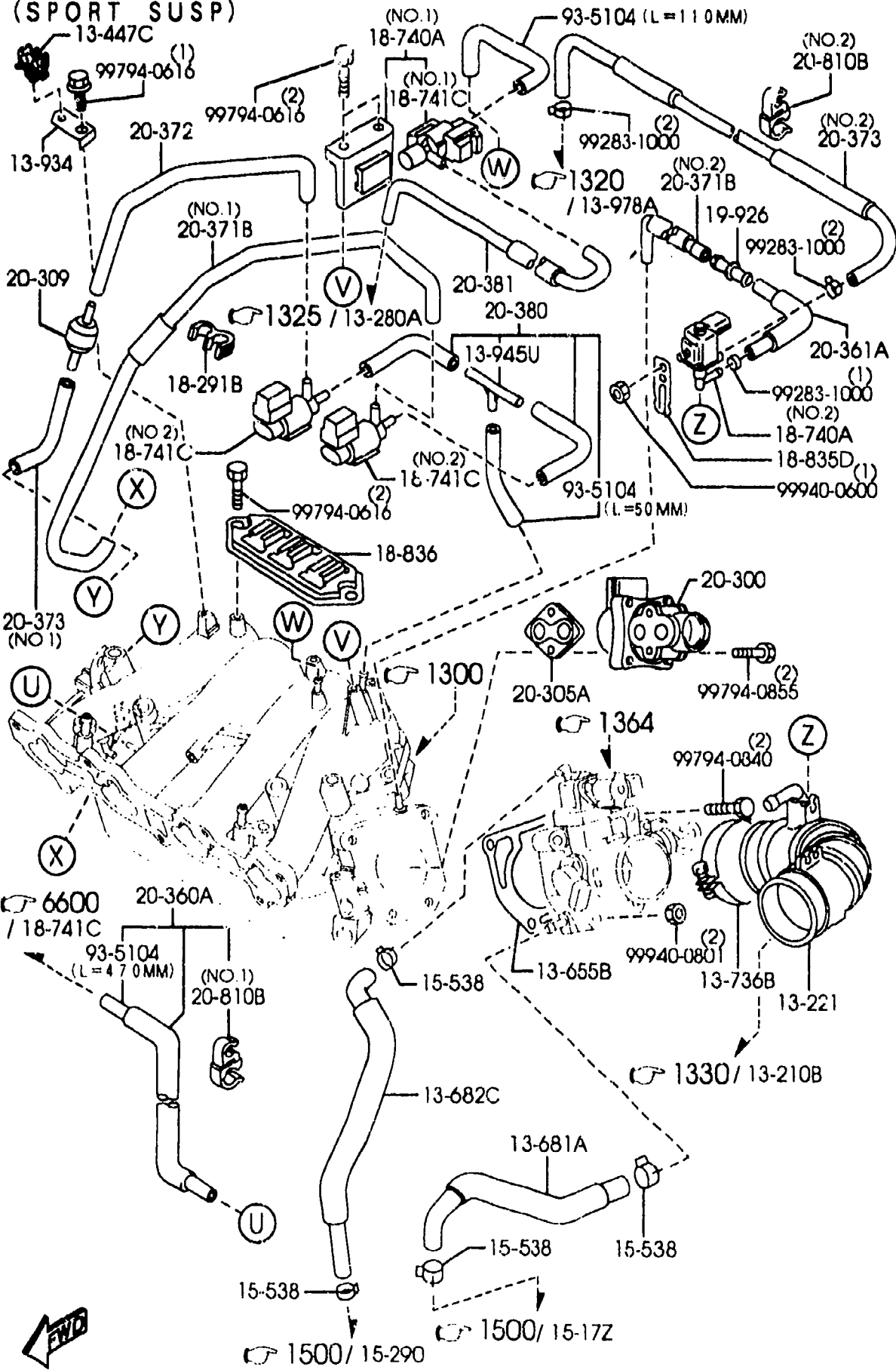
PART NO.	QTY	MODEL/RESTRICTION	MODEL/RESTRICTION	MODEL/RESTRICTION	ROW-TO
CONT'D					
KL01-18-741	2	(ILLUST. NO.2)			
18-835D		BRACKET, SOLENOID VALVE	SUPPORT, SOUPAPE SOLENOIDE		
ZM01-18-837	1				
18-836		BRACKET, LEVEL BOX	SUPPORT BOITE NIVEAU		
JE98-18-836	1				
19-926		CONNECTOR	CONNECTEUR		
FA01-19-926	1				
20-300		VALVE, E.G.R.	VALVE DE RECYC. GAZ D'ECH.		
FP34-20-300B	1				
20-305A		GASKET, E.G.R. VALVE	JOINT,		
JE27-20-305A	1				
20-309		VALVE, VACUUM DELAY	SOUPAPE DE RETARD A DEPRES.		
8574-20-309	1	(SPORT SUSP)	(SUSP. SPORTIVE)		
20-360A		TUBE, VACUUM	RACCORD, CAPSULE A DEPRESSION		
FP49-20-360	1				
20-361A		TUBE, VACUUM	TUBE, VIDE		
ZM39-20-361A (ZM39-20-361A)	1				-0C01
ZM39-20-361A	1				0C01-
20-371B		TUBE, VACUUM	TUYAU DEPRESSION		
FS9N-20-370	1	(ILLUST. NO.3) (MPS SUSP)	(SUSP. MPS)		
FS7N-20-371A	1	(ILLUST. NO.1)			
Z544-20-371A	1	(ILLUST. NO.2)			
20-372		TUBE, VACUUM	RACCORD, CAPSULE A DE		
FS7N-20-372A	1	(SPORT SUSP)	(SUSP. SPORTIVE)		
20-373		TUBE, VACUUM	TUYAU, DEPRESSION		
FS7N-20-373	1	(ILLUST. NO.1) (SPORT SUSP)	(SUSP. SPORTIVE)		
ZM01-20-373B A (ZM01-20-373C)	1	(ILLUST. NO.2)			-1201

0C01 BJ22* -406227
1201 BJ22* -430345

1370AB EMISSION CONTROL SYSTEM (INLET SIDE)
(2000CC)

(1/2)

(SPORT SUSP)



1370AB-3 * EMISSION CONTROL SYSTEM (INLET SIDE)
(2000CC)

PART NO.	QTY	MODEL/RESTRICTION	MODEL/RESTRICTION	MODEL/RESTRICTION	FROM-TO
CDNT'D ZM01-20-373C	1	(ILLUST. NO.2)			1201-
+-----+ 20-380 +-----+		TUBE,VACUUM	RACCORD,CAPSULE A DE PRESSION (SUSP. SPORTIVE)		
FS7N-20-380	1	(SPORT SUSP)			
+-----+ 20-381 +-----+		TUBE,VACUUM	RACCORD,CAPSULE A DE PRESSION		
FP87-20-381B	1				
+-----+ 20-810B +-----+		CLIP	COLLIER		
JE15-20-810	1	(ILLUST. NO.1)			
ZM02-20-810	1	(ILLUST. NO.2)			
+-----+ 93-5104 +-----+		HOSE	FLEXIBLE ESSENCE		
99351-04999	1	L=1M CUT IT TO USE	L=1M CUT IT TO USE		
1201 BJ22* -430345					

AUBA09

(2B58781)

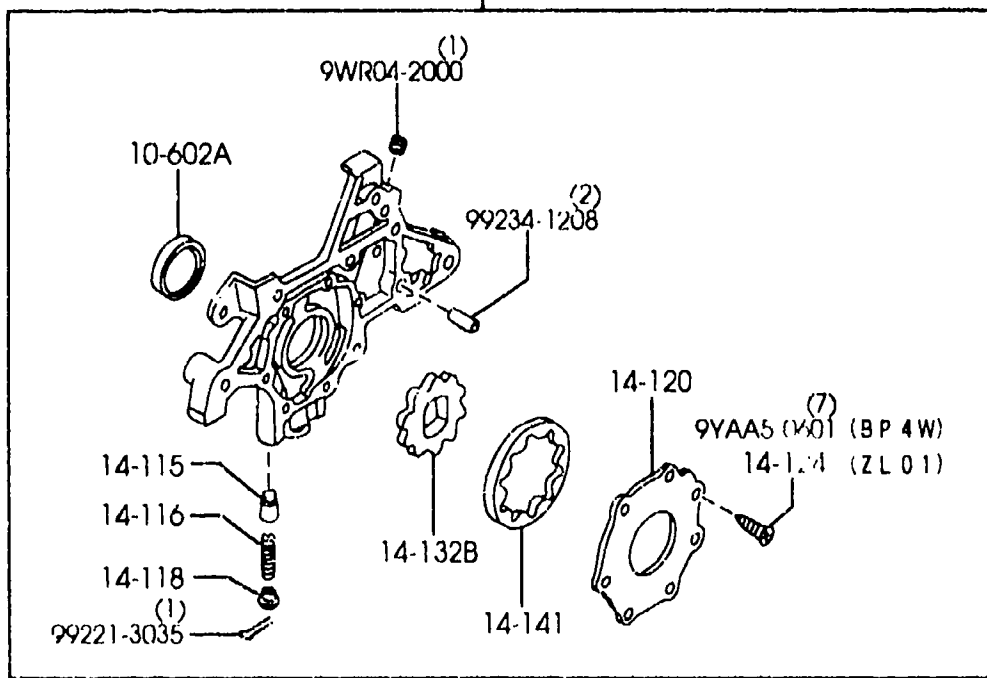
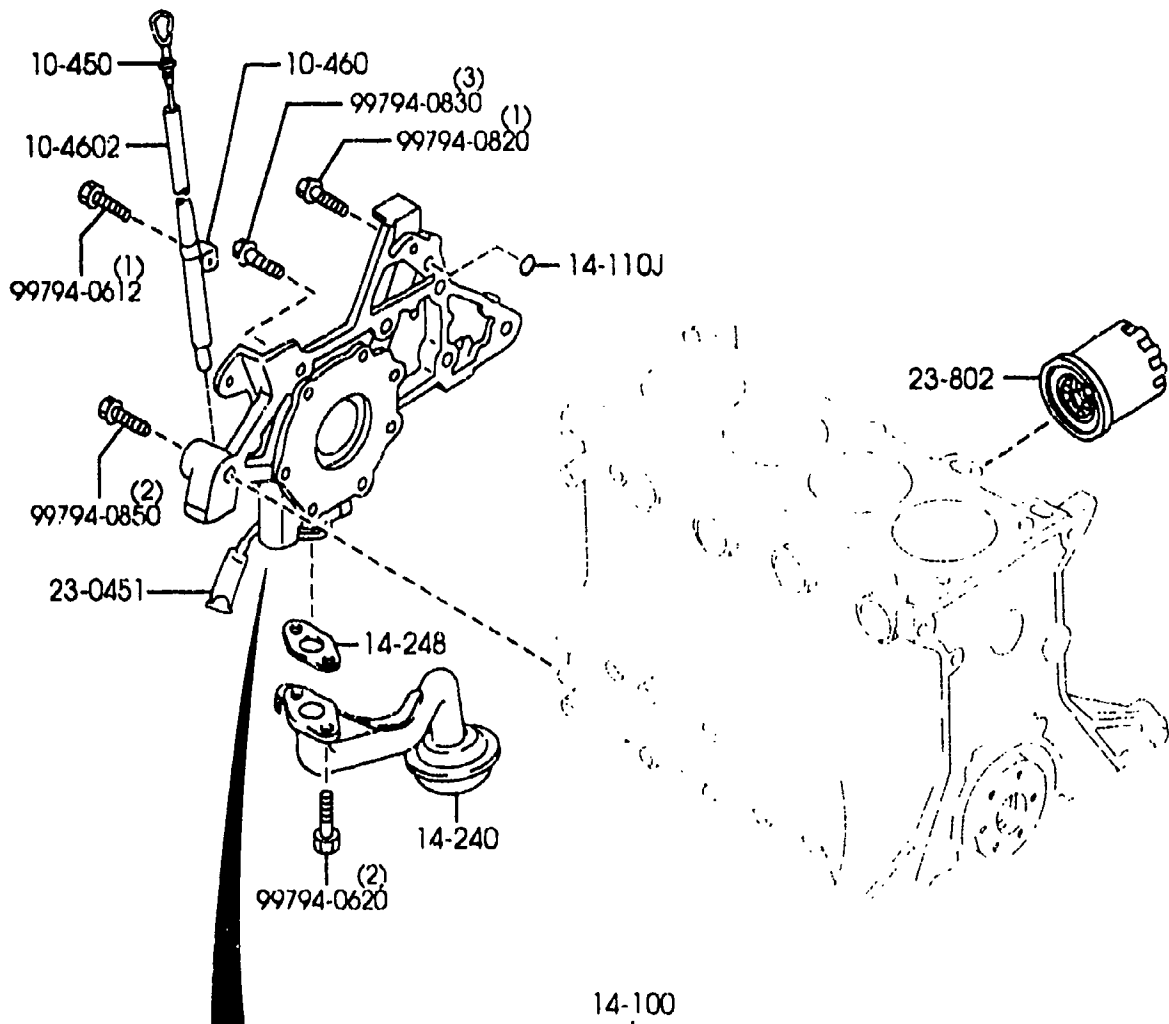
CAT. AUBA09-02

2001-07

1-K 6

1400AA OIL PUMP & FILTER
(1600CC)

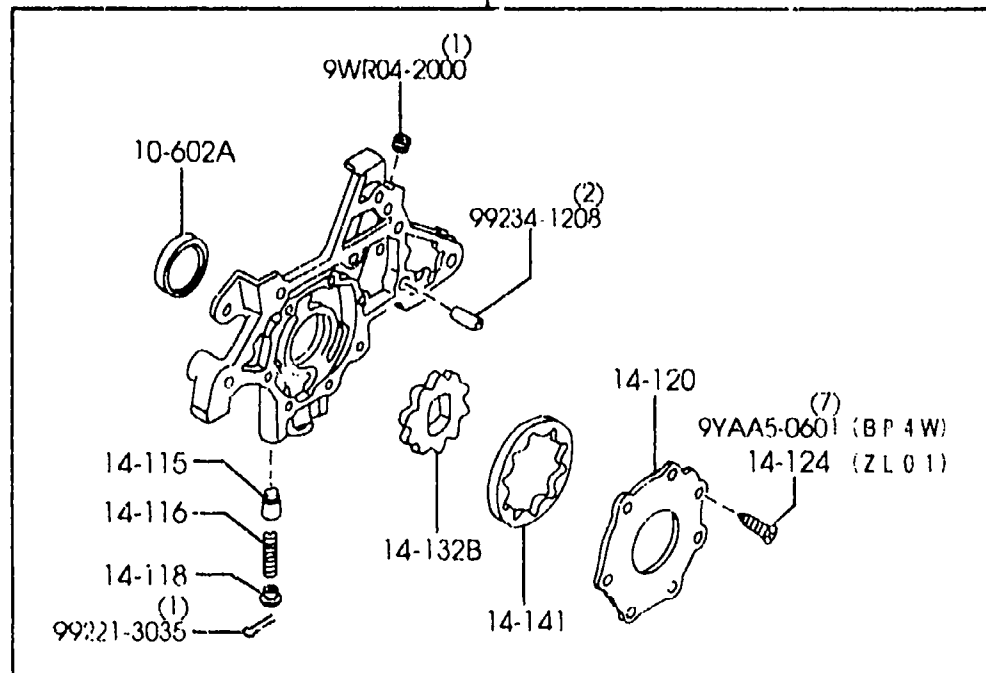
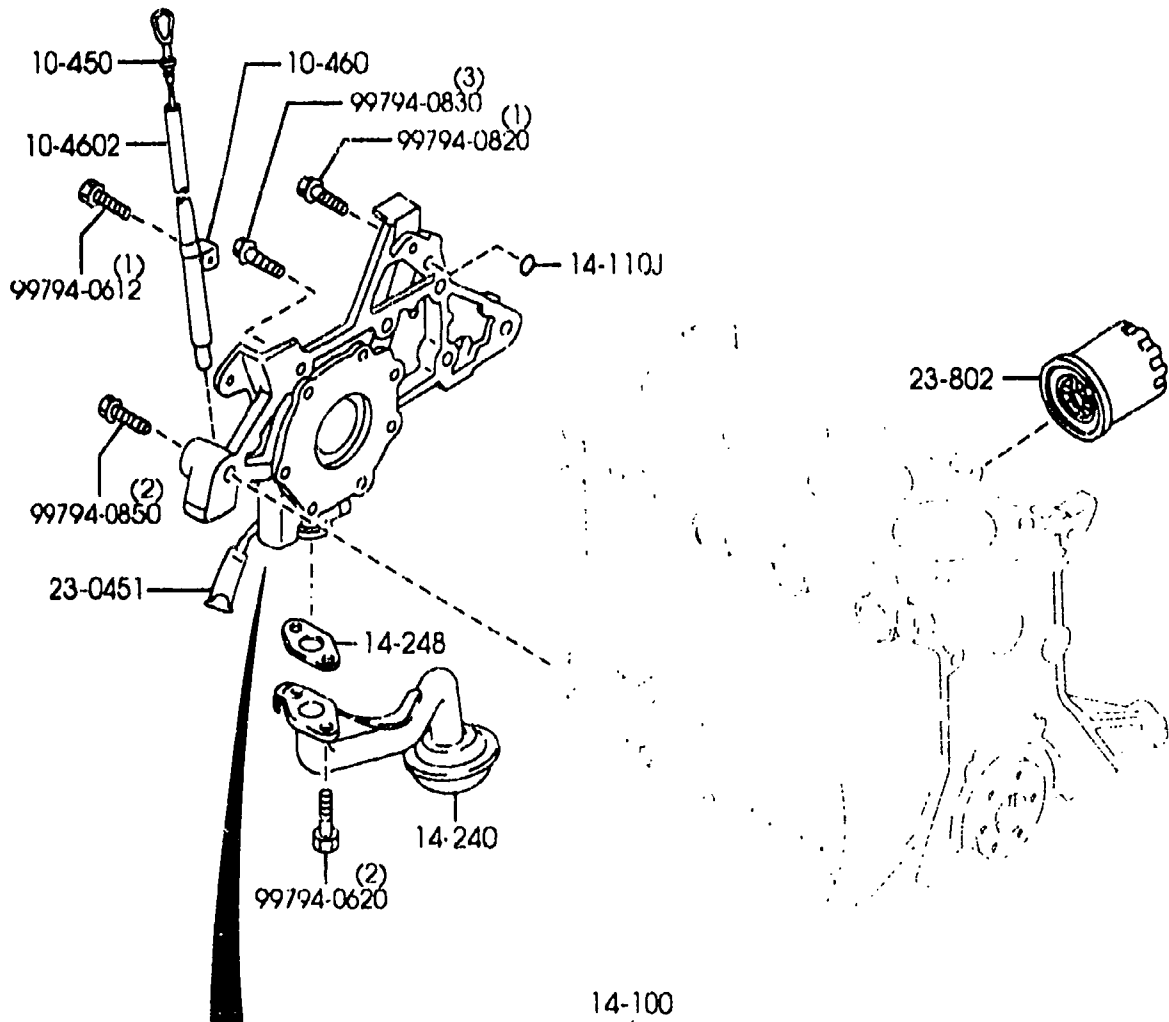
1400AA-1 OIL PUMP & FILTER
(1600CC)



PART NO.	QTY	MODEL/RESTRICTION	MODEL/RESTRICTION	MODEL/RESTRICTION	FROM-TO
10-450 BPD3-10-450C	1	GAUGE, OIL LEVEL IDENTIFY MARK (BPD3)	JAUGE, NIVEAU D'HUILE IDENTIFY MARK (BPD3)		
10-460 B660-10-445B	1	STAY, OIL LEVEL GAUGE	ETAI, JAUGE D'HUILE		
10-4602 B660-10-441	1	PIPE, OIL LEVEL GAUGE	TUYAU, JAUGE DE NIVEAU D'H		
10-602A B3C7-10-602A	1	SEAL, OIL NON ASBESTOS	ARRET D'HUILE NON ASBESTOS		
14-100 BP4W-14-100A ZL01-14-100	1	PUMP, OIL IDENTIFY MARK (BP4W)	POMPE A HUILE IDENTIFY MARK (BP4W)		
14-110J FE1H-14-122A	1	RING, 'O'	JOINT 'O'		
14-115 ZL01-14-115 0221-14-115	1	PLUNGER, CONTROL IDENTIFY MARK (ZL01))	PLONGEUR DE SURETE		
14-116 ZL01-14-116 0324-14-116B	1	SPRING, PRESSURE IDENTIFY MARK (ZL01))	RESSORT, PRESSION		
14-118 ZL01-14-118 0222-14-118	1	SHOULDER, SPRING IDENTIFY MARK (ZL01))	SIEGE DE RESSORT		
14-120 B68F-14-121	1	COVER, OIL PUMP IDENTIFY MARK (BP4W))	COUVERCLE POMPE A HUILE		

1400AA OIL PUMP & FILTER
(1600CC)

1400AA-2 * OIL PUMP & FILTER
(1600CC)



PART NO.	QTY	MODEL/RESTRICTION	MODEL/RESTRICTION	MODEL/RESTRICTION	FROM-TO
CONT'D					
ZL01-14-121	1	(IDENTIFY MARK (ZL01))			
14-124		SCREW, OIL PUMP COVER	VIS		
ZL01-14-124	7	SANYCO (IDENTIFY MARK (ZL01))	SANYCO		
14-132B		GEAR, INNER	PIGNON INT.		
B6S7-14-132	1	(IDENTIFY MARK (BP4W))			
ZL01-14-132	1	(IDENTIFY MARK (ZL01))			
14-141		GEAR, OUTER	PIGNON EXT.		
B6S7-14-141	1	(IDENTIFY MARK (BP4W))			
ZL01-14-141	1	(IDENTIFY MARK (ZL01))			
14-240		STRAINER, OIL	TAMIS D'HUILE		
B366-14-240C	1	NITECH	NITECH		
14-248		GASKET, OIL STRAINER	JOINT		
B6BF-14-248	1				
23-0451		TUBE, SILICON	TUBE DE SILICONE		
8527-77-739	1				
23-802		CARTRIDGE, OIL FILTER	ELEMENT, FILTRE A HUILE		
B6Y1-14-302A	1	(MAZDA MARK T.ROKI) (SUPPLIER IN SELECTION)	(MAZDA MARK T.ROKI)		
B6Y2-14-302	1	(MAZDA MARK-TENNEX) (SUPPLIER IN SELECTION)	(MAZDA MARK-TENNEX)		

AU3A09

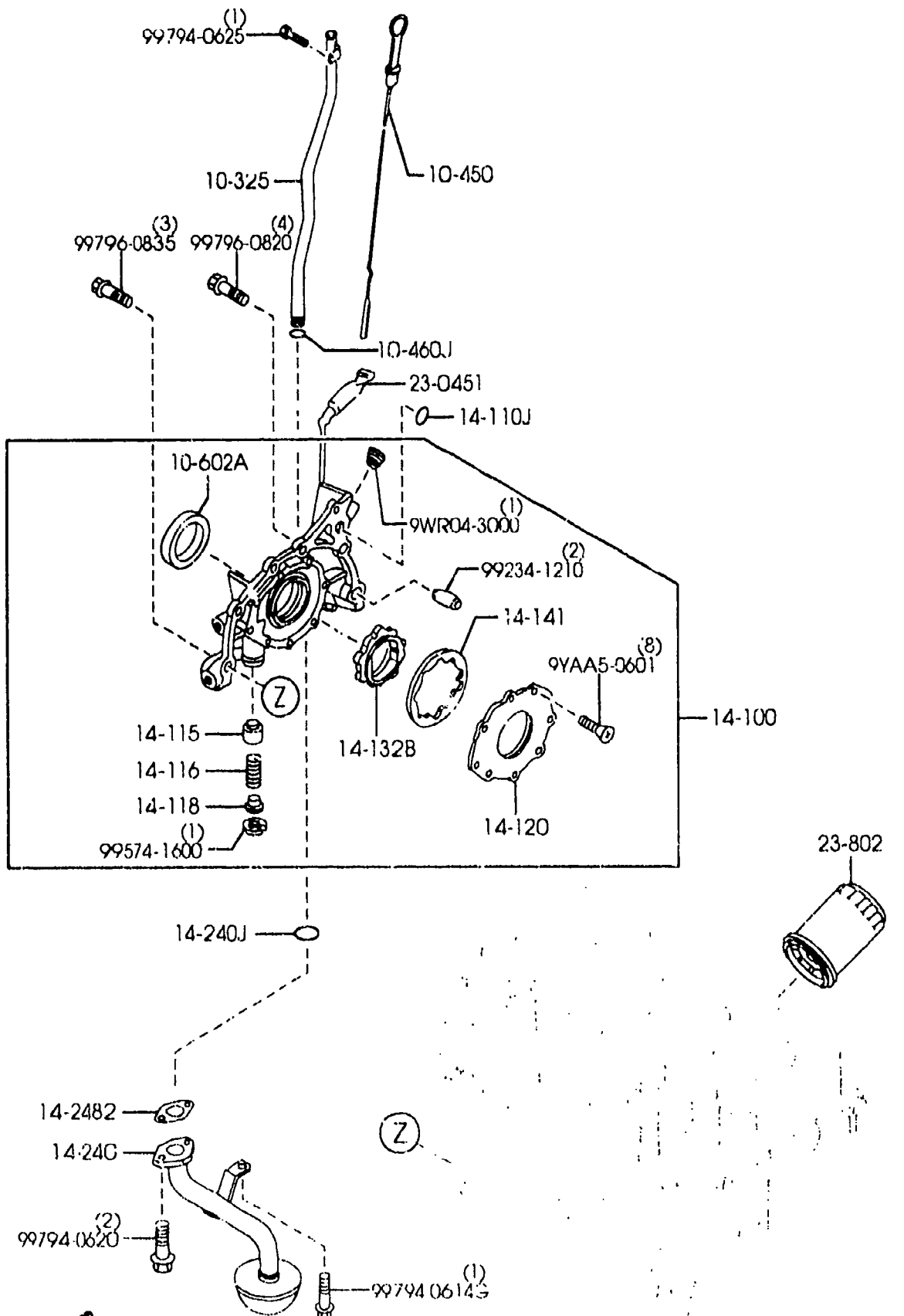
(2B49253)

CAT. AUBA09-02

2001-07

1400AB OIL PUMP & FILTER
(2000CC)

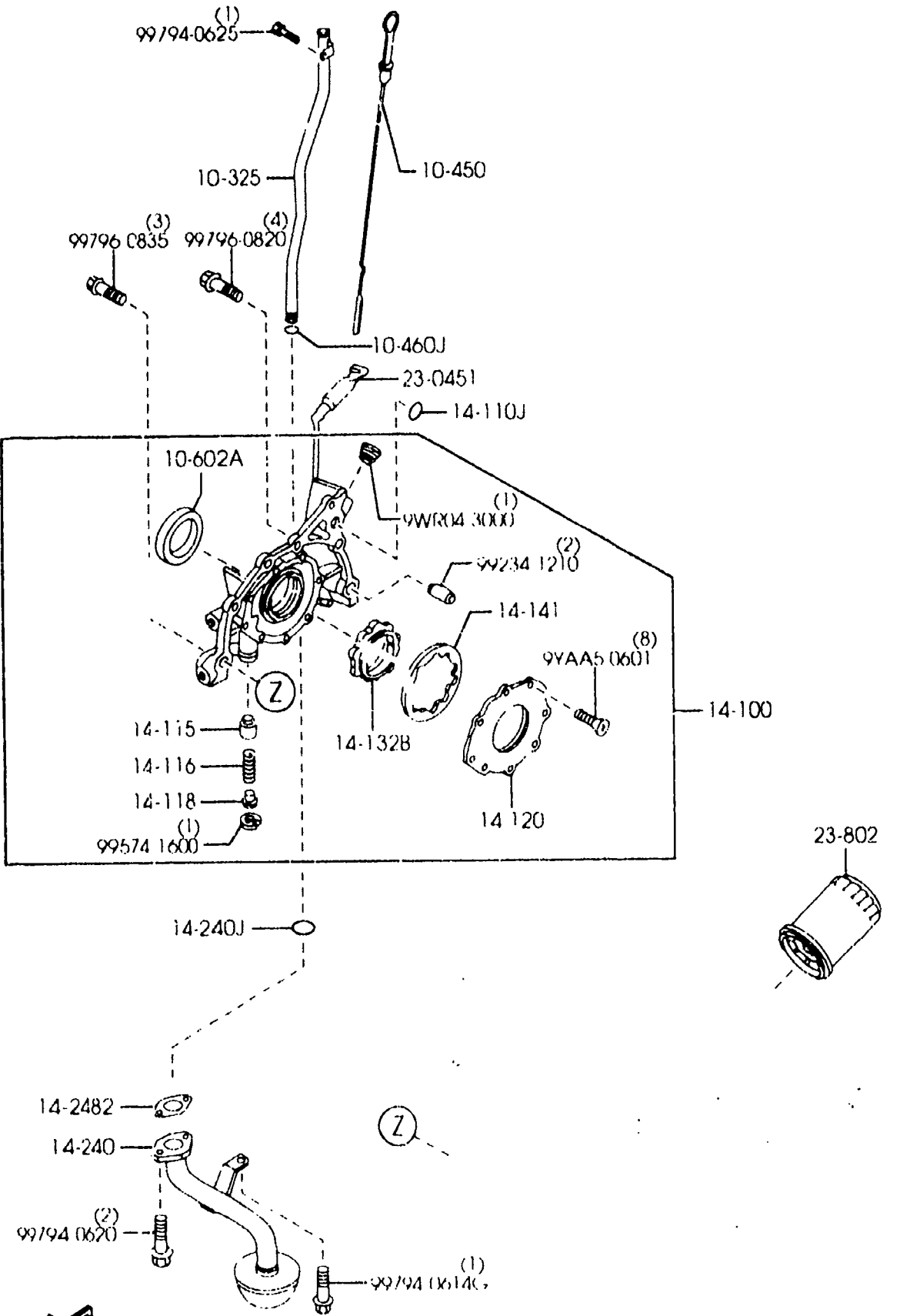
1400AB-1 OIL PUMP & FILTER
(2000CC)



PART NO.	QTY	MODEL/RESTRICTION	MODEL/RESTRICTION	MODEL/RESTRICTION	FROM-TO
10-325		PIPE,OIL LEVEL GAUGE	TUYAU,		
FS01-10-440A	1				
10-450		GAUGE,OIL LEVEL	JAUGE, NIVEAU D'HUILE		
FS01-10-450A	1				
10-460J		RING,'O'	JOINT 'O'		
99541-00907	1				
10-692A		SEAL,OIL	ARRET D'HUILE		
FS02-10-602	1	NOK (SUPPLIER IN SELECTION)	NOK		
FS06-10-602	1	KEEPER (SUPPLIER IN SELECTION)	KEEPER		
14-100		PUMP,OIL	POMPE A HUILE		
FS01-14-100N	1	HIROSHIMA SEIMITSU	HIROSHIMA SEIMITSU		
14-110J		RING,'O'	JOINT 'O'		
FE1H-14-122A	1				
14-115		PLUNGER,CONTROL	PLONGEUR DE SUPETE		
0221-14-115	1				
14-116		SPRING,PRESSURE	RESSORT, PRESSION		
FE5A-14-116	1				
14-118		SHEET,SPRING	SIEGE DE RESSORT		
0222-14-118	1				
14-120		COVER,OIL PUMP	COUVERCLE POMPE A HUILE		
FS01-14-121	1				
14-132B		GEAR,INNER	PIGNON INT.		
FS01-14-132C	1				
14-141		GEAR,OUTER	PIGNON EXT.		
FS01-14-141	1				

1400AB OIL PUMP & FILTER
(2000CC)

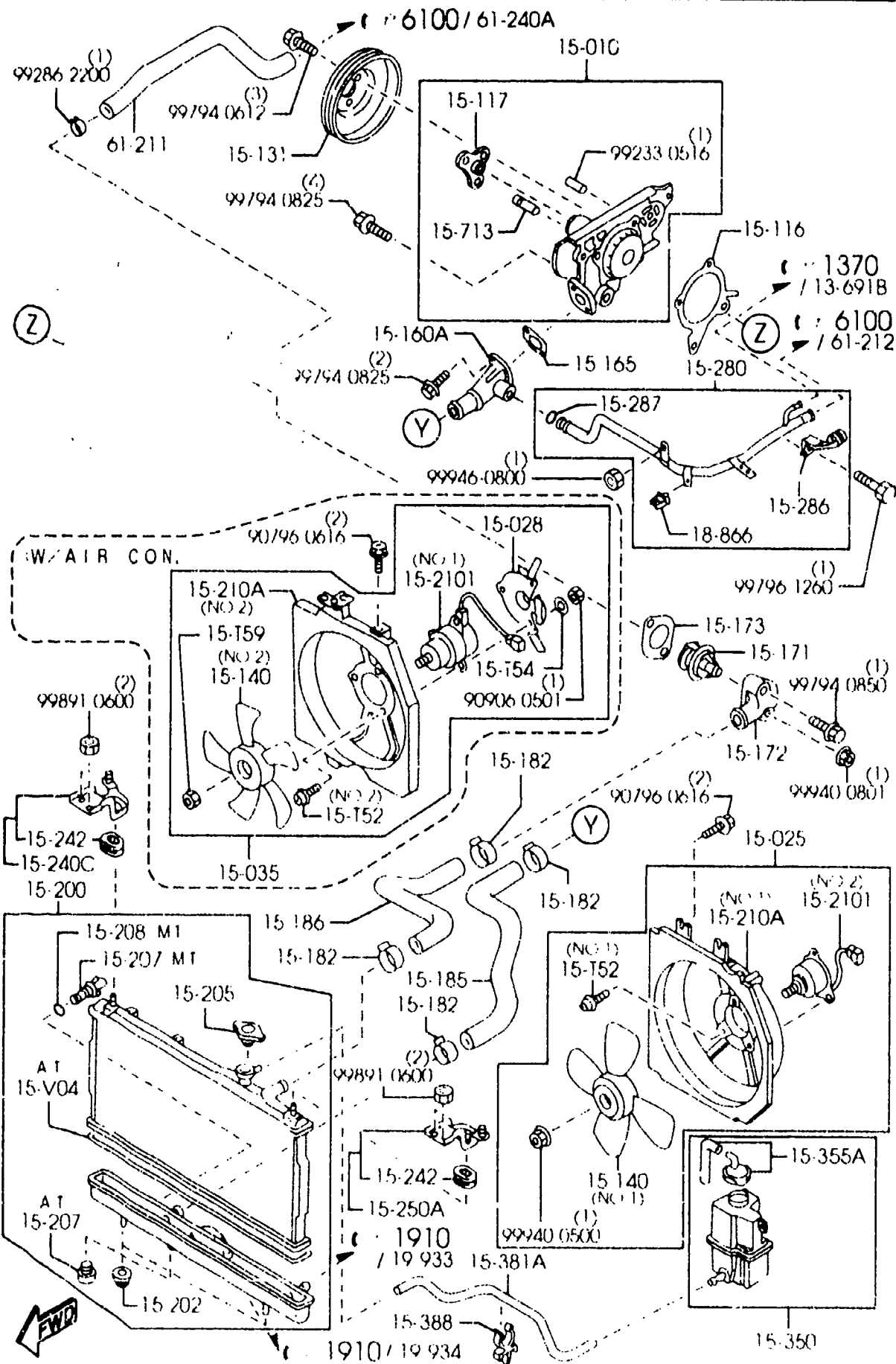
1400AB-2 * OIL PUMP & FILTER
(2000CC)



PART NO	QTY	MODEL/RESTRICTION	MODEL/RESTRICTION	MODEL/RESTRICTION	FROM-TO
14-240		STRAINER, OIL	TAMIS D'HUILE		
FS01-14-240	1				
14-240J		RING, 'O'	JOINT 'O'		
99541-02204	1				
14-2482		GASKET, SUCTION PIPE	JOINT, TUYAU D'ASPIRATION		
FS01-14-248	1				
23-0451		TUBE, SILICON	TUBE DE SILICONE		
8527-77-739	1				
23-802		CARTRIDGE, OIL FILTER	ELEMENT, FILTRE A HUILE		
B6Y1-14-302A	1	(MAZDA MARK T.ROKI) (SUPPLIER IN SELECTION)	(MAZDA MARK T.ROKI?)		
B6Y2-14-302	1	(MAZDA MARK-TENNEX) (SUPPLIER IN SELECTION)	(MAZDA MARK-TENNEX)		

1500AA COOLING SYSTEM
(1600CC)

1500AA-1 COOLING SYSTEM
(1600CC)



PART NO.	QTY	MODEL / RESTRICTION	MODEL / RESTRICTION	MODEL / RESTRICTION	FROM-TO
15-T52	3	SCREW, MOTOR-ELECTRIC FAN (ILLUST. NO.1)	SCREW, ELECT. VENT. MOTEUR		
FE68-15-T52	3	(ILLUST. NO.1)			
Z505-15-T52	3	(ILLUST. NO.2) (W/AIR CON.)			
15-T54	1	WASHER, MOUNT-MOTOR (W/AIR CON.)	RONDELLE, MONTAGE-MOTEUR		
Z505-15-T54	1				
15-T59	1	NUT, COOLING FAN (W/AIR CON.)	ECROU, VENT. DE REFROID		
B595-15-T59	1				
15-V04	1	RING, 'O'-DRAIN COCK RADI. (AT)	BAGUE D'ECHAN., "O"MPURGEUR (B.V.AUTOM)		
B680-15-V04	1				
15-010	1	PUMP, WATER	POMPE A EAU		
ZL01-15-010	1	KUBOTA TEKKOH	KUBOTA TEKKOH		-1423
AN(ZL01-15-010A)	1				
*ZL01-15-010A	1	KUBOTA TEKKOH	KUBOTA TEKKOH		1423-
15-025	1	FAN, ELECTRIC (MT)	VENTILATEUR ELECTRIQUE (B.V.MANU)		
ZL01-15-025B	1				
ZL04-15-025C	1	(AT)	(B.V.AUTOM)		
15-028	1	COVER, FAN (W/AIR CON.)	COUV., VENTILATEUR		
FP55-15-028B	1				
15-035	1	FAN, ADDITIONAL (W/AIR CON.)	VENTILATEUR ADDITIONNEL		
FS2V-15-035D	1				
15-116	1	GASKET, WATER PUMP	JOINT, POMPE A EAU		
B6BF-15-116	1				
15-117	1	BOSS, W.PUMP PULLEY	FLASQUE POMPE A EAU		
E301-15-117	1				
15-131	1	PULLEY, WATER PUMP	POULIE		
B3C7-15-131	1				
15-140	1	FAN, COOLING (ILLUST. NO.1) (MT)	VENTILATEUR, REFROIDISSEMENT (B.V.MANU)		
E358-15-140	1				

1423 BJ22* -464260

AUBA09

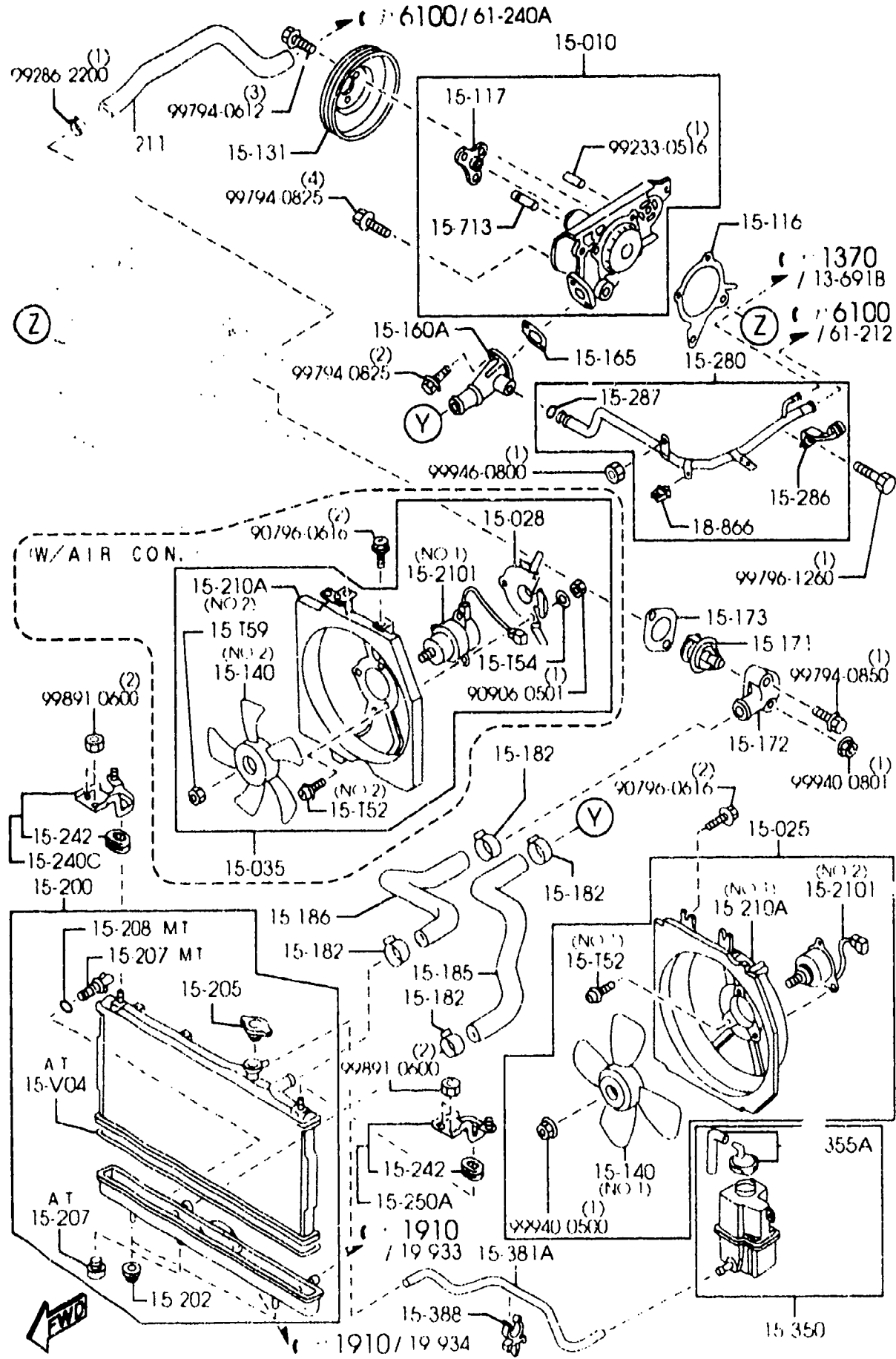
(2B66750)

CAT. AUBA09-02

2001-07

1500AA COOLING SYSTEM
(1600CC)

1500AA-2 COOLING SYSTEM
(1600CC)



PART NO.	QTY	MODEL/RESTRICTION	MODEL/RESTRICTION	MODEL/RESTRICTION	FROM-TO
CONT'D					
RF15-15-140	1	CALSONIC (ILLUST. NO.2) (W/AIR CON.)	CALSONIC		
ZL04-15-140	1	(ILLUST. NO.1) (AT)	(B.V.AUTOM)		
15-160A		INLET, WATER PUMP	ENTREE, POMPE A EAU		
B6BF-15-161	1				
15-165		GASKET, W. PUMP INLET	JOINT,		
B621-15-165	1	NON ASBESTOS	NON ASBESTOS		
15-171		THERMOSTAT	THERMOSTAT		
BP6F-15-171	1				
15-172		COVER, THERMOSTAT	COUVERCLE THERMOSTAT		
B6BF-15-172	1				
15-173		GASKET, THERMOSTAT COVER	JOINT		
B621-15-173	1	NON ASBESTOS	NON ASBESTOS		
15-182		CLAMP, WATER HOSE	COLLIER, FLEX.-FLEX. EAU.		
B3C7-15-182A	4				
15-185		HOSE, WATER	DURITE D'EAU		
ZL01-15-185A	1				
15-186		HOSE, WATER	DURITE D'EAU		
ZL01-15-186A	1				
15-200		RADIATOR	RADIATEUR		
B35S-15-200	1	(W/O AIR CON.) (MT)	(B.V.MANU)		
ZL33-15-200	1	(W/AIR CON.) (MT)	(B.V.MANU)		
FS7P-15-200A A (FS7P-15-200B)	1	(W/O AIR CON.) (AT)	(B.V.AUTOM)		-1301
FS8M-15-200 A (FS8M-15-200A)	1	(W/AIR CON.) (AT)	(B.V.AUTOM)		-1301
FS7P-15-200B	1	(W/O AIR CON.) (AT)	(B.V.AUTOM)		1301-
FS8M-15-200A	1	(W/AIR CON.)			1301-
1301 BJ22* -440775					

AUBA09

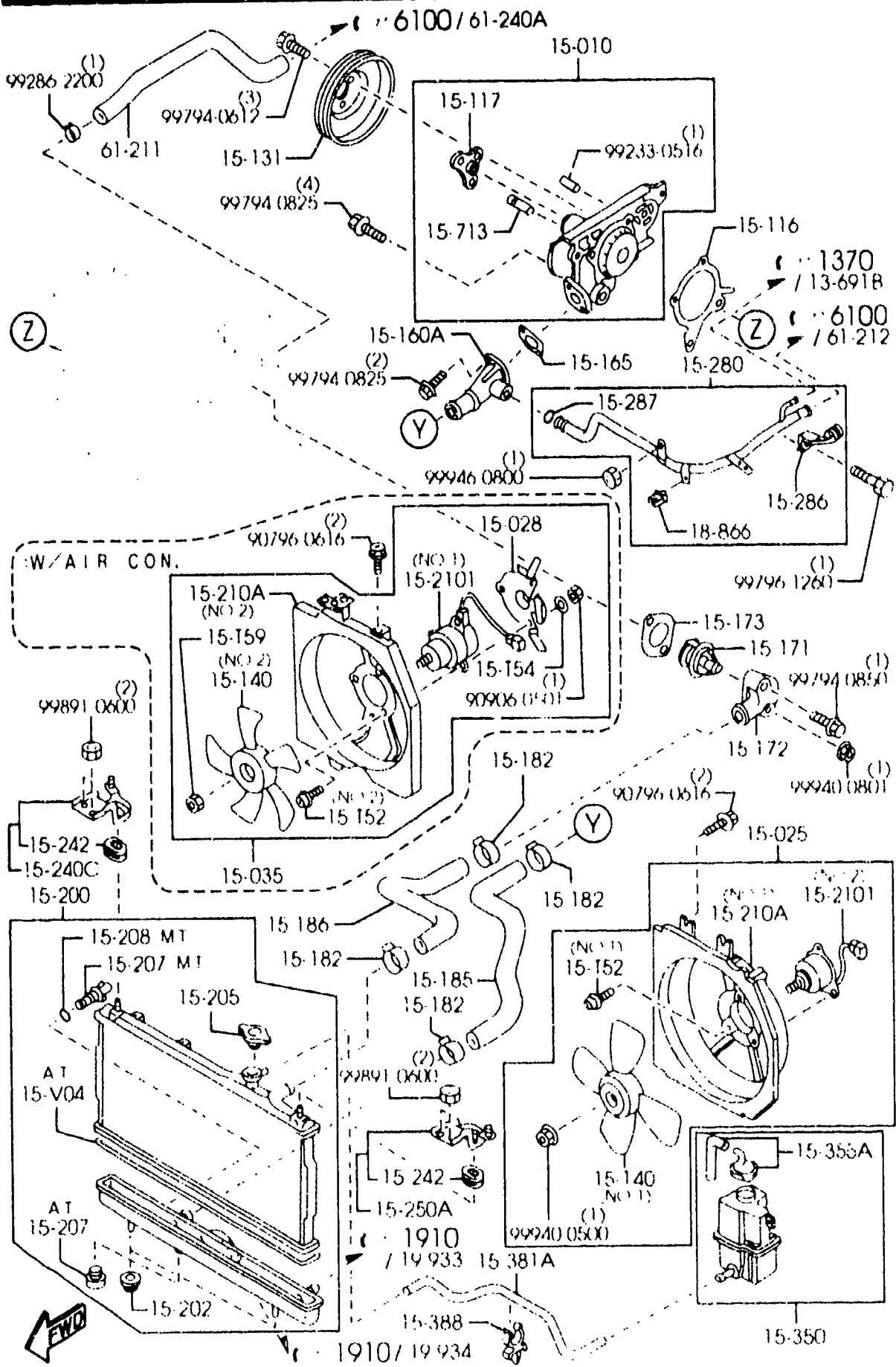
(2B66750)

CAT. AUBA09-02

2001-07

1500AA COOLING SYSTEM
(1600CC)

1500AA-4 * COOLING SYSTEM
(1600CC)



PART NO.	QTY	MODEL/RESTRICTION	MODEL/RESTRICTION	MODEL/RESTRICTION	FROM-10
CONT'D B6BF-15-242A	2				
15-250A		BRACKET(L),RADIATOR	SUPPORT(G),RADIATEUR		
ZL01-15-250	1				
15-280		PIPE,BY-PASS	TUYAU DE DERIVATION		
ZL01-15-280A	1				
15-286		CLIP,BYPASS PIPE	ATTACHE		
B69F-15-286	1				
15-287		RING,'O'-WATER BYPASS	JOINT TORIQUE		
E301-15-287	1				
15-350		TANK,SUB-RADIATOR	VASE D'EXPANSION		
B6BF-15-350B	1	ASMO	ASMO		
15-355A		CAP,SUB TANK	BOUCHON RESERVOIR AUXIL.		
B6BF-15-355A	1	ASMO	ASMO		
15-331A		HOSE,SUB TANK	TUYAU,VASE D'EXPANSION		
ZL01-15-381	1				
15-388		CLIP,HOSE-SUB T.& WATER H	COLL.,TUYAU-T.RESERVAUX.		
B630-15-388	1				
15-713		SET PIN,SPRING	AXE DE FIXATION RESSORT		
F801-15-713	1				
18-866		CLIP	ATTACHE		
FE3N-18-867	1				
61-211		HOSE NO.1,WATER	DURITE D'EAU NO 1		
BJOE-61-211B	1				

AUBA09

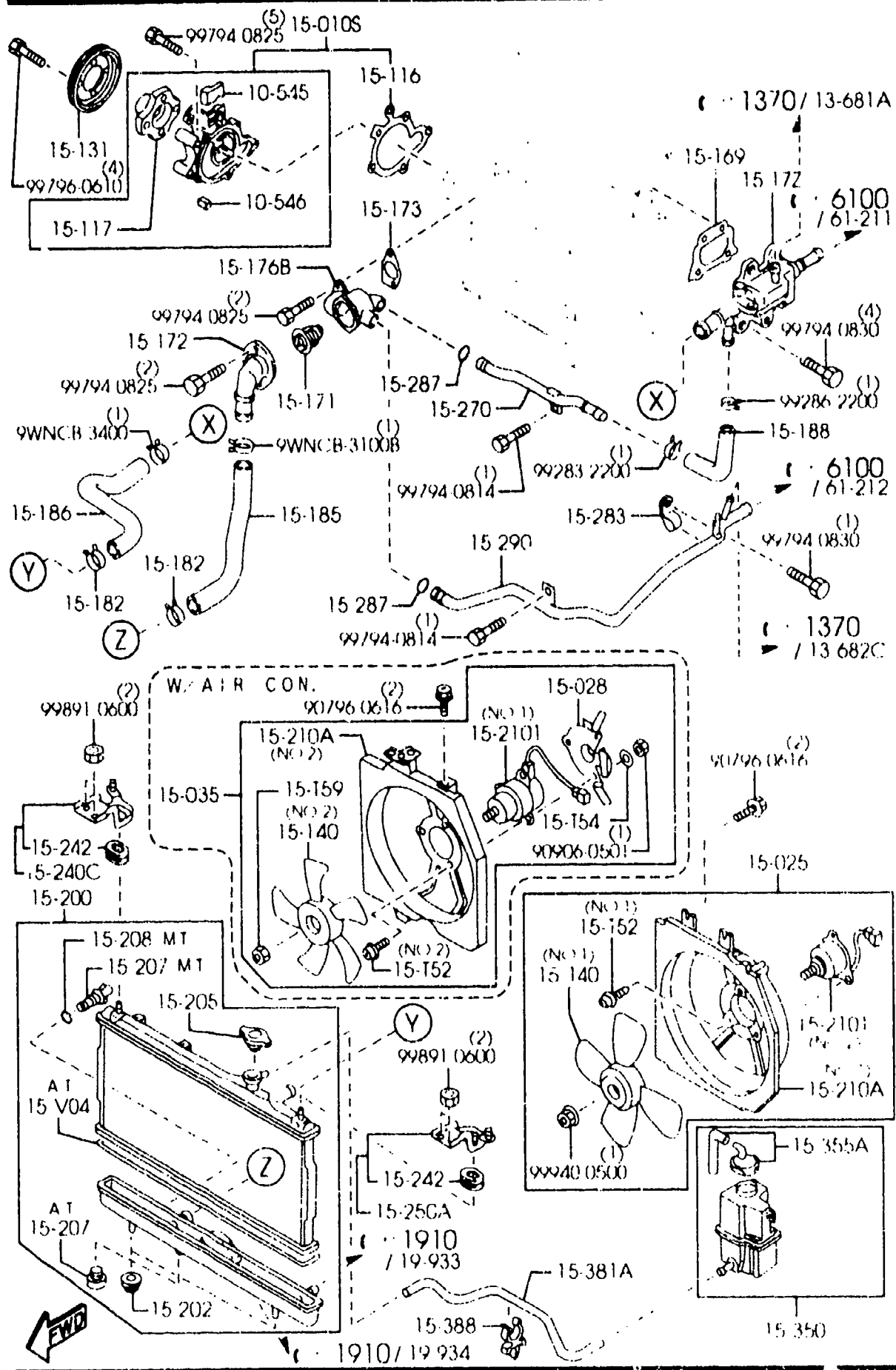
(2B66750)

CAT. AUBA09-02

2001-07

1500AB COOLING SYSTEM
(2000CC)

1500AB-2 COOLING SYSTEM
(2000CC)



PART NO.	QTY	MODEL/RESTRICTION	MODEL/RESTRICTION	MODEL/RESTRICTION	FROM-TO
CONT'D					
FS01-15-131	1				
15-140		FAN, COOLING	VENTILLATEUR, REFROIDISSEMENT		
E358-15-140	1	(ILLUST. NO.1) (MT)	(B.V.MANU)		
RF15-15-140	1	CALSONIC (ILLUST. NO.2) (W/AIR CON.)	CALSONIC		
ZL04-15-140	1	(ILLUST. NO.1) (AT)	(B.V.AUTOM)		
15-169		GASKET, WATER OUTLET	GARNITURE, SORTIE EAU		
FS02-15-169	1				
15-172		OUTLET, WATER	SORTIE, EAU		
FP47-15-172A	1				
15-171		THERMOSTAT	THERMOSTAT		
KL01-15-171A	1				
15-172		COVER, THERMOSTAT	COUVERCLE THERMOSTAT		
FP47-15-172	1				
15-173		GASKET, THERMOSTAT COVER	JOINT		
FS02-15-173	1				
15-176B		CASE, THERMOSTAT	BOITE, THERMOSTAT		
FS05-15-176A	1				
15-182		CLAMP, WATER HOSE	COLLIER, FLEX.-FLEX. EAU.		
B3C7-15-182A	2				
15-185		HOSE, WATER	DURITE D'EAU		
FP47-15-185C	1				
15-186		HOSE, WATER	DURITE D'EAU		
FP47-15-186C	1				
15-188		HOSE, WATER BY-PASS	DURITE		
FS01-15-288A	1				
15-200		RADIATOR	RADIATEUR		

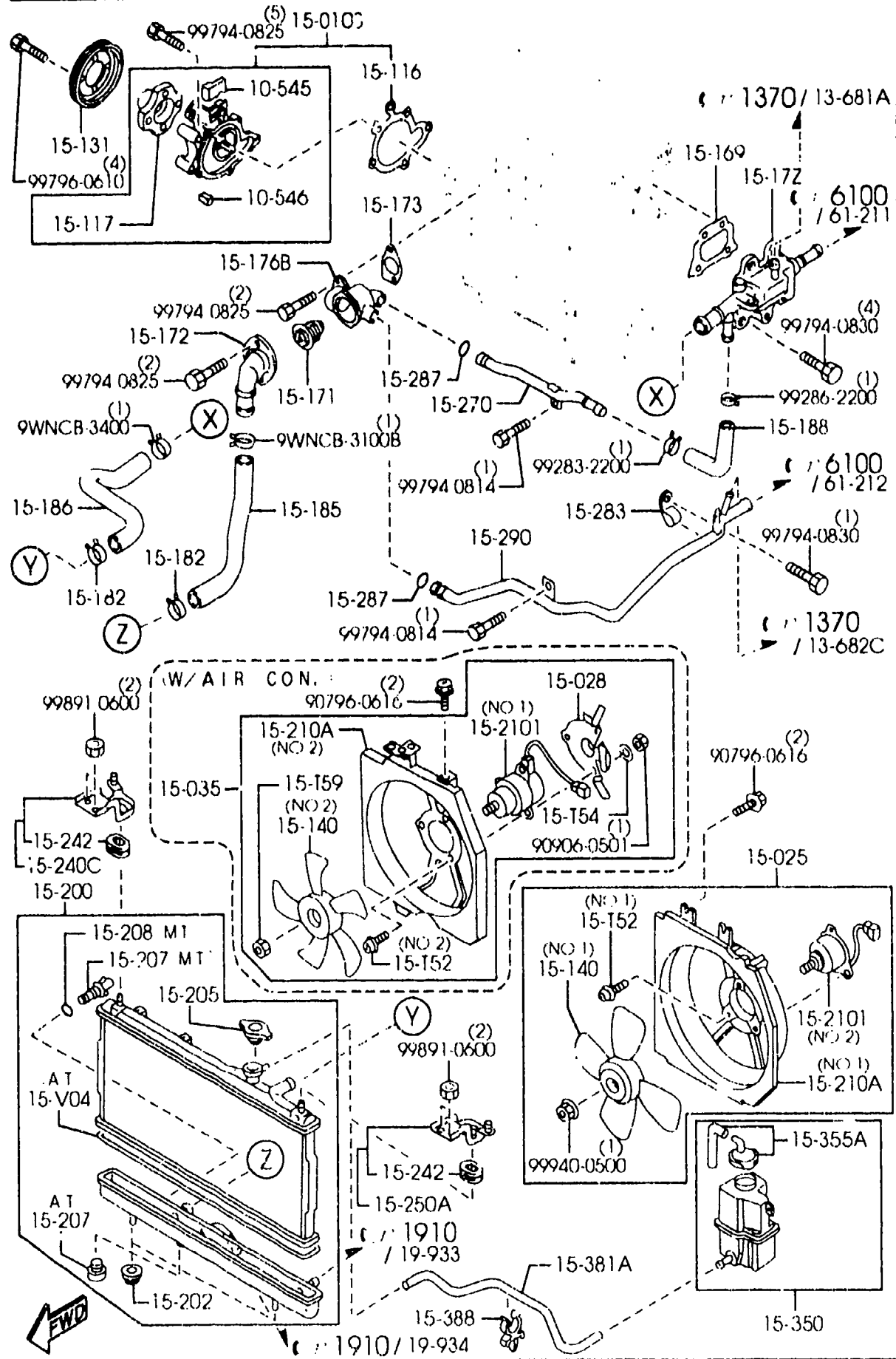
AUBA09

(2B66760)

CAT. AUBA09-02

2001-07

1500AB COOLING SYSTEM
(2000CC)



1500AB-3 COOLING SYSTEM
(2000CC)

PART NO.	QTY	MODIF./RESTRICTION	MODEL/RESTRICTION	MODEL/RESTRICTION	FROM-TO
CONT'D					
ZM39-15-200	1	(W/AIR CON.) (MT)		(B.V.MANU)	
ZM43-15-200	1	(W/O AIR CON.) (MT)		(B.V.MANU)	
FS7P-15-200A A (FS7P-15-200B)	1	(W/O AIR CON.) (AT)		(B.V.AUTOM)	-1301
FS8M-15-200 A (FS8M-15-200A)	1	(W/AIR CON.) (AT)		(B.V.AUTOM)	-1301
FS7P-15-200B	1	(W/O AIR CON.) (AT)		(B.V.AUTOM)	1301-
FS8M-15-200A	1	(W/AIR CON.) (AT)		(B.V.AUTOM)	1301-
15-202		RUBBER,MOUNT		CAOUTCHOUC,TASSEAU	
B3P5-15-202A	2	DENSO (W/O AIR CON.) (MT)		DENSO (B.V.MANU)	
B5A5-15-202A	2	CALSONIC (W/O AIR CON.) (AT)		CALSONIC (B.V.AUTOM)	
K802-15-202	2	(W/AIR CON.)			
15-203		CAP,RADIATOR		BOUCHON DE RADIATEUR	
KL01-15-205	1	(AT)		(B.V.AUTOM)	
WL21-15-205	1	(MT)		(B.V.MANU)	
15-207		COCK,DRAIN		ROBINET DE PURGE	
NF01-15-203	1	CALSONIC (AT)		CALSONIC (B.V.AUTOM)	
G607-15-316	1	USA DENSO (MT)		USA DENSO (B.V.MANU)	
15-208		GASKET,DRAIN COCK		JOINT, ROBINET PURGE UR	
S210-15-204	1	(MT)		(B.V.MANU)	
15-210A		COWLING,RADIATOR		TOLE DE RADIATEUR	
ZL01-15-210B	1	(ILLUST. NO.1) (MT)		(B.V.MANU)	
ZL04-15-210B	1	(ILLUST. NO.1) (AT)		(B.V.AUTOM)	
ZM05-15-210A	1	(ILLUST. NO.2) (W/AIR CON.)			
15-2101		FAN DRIVE		MECANISME DE VENTIL ATEUR	
RF15-15-250	1	(ILLUST. NO.1)			

1301 BJ22* -440775

AUBA09

(2B66760)

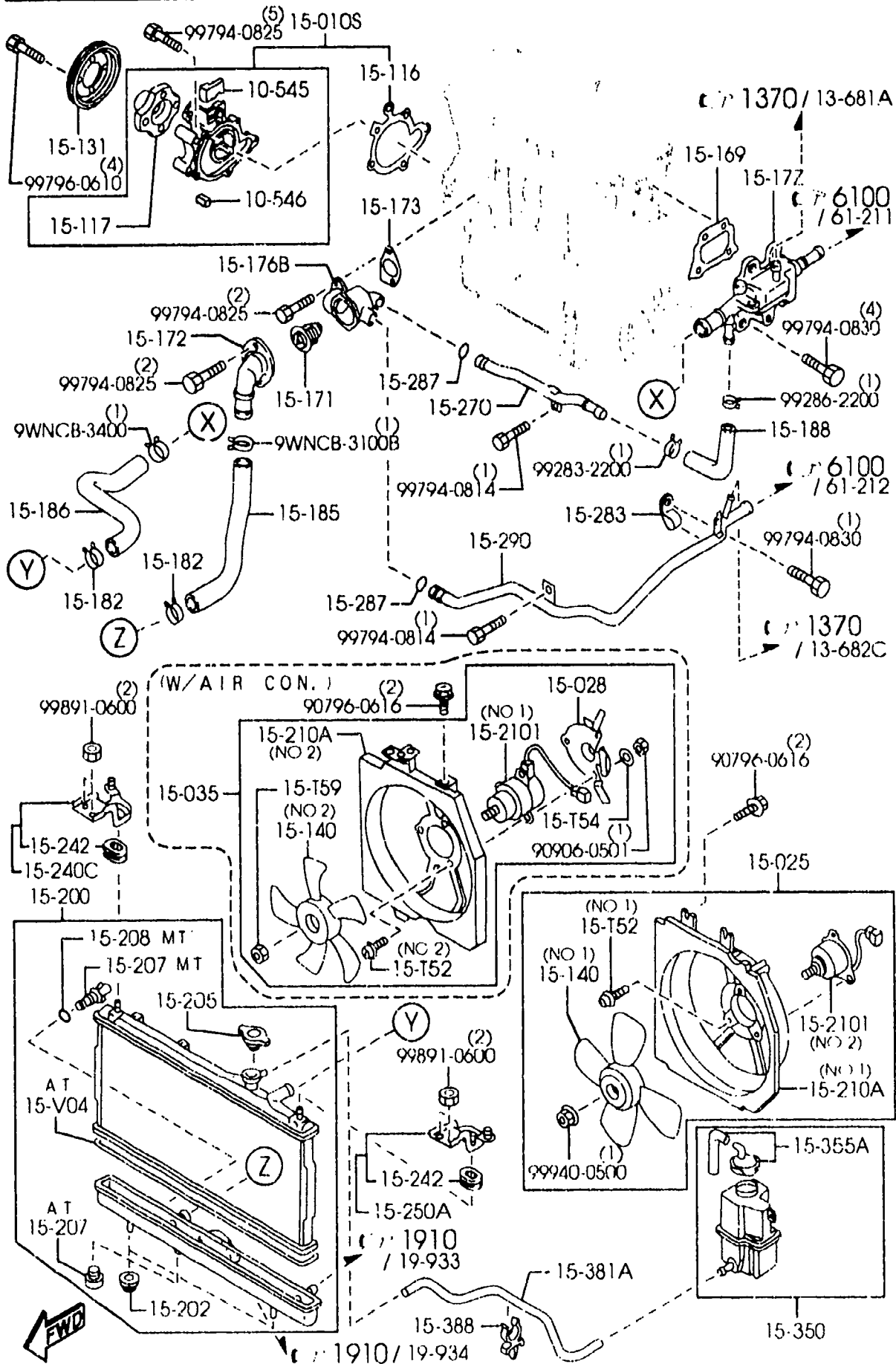
CAT. AUBA09-02

2001-07

1-7

1500AB COOLING SYSTEM
(2000CC)

1500AB-4 * COOLING SYSTEM
(2000CC)



PART NO.	QTY	MODEL/RESTRICTION	MODEL/RESTRICTION	MODEL/RESTRICTION	FROM-TO
CONT'D					
ZL01-15-150	1	(W/AIR CON.) (ILLUST. NO.2) (MT)	(B.V.MANU)		
ZL04-15-150	1	(ILLUST. NO.2) (AT)	(B.V.AUTOM)		
ZL01-15-240A	1	BRACKET(R), RADIATOR	SUPPORT(D), RADIATEUR		
B6BF-15-242A	2	RUBBER, MOUNT-RADIATOR	CAOUTCHOUC, MONTAGE-RAD.		
ZL01-15-250	1	BRACKET(L), RADIATOR	SUPPORT(G), RADIATEUR		
FSM3-15-270A	1	PIPE, WATER BY PASS	TUYAU DE DERIVATION D'EAU		
FP01-15-285	1	CLIP	ATTACHE		
E301-15-287	2	RING, 'O'-WATER BYPASS	JOINT TORIQUE		
FSM4-15-290B	1	PIPE, BYPASS	TUYAU DE DERIVATION		
B6BF-15-350B	1	TANK, SUB-RADIATOR ASMO	VASE D'EXPANSION ASMO		
B6BF-15-355A	1	CAP, SUB TANK ASMO	BOUCHON RESERVOIR AUXIL. ASMO		
ZL01-15-381	1	HOSE, SUB TANK	TUYAU, VASE D'EXPANSION		
B630-15-388	1	CLIP, HOSE-SUB T. & WATER H	COLL., TUYAU-T.RESERV.AUX.		

AUBA09

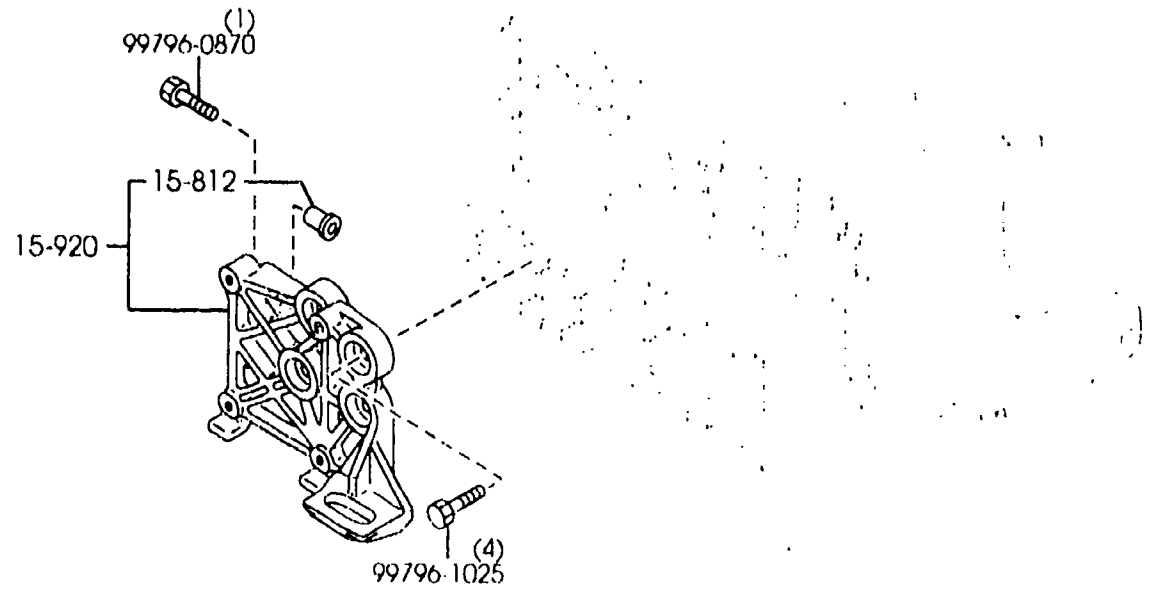
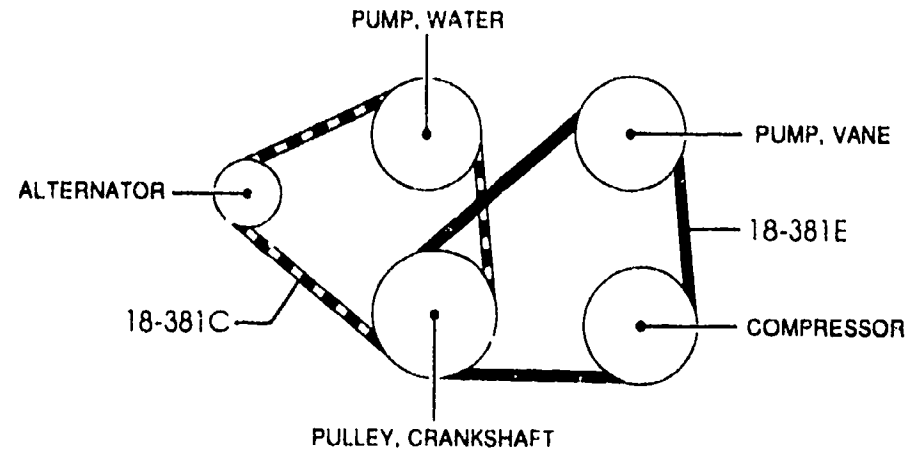
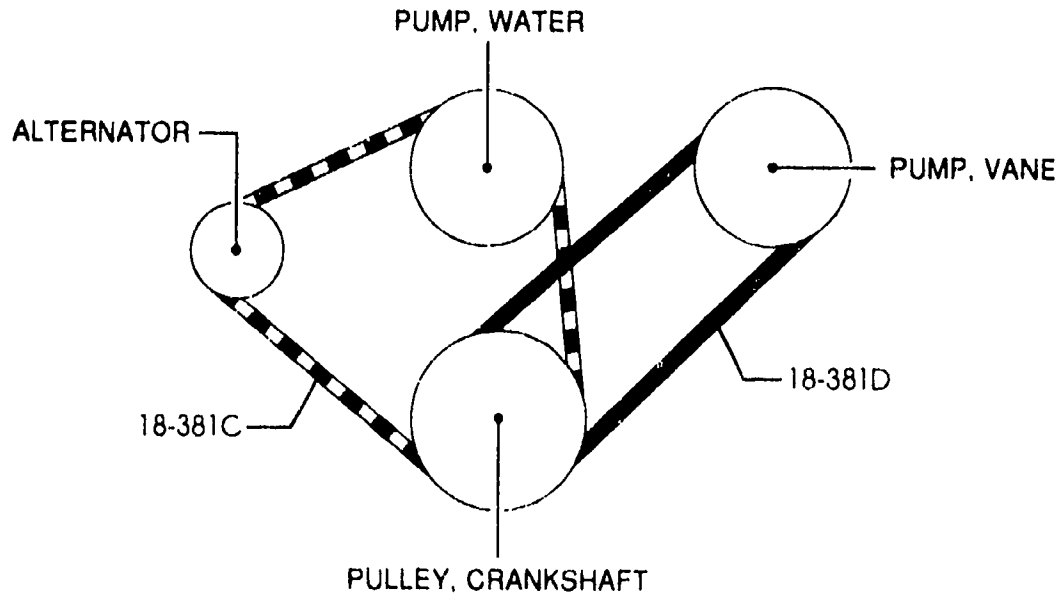
(2B66760)

CAT. AUBA09-02

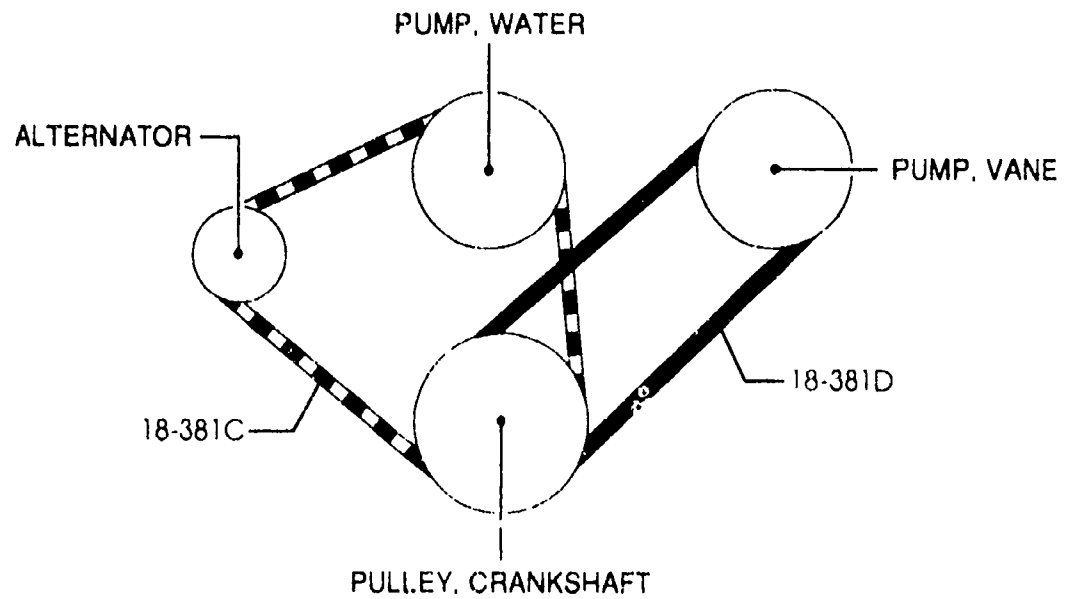
2001-07

(W/O AIR CON.)

(W/AIR CON.)

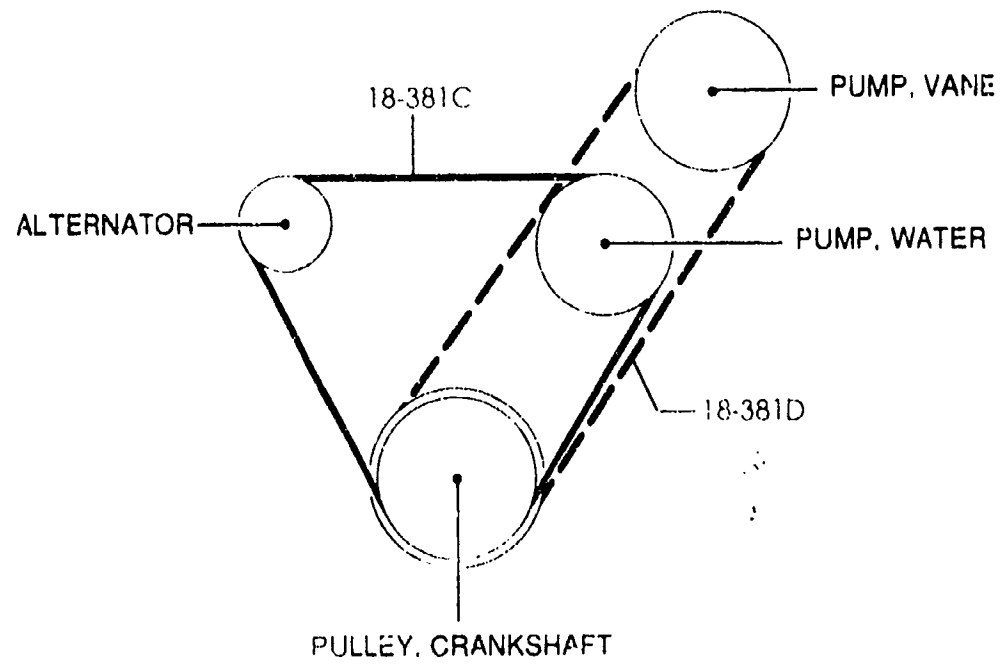


(W/O AIR CON.)

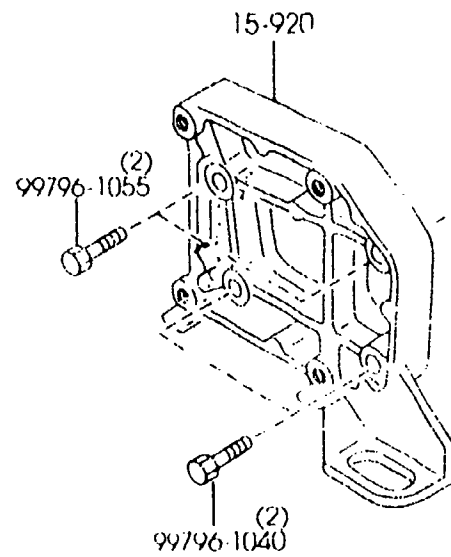
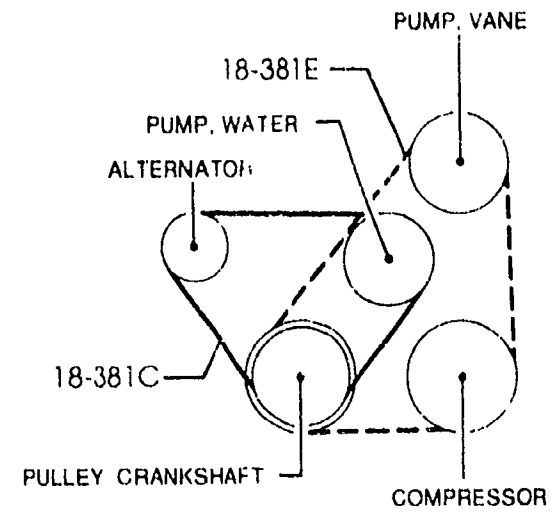


PART NO	QTY	MODEL/RESTRICTION	MODEL/RESTRICTION	MODEL/RESTRICTION	FROM-TO
15-812 B685-15-812	1	BUSH, BRACKET (W/AIR CON.)	BUSELURE SUPPORT		
15-920 ZL01-15-810A	1	BRACKET, COMPRESSOR (W/AIR CON.)	ATTACHE, COMPRESSEUR		
18-381C B68F-18-381	1	BELT 'V', W/PUMP & ALTERNATOR 4PK L=885 BANDO	COURR. TRAP., P. EAU & ALT. 4PK L=885 BANDO		
18-381D ZL01-15-907	1	BELT 'V', POWER STEERING 4PK L=890 MITSUBOSHI (W/O AIR CON.)	COURR. TRAPE., S. DIR ECT. 4PK L=890 MITSUBOSHI		
18-381E BPE7-15-909	1	BELT 'V', P/STG. & AIR CON. 4PK L=1005MM G. YEAR (SUPPLIER IN SELECTION) (W/AIR CON.)	COURR. TRAPE., S. DIR/ CLIMA 4PK L=1005MM G. YEAR		
BPH7-15-909	1	4PK L=1005MM BANDO (SUPPLIER IN SELECTION) (W/AIR CON.)	4PK L=1005MM BANDO		

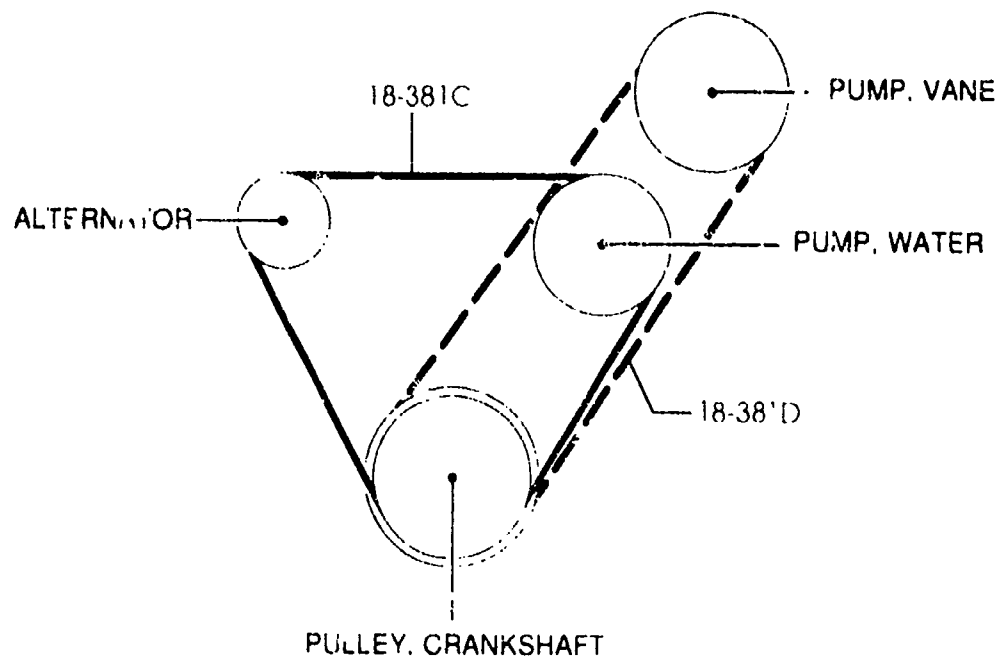
(W/O AIR CON.)



(W/AIR CON.)



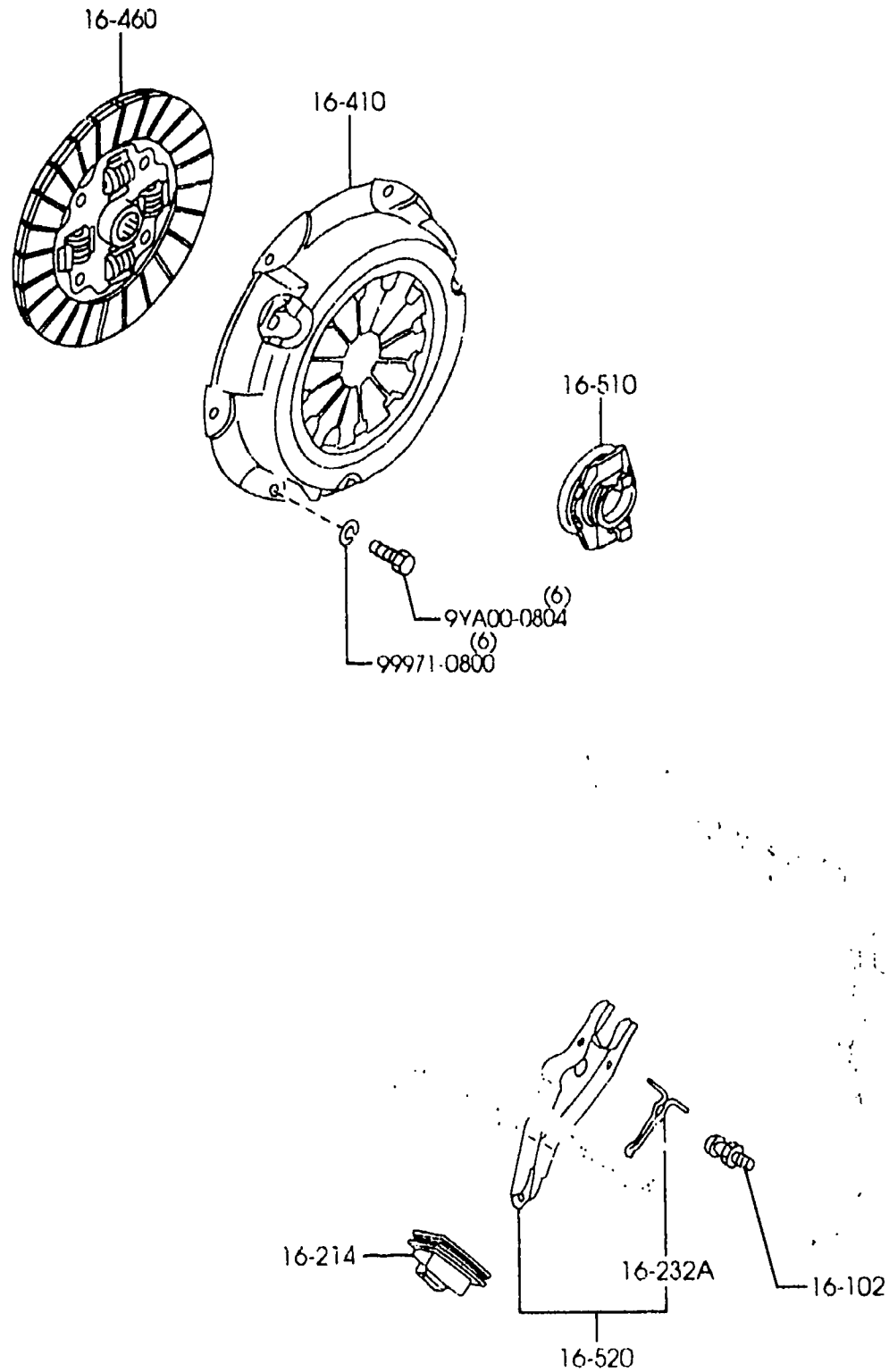
(W/O AIR CON.)



PART NO	QTY	MODEL/RESTRICTION	MODEL/RESTRICTION	MODEL/RESTRICTION	FROM - TO
15-920 FSJ3-15-811A	1	BRACKET, COMPRESSOR (W/AIR CON.)	ATTACHE, COMPRESSEUR		
18-381C FSJ2-18-381	1	BELT 'V', W/PUMP & ALTERNATOR 4PK-920 BANDO (SUPPLIER IN SELECTION)	COURR. TRAP., P. EAU & ALT. 4PK-920 BANDO		
18-381B FS59-18-381B	1	4PK-920 GOOD YEAR (SUPPLIER IN SELECTION)	4PK-920 GOOD YEAR		
18-391D FS05-15-907	1	BELT 'V', POWER STEERING 5PK1030 BANDO (SUPPLIER IN SELECTION) (W/O AIR CON.)	COURR. TRAPE., S. DIRECT. 5PK1030 BANDO		
18-381E FS11-15-907A	1	5PK1030 GOOD YEAR (SUPPLIER IN SELECTION) (W/O AIR CON.)	5PK1030 GOOD YEAR		
18-381E FS05-15-909	1	BELT 'V', P/STG. & AIR CON. 5PK-1165 BANDO (W/AIR CON.)	COURR. TRAPE., S. DIR/CLIMA 5PK-1165 BANDO		

1600AA CLUTCH DISC & COVER
(1600CC)

1600AA-1 * CLUTCH DISC & COVER
(1600CC)



PART NO.	QTY	MODEL/RESTRICTION	MODEL/RESTRICTION	MODEL/RESTRICTION	FROM-TO
16-102 0603-16-102B	1	PIN, PIVOT-CLUTCH REL .FORK	PIVOT D'APPUI		
16-214 F202-16-214	1	COVER, DUST-CLUTCH FO RK	CACHE, POUSSIÈRE		
16-232A B311-16-232	1	SUPPORTER, FORK	SUPPORT, FOURCHETTE		
16-410 B626-16-410	1	COVER, CLUTCH EXEDY	MECANISME D'EMBRAYAG E EXEDY		
16-460 B631-16-460B	1	DISC, CLUTCH	DISQUE D'EMBRAYAGE		
16-510 B315-16-510	1	COLLAR, CLUTCH REL.	BUTÉE		
16-520 B311-16-520A	1	FORK, CLUTCH RELEASE	FOURCHETTE DE DEBRAY AGE		

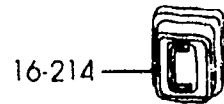
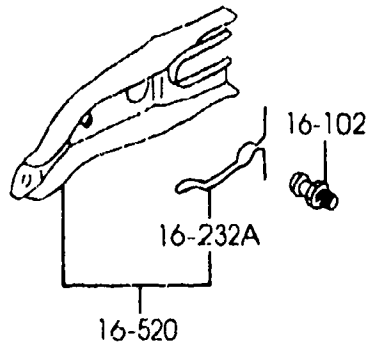
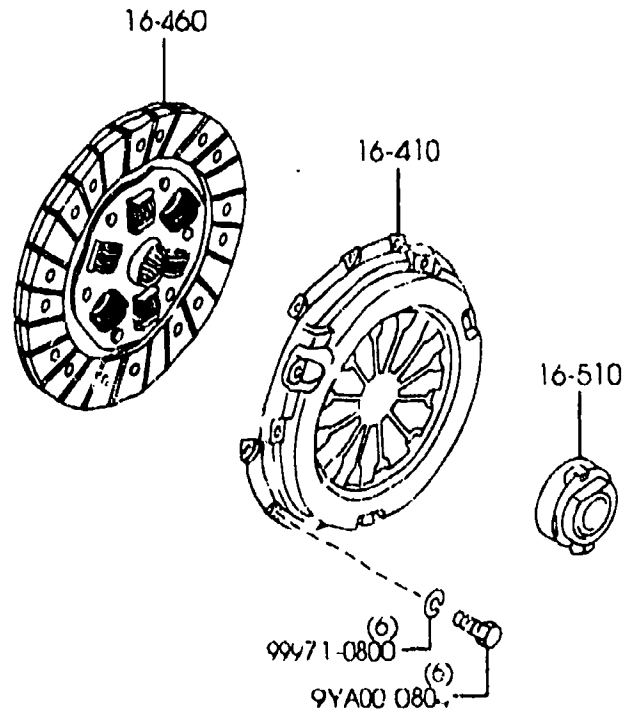
AUBA09

(2B04330)

CAT. AUBA09-02

2001-07

1600AB CLUTCH DISC & COVER
(2000CC)



AUBA09

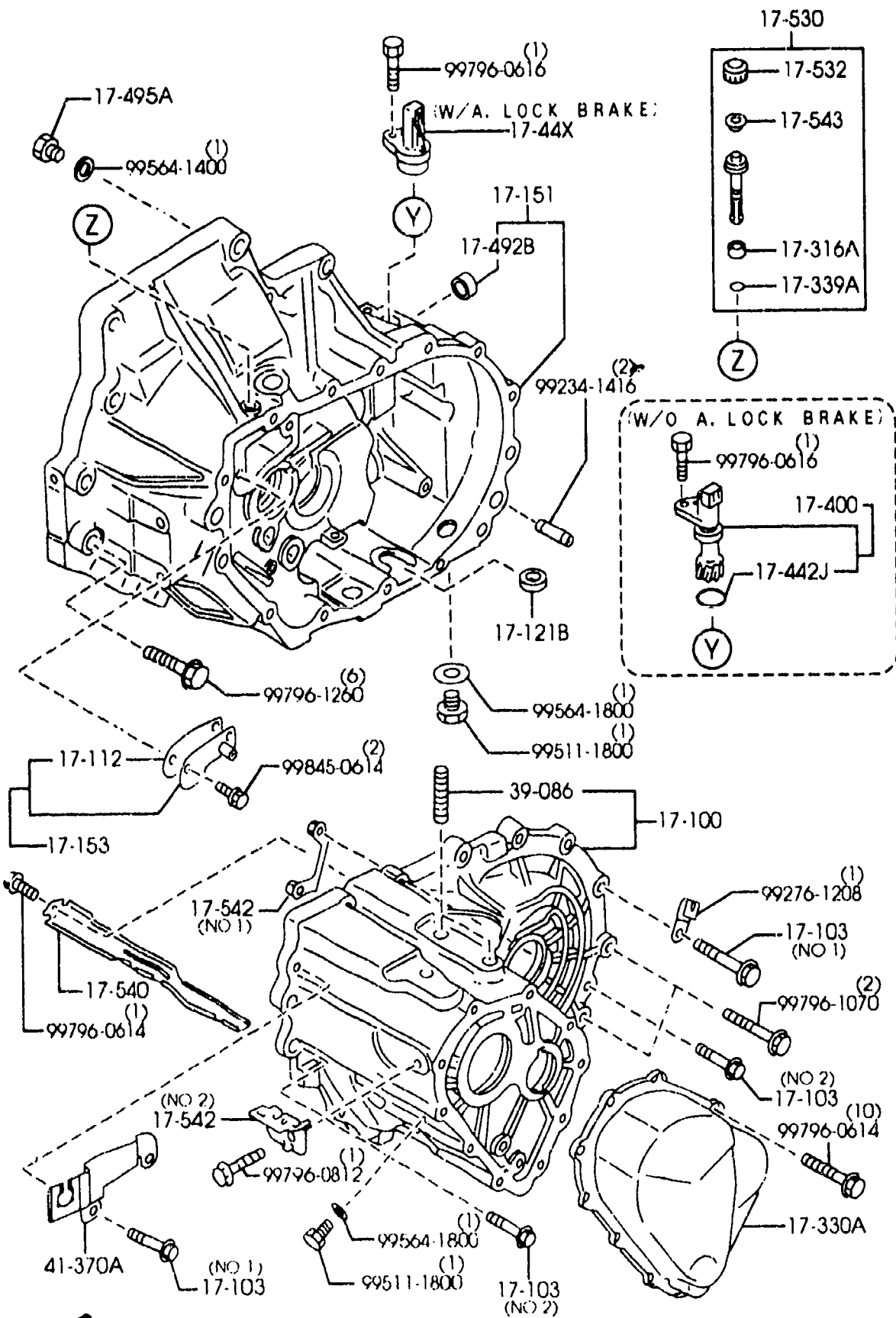
(2B46900)

1600AB-1 * CLUTCH DISC & COVER
(2000CC)

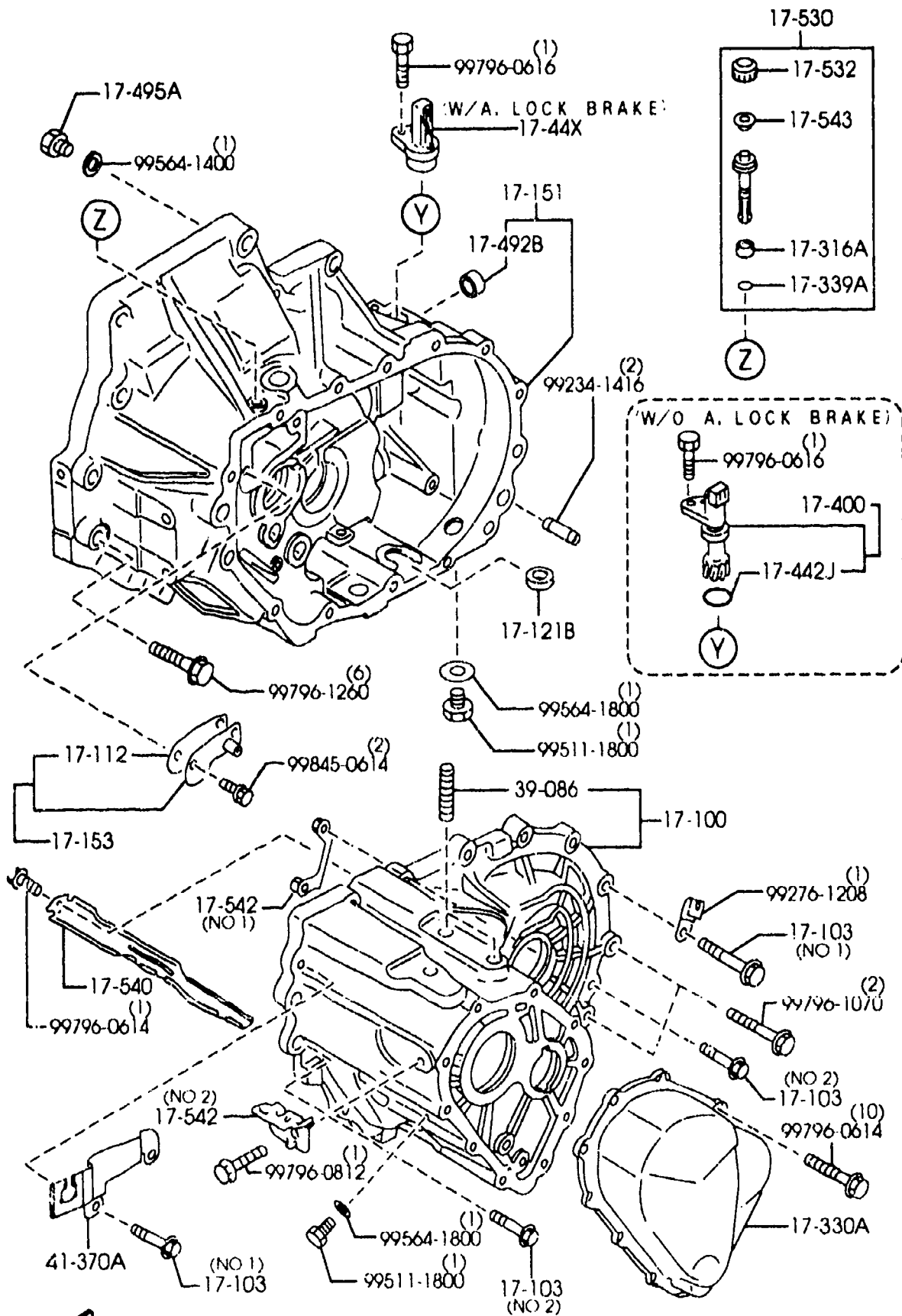
PART NO.	QTY	MODEL/RESTRICTION	MODEL/RESTRICTION	MODEL/RESTRICTION	FIG 2-TO
16-102 FE69-16-102A	1	PIN, PIVOT-CLUTCH REL FORK	PIVOT D'APPUI		
16-214 JF01-16-214	1	COVER, DUST-CLUTCH FO RK	CACHE, POUSSIERE		
16-232A 1416-16-232A	1	SUPPORTER, FORK	SUPPORT, FOURCHETTE		
16-410 FS05-16-410	1	COVER, CLUTCH	MECANISME D'EMBRAYAG E		
16-460 FS06-16-460	1	DISC, CLUTCH	DISQUE D'EMBRAYAGE		
16-510 G560-16-510B	1	COLLAR, CLUTCH REL.	BUTEE		
16-520 G560-16-520	1	FORK, CLUTCH RELEASE	FOURCHETTE DE DEBRAY AGE		

CAT. AUBA09-02

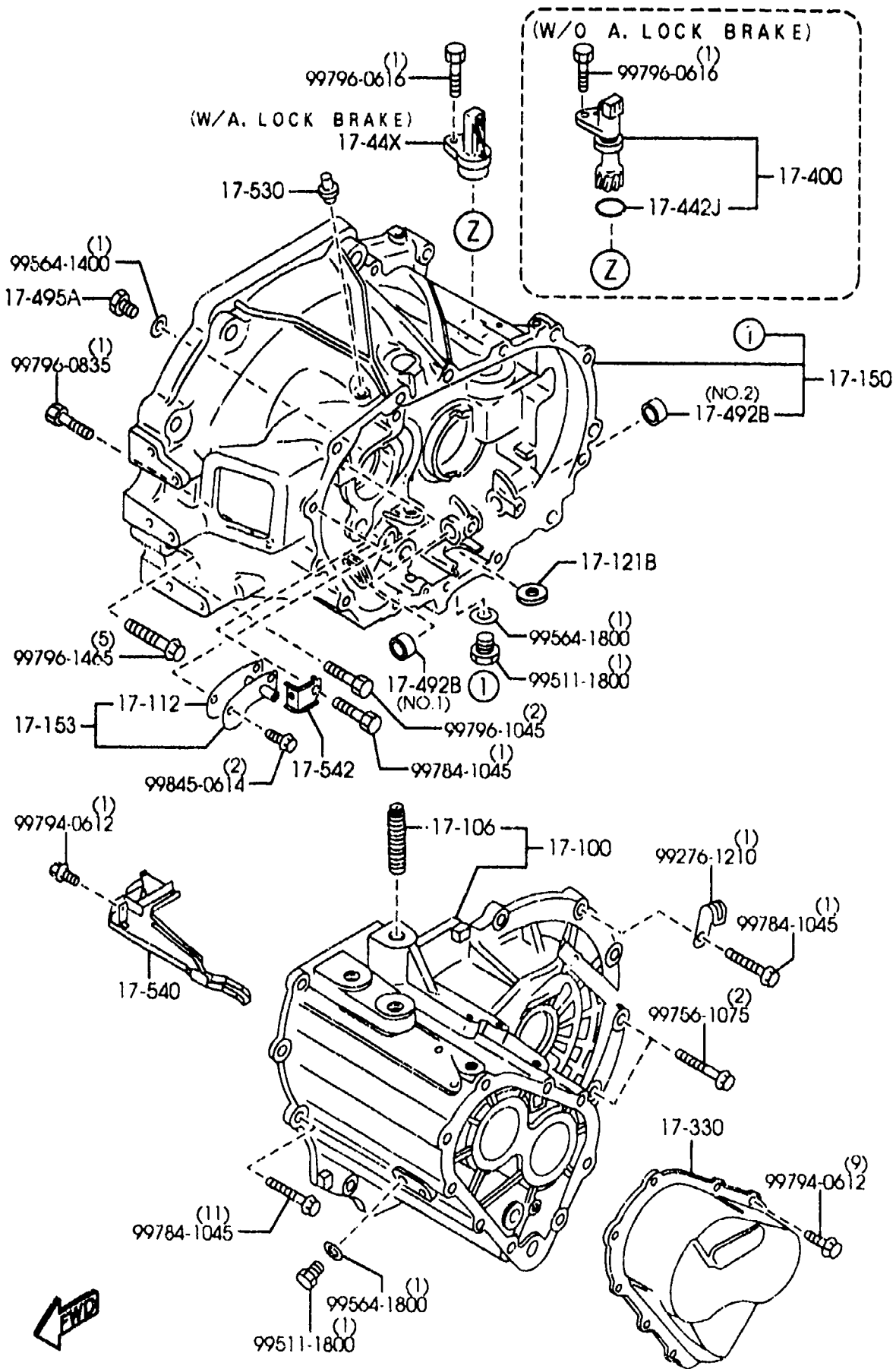
2001-07



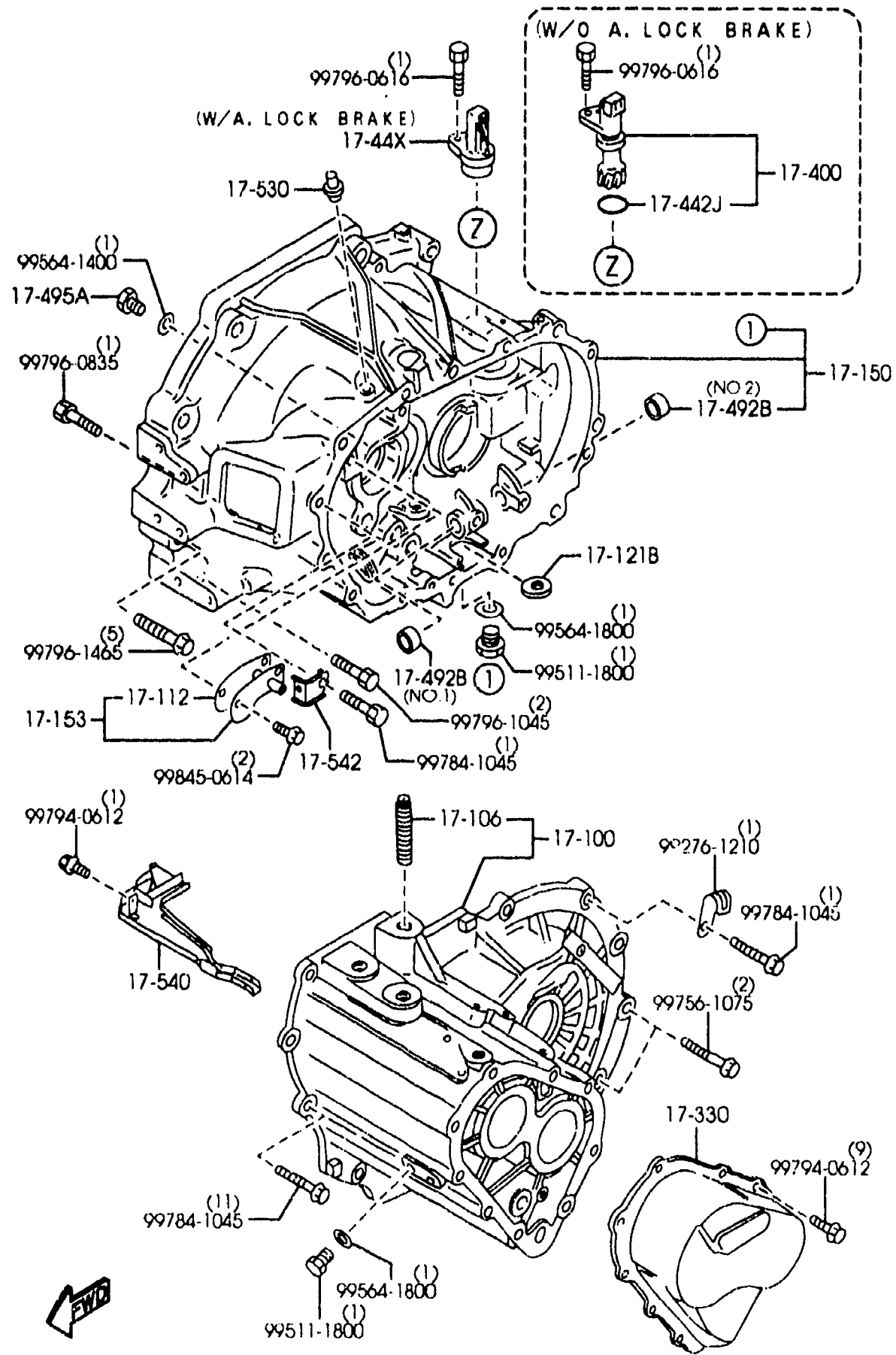
PART NO.	QTY	MODEL/RESTRICTION	MODEL/RESTRICTION	MODEL/RESTRICTION	FROM-TO
17-100	1	CASE, T/MISSION	BOITIER, TRANSMISSIO N		
F5E0-17-100A	1				
17-103	11	BOLT	BOULON		
F520-17-103	11	(ILLUST. NO.1)			
F521-17-103	2	(ILLUST. NO.2)			
17-112	1	GASKET	JOINT		
G501-17-112B	1	NON ASBESTOS	NON ASBESTOS		
17-121B	1	MAGNET	AIMANT		
B501-17-121	1				
17-151	1	HOUSING, CLUTCH	CARTER, EMBRAYAGE		
F5D2-17-150K	1				
17-153	1	PLATE, BAFFLE	DEFLECTEUR		
G501-17-16XB	1	NON ASBESTOS	NON ASBESTOS		
17-316A	1	SPACER	RONDELLE		
F5E0-17-316	1				
17-330A	1	COVER, T/MISSION-REAR	COUVERCLE, ARR. TRAN SM.		
F5D2-17-330B	1				
17-339A	1	RING, 'O'	JOINT 'O'		
F5E0-17-339	1				
17-400	1	GEAR SET, DRIVEN-SPEE D	JEU ENGRENAGE, MENE-V ITESS		
F532-17-400A	1	(W/O A. LOCK BRAKE)	(S/SYST ANTIBLOC)		
17-44X	1	COVER, HOLE	COUVERCLE, TROU		
F501-17-44X	1	(W/A. LOCK BRAKE)	(SYST ANTIBLOC)		
17-442J	1	RING, 'O'	JOINT 'O'		
1011-17-443	1	(W/O A. LOCK BRAKE)	(S/SYST ANTIBLOC)		
17-492B	1	BUSH, SHIFT ROD-DIFF. LOCK	COUSSINET, TIGE CHANG -V.D		
G5A0-17-492	1				



PART NO.	QTY	MODEL/RESTRICTION	MODEL/RESTRICTION	MODEL/RESTRICTION	FROM-TO
17-495A G402-17-495	1	PLUG	BOUCHON		
17-530 F5E0-17-530A	1	BREATHER, AIR-T/MISSION	RESPIRATEUR, AIR ON		
17-532 F5E0-17-532	1	BOOT, DUST-BREATHER	SOUFFLET, RENIFLARD		
17-540 F520-17-541C	1	PASS, OIL	PASSAGE D'HUILE		
17-542 F5D2-17-54X F520-17-542C	1 1	BRACKET, CASE IMPACT PROT N (ILLUST. NO.1)	SUPPORT, BOITE CHOC P ROT.		
17-543 F5E0-17-543	1	RUBBER, SEAL	JOINT CADUTCHOU		
39-086 B596-39-086	3	BOLT, STUD	BOULON		
41-370A B25F-41-370	1	HOLDER	SUPPORT		

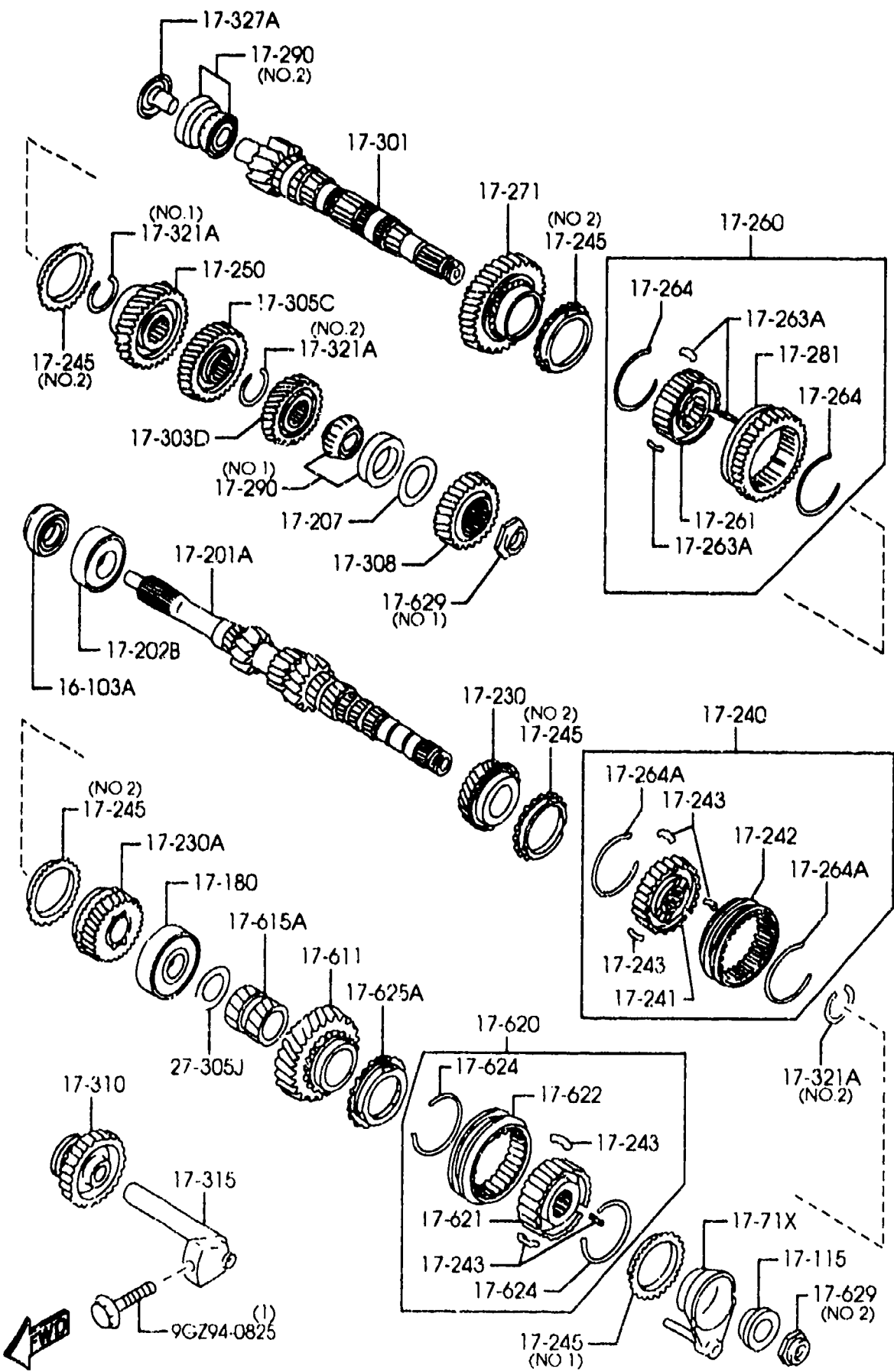


PART NO.	QTY	MODEL/RESTRICTION	MODEL/RESTRICTION	MODEL/RESTRICTION	FROM-TO
17-100		CASE, T/MISSION	BOITIER, TRANSMISSI N		
G560-17-100F	1				
17-106		ROD, SHIFT FORK	TIGE,		
G560-17-106	2				
17-112		GASKET	JOINT		
G501-17-112B	1	NON ASBESTOS	NON ASBESTOS		
17-121B		MAGNET	AIMANT		
F401-17-121	1				
17-150		PLATE, CLUTCH	PLAQUE, EMBRAYAGE		
G560-17-150P	1				
17-153		PLATE, BAFFLE	DEFLECTEUR		
G501-17-16XB	1	NON ASBESTOS	NON ASBESTOS		
17-330		HOUSING, EXTENSION	RALLONGE DE BOITE		
G562-17-330	1				
17-400		GEAR SET, DRIVEN-SPEE D	JEU ENGRENAGE, MENE-V ITESS		
G565-17-400	1	N=22 (W/O A. LOCK BRAKE) >(2-DISC))	N=22 (S/SYST ANTIBLOC)>(2-FR DISQ))		
G577-17-400	1	N=21 (W/O A. LOCK BRAKE) >(4-DISC))	N=21 (S/SYST ANTIBLOC)>(4-FR DISQ))		
17-44X		COVER, HOLE	COUVERCLE, TROU		
G501-17-44XA	1	(W/A. LOCK BRAKE)	(SYST ANTIBLOC)		
17-442J		RING, 'O'	JOINT 'O'		
1011-17-443	1	(W/O A. LOCK BRAKE)	(S/SYST ANIBLOC)		
17-492B		BUSH, SHIFT ROD-DIFF. LOCK	COUSSINET, TIGE CHANG -V.D		
G5A0-17-492	1	(ILLUST. NO.1)			
G5P0-17-492	1	(ILLUST. NO.2)			
17-495A		PIUG	BOUCHON		
G402-17-495	1				



PART NO.	QTY	MODEL/RESTRICTION	MODEL/RESTRICTION	MODEL/RESTRICTION	FROM-TO
17-530 ME01-17-530A	1	BREATHER,AIR-T/MISSI ON	RESPIRATEUR, AIR ON		
17-540 G560-17-540A	1	PASS,OIL	PASSAGE D'HUILE		
17-542 G501-17-542	1	BRACKET,CASE IMPACT PROTN	SUPPORT,BOITE CHOC P ROT.		

1710AA MANUAL TRANSMISSION GEARS
(1600CC)



1710AA-1 MANUAL TRANSMISSION GEARS
(1600CC)

PART NO.	QTY	MODEL/RESTRICTION	MODEL/RESTRICTION	MODEL/RESTRICTION	FROM-TO
16-103A	1	SEAL,OIL	ARRET D'HUILE		
0613-16-103	1				
17-115	1	SLEEVE,CLUTCH HOUSING	MANCHON,CARTER EMBRAYAGE		
F5D2-17-338	1				
17-180	1	BEARING	ROULEMENT		
F520-17-181	1	KOYO OR NSK	KOYO OR NSK		
17-201A	1	GEAR,PRIMARY SHAFT	PIGNON,ARBRE PRIMAIRE		
F521-17-201B	1				
17-202B	1	BEARING,BALL	ROULEMENT A BILLES		
M502-17-297A	1	KOYO	KOYO		-1701
F520-17-171C	1	KOYO	KOYO		1701-
17-207	1	SHIM,ADJUST	CALE DE REGLAGE		
99963-4315	1	T=0.15MM	T=0.15MM		
99963-4320	1	T=0.2MM	T=0.2MM		
99963-4325	1	T=0.25MM	T=0.25MM		
99963-4330	1	T=0.3MM	T=0.3MM		
99963-4335	1	T=0.35MM	T=0.35MM		
99963-4340	1	T=0.4MM	T=0.4MM		
99963-4345	1	T=0.45MM	T=0.45MM		
99963-4350	1	T=0.5MM	T=0.5MM		
99963-4355	1	T=0.55MM	T=0.55MM		
99963-4360	1	T=0.6MM	T=0.6MM		
99963-4365	1	T=0.65MM	T=0.65MM		
99963-4370	1	T=0.7MM	T=0.7MM		
1701 BJ22* -493151					

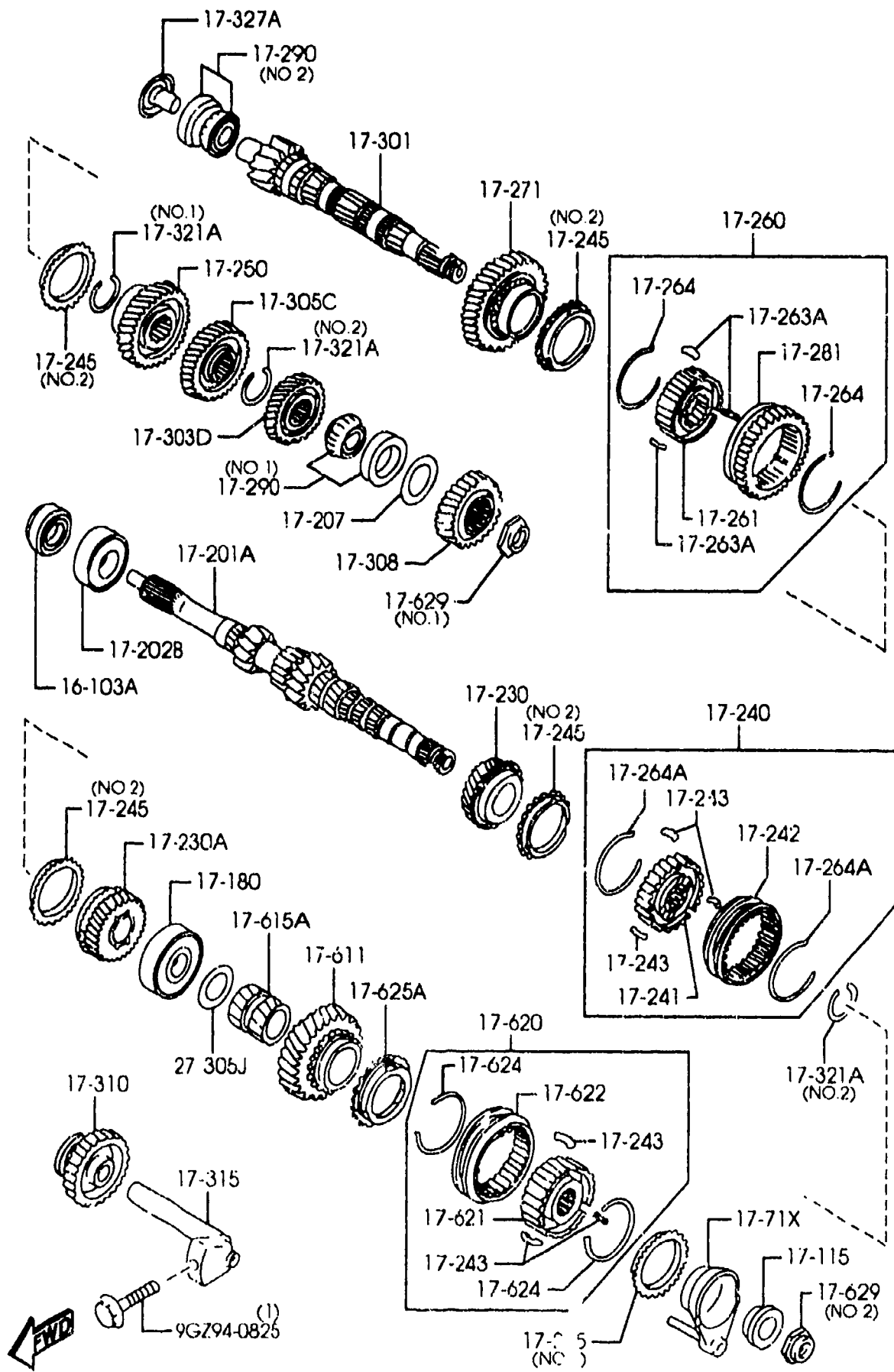
AUBA09

(2B63620)

CAT. AUBA09-02

2001-07

1710AA MANUAL TRANSMISSION GEARS
(1600CC)

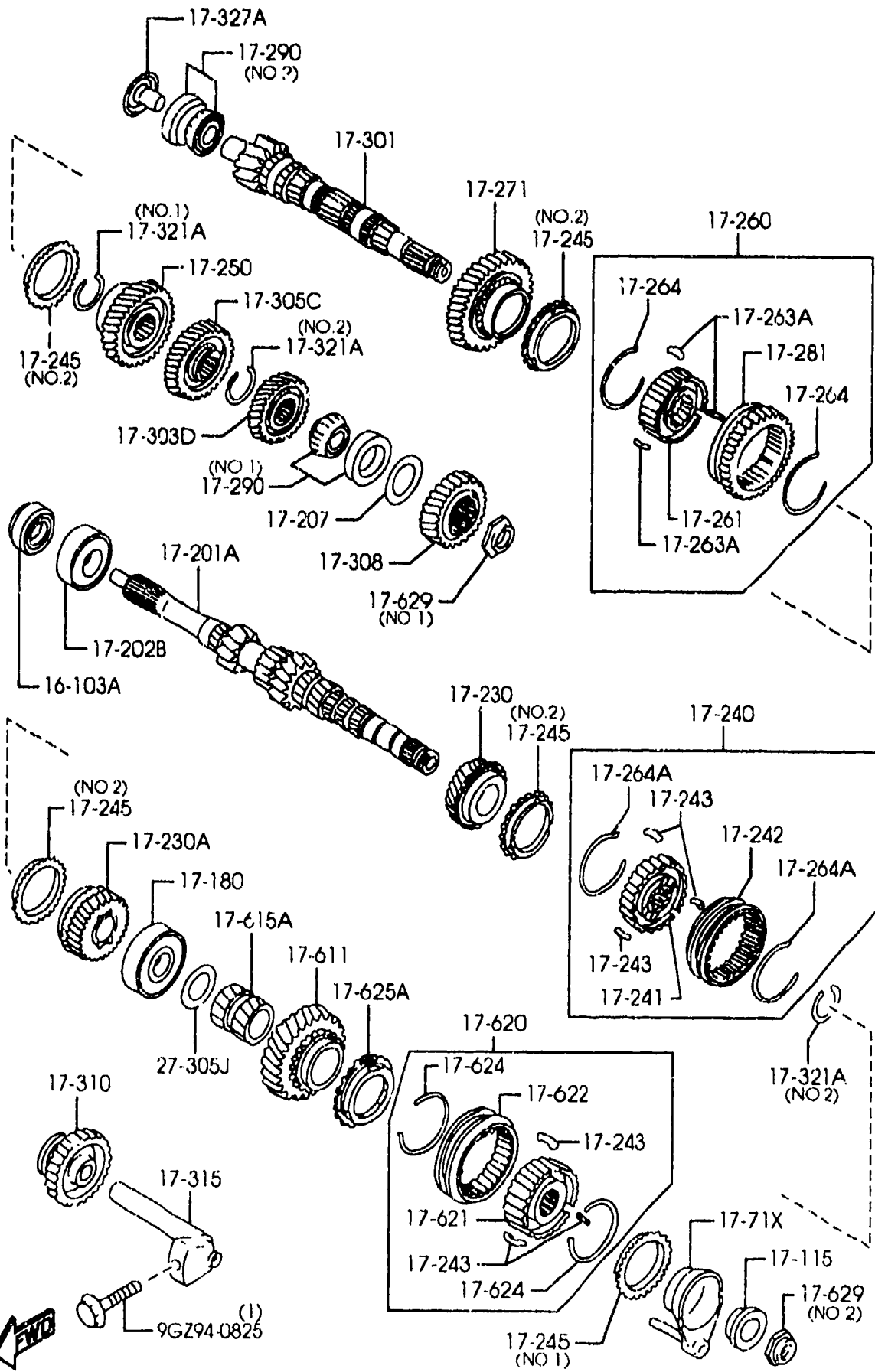


AUBA09 (2B63620)

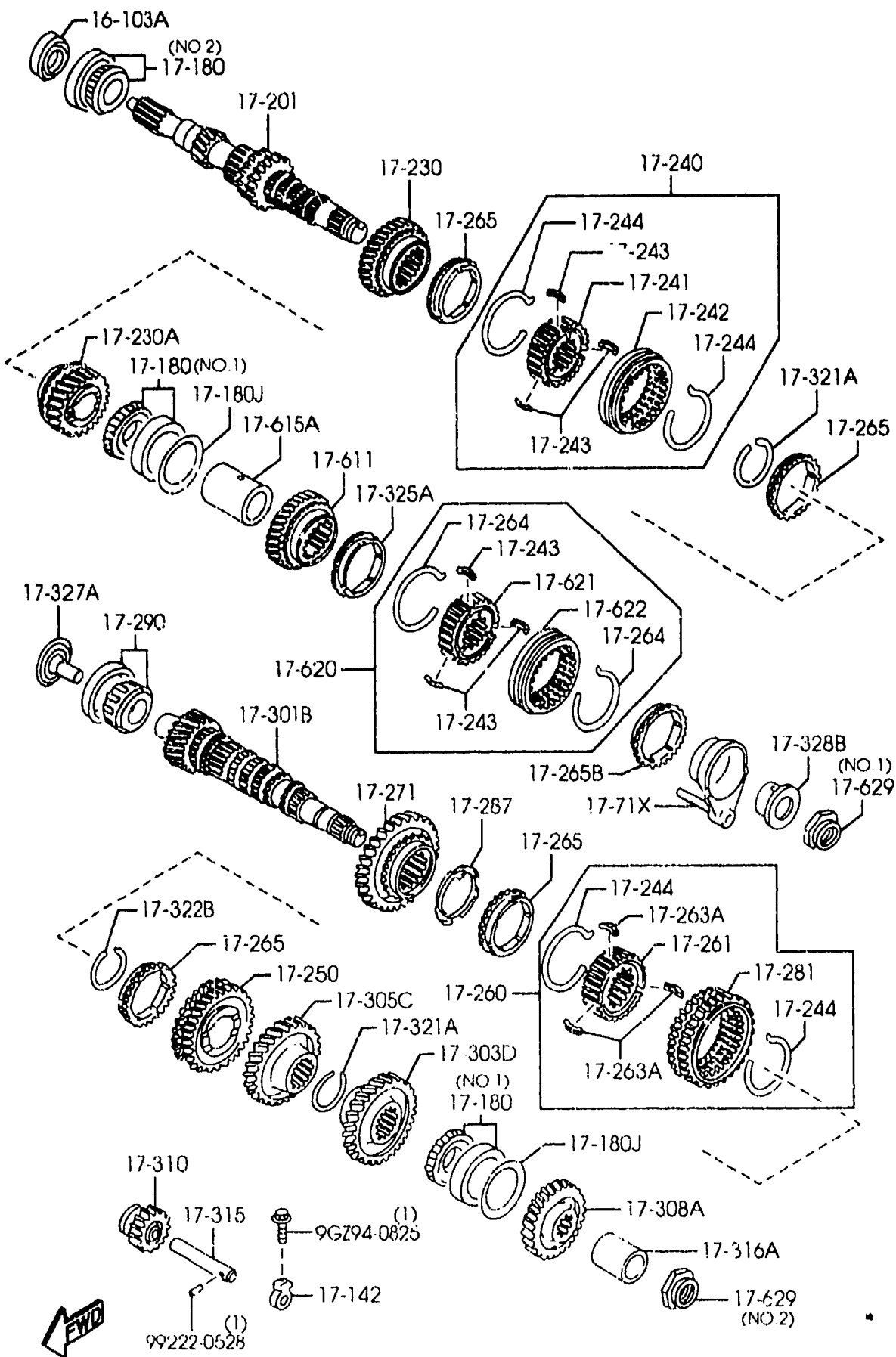
1710AA-2 MANUAL TRANSMISSION GEARS
(1600CC)

PART NO.	QTY	MODEL/RESTRICTION	MODEL/RESTRICTION	MODEL/RESTRICTION	FROM-TO
17-230		GEAR, 3RD	PIGNON RECEPTEUR, 3E ME		
F520-17-231B	1				
17-230A		GEAR, 4TH	PIGNON 4E		
F523-17-211E	1				
17-240		HUB SET, CLUTCH-3RD & 4TH	JEU, MOYEU ET MANCHON 4TH		
F5E0-17-240A	1				
17-241		HUB, CLUTCH	PIGNON FIXE		
F401-17-241A	1				
17-242		SLEEVE, CLUTCH HUB	MANCHON MOYEU D, EMBRAYAGE		
F5E0-17-242A	1				
17-243		KEY, SYNCHRONIZER	CALE DE SYNCHRONISATION		
F401-17-243C	6				
17-245		RING, SYNCHRONIZER	BAGUE DE SYNCHRONISATION		
F5D2-17-245A	1 (ILLUST. NO.1)				
F520-17-245D	4 (ILLUST. NO.2)				
17-250		GEAR, 2ND	PIGNON RECEPTEUR, 2E ME		
F521-17-251B	1				
17-260		HUB SET, CLUTCH-1ST & 2ND	JEU MOYEU, EMBRAY.-1E & 2E		
F521-17-260G	1				
17-261		HUB, CLUTCH	PIGNON FIXE		
F521-17-261	1				
17-263A		KEY, SYNCHRONIZER	CLAVETTE, SYNCHRONISUR		
F401-17-263C	3				
17-264		SPRING, SYNCHRO. KEY	RESSORT, BAGUE SYNCHRO		
F402-17-264	2				
17-264A		SPRING, SYNCHRONIZER	RESSORT, CLE SYNCHRONISATION		
F401-17-264A	2				

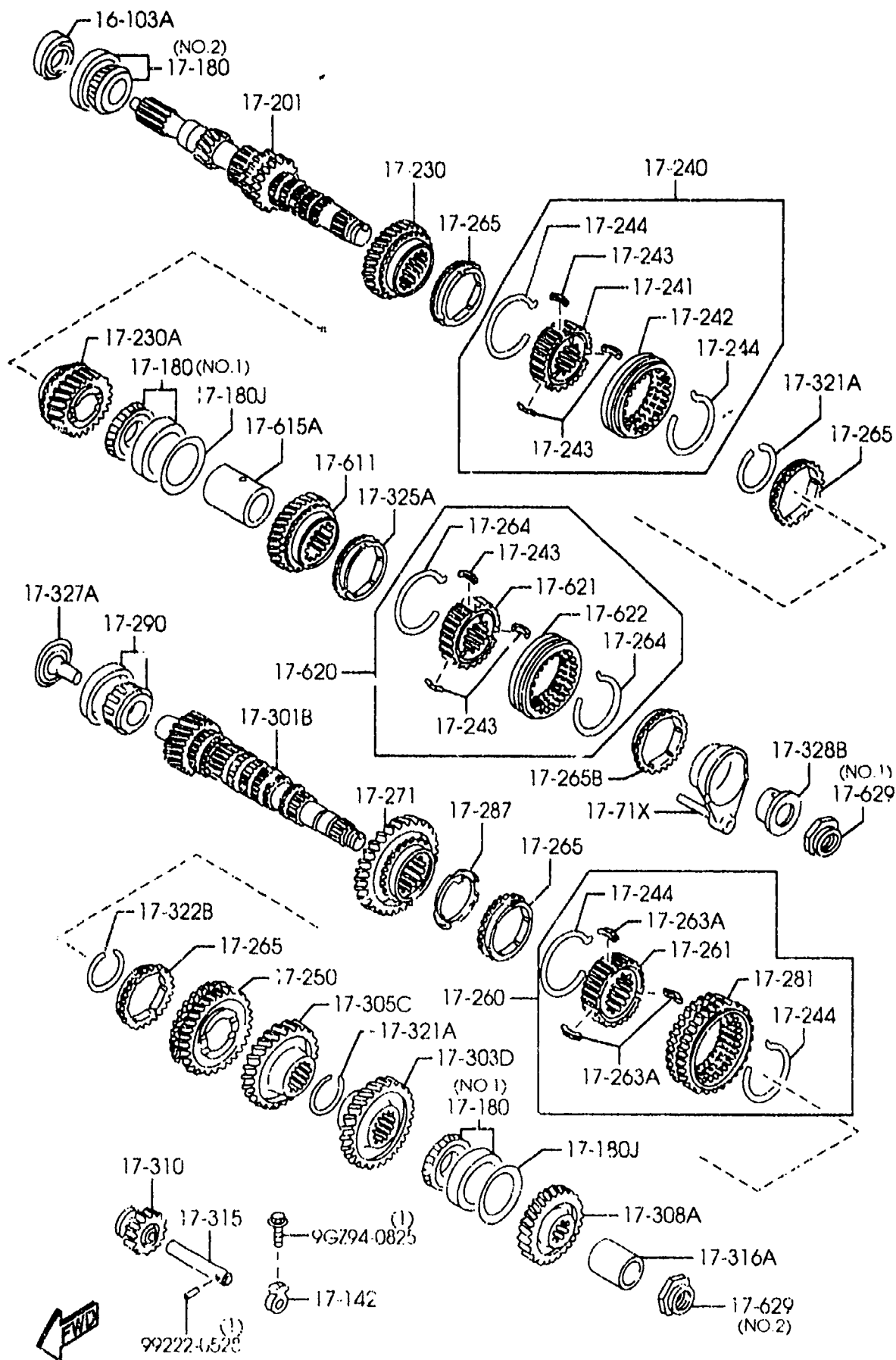
CAT. AUBA09-02 2001-07



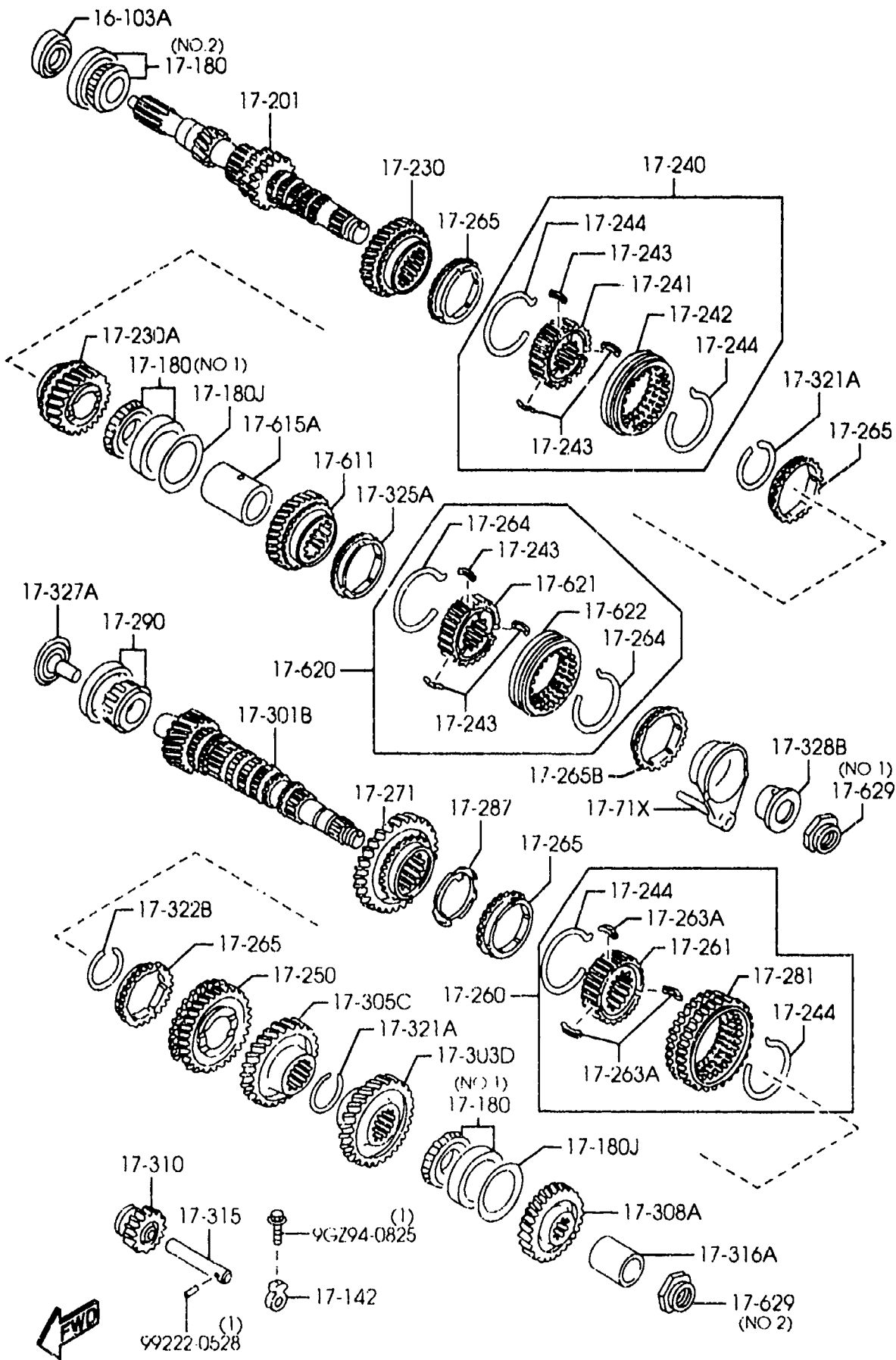
PART NO.	QTY	MODEL/RESTRICTION	MODEL/RESTRICTION	MODEL/RESTRICTION	FROM-TO
17-271		GEAR,1ST	PIGNON RECEPTEUR, 1E R		
F521-17-271B	1				
17-281		GEAR,REVERSE	PIGNON MARCHE AR		
F520-17-281G	1				
17-290		BEARING,TAPER NTN (ILLUST. NO.1)	ROULEMENT CONIQUE NTN		
F5D2-17-290	1				
17-290		KOYO (ILLUST. NO.2)	KOYO		
F520-17-290	1				
17-301		GEAR,COUNTER SHAFT	TRAIN FIXE		
F5D2-17-301	1				
17-303D		GEAR,SECD.4TH	PIGNON SECONDAIRE 4E		
F523-17-303B	1				
17-305C		GEAR,SECD.3RD	PIGNON SECONDAIRE 3E		
F520-17-305	1				
17-308		GEAR,COUNTER	TRAIN FIXE		
F5D2-17-308A	1				
17-310		GEAR,REVERSE IDLE	PIGNON DE RENVOI		
F520-17-310D	1				
17-315		SHAFT,REV. IDLE GEAR	ARBRE, PIGNON MARCHE ARR		
F520-17-315B	1				
17-321A		RING,RETAINING	CERCLE D'ARRET		
F401-17-321	1	(ILLUST. NO.1)			
G401-17-321	2	(ILLUST. NO.2)			
17-327A		FUNNEL	ENTONNOIR		
F5E0-17-327	1				
17-611		GEAR,OVER TOP	MODERATEUR VITESSE		
F5D2-17-611A	1				
17-615A		SLEEVE,GEAR	BAGUE DE PIGNON		



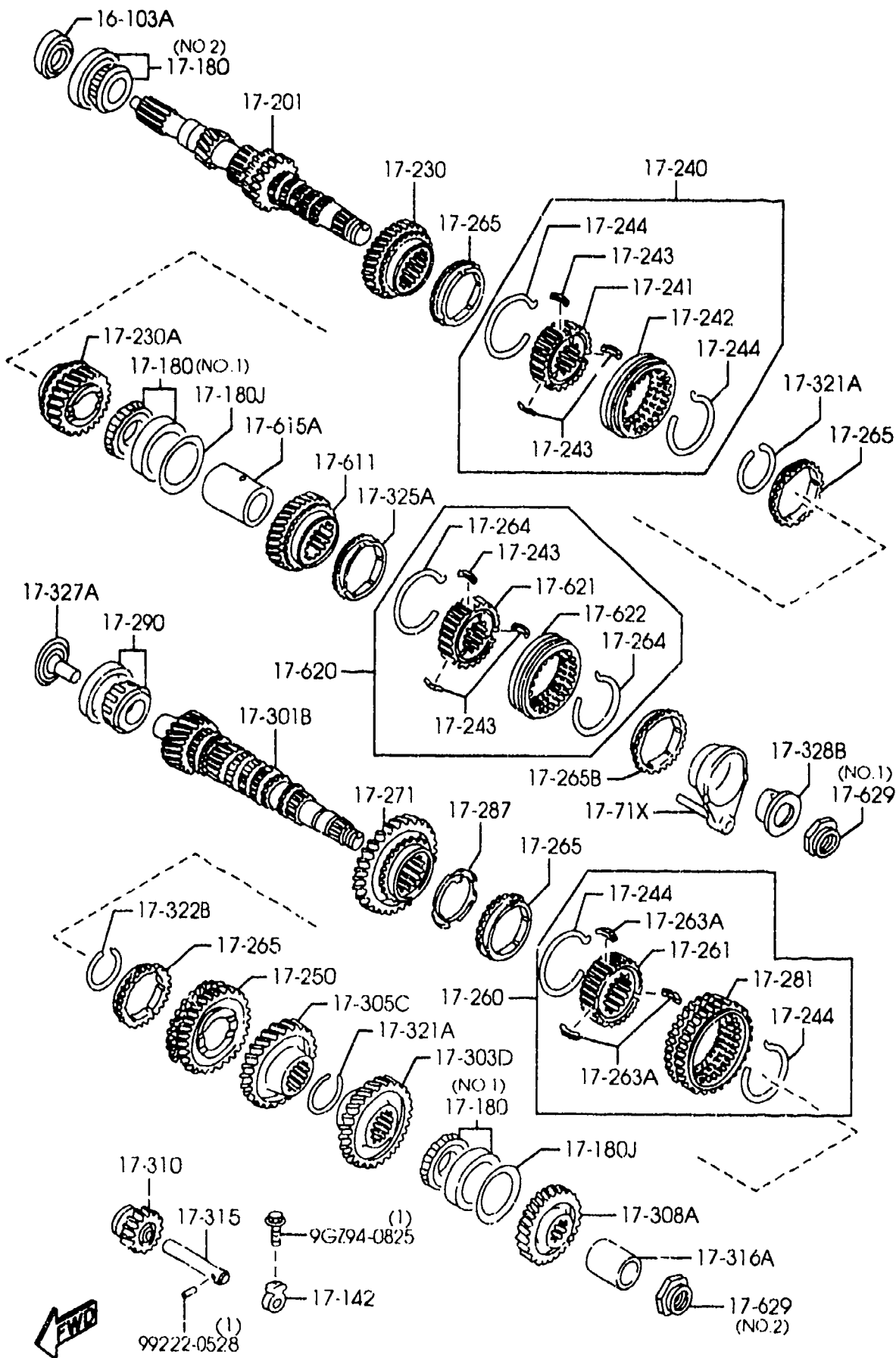
PART NO.	QTY	MODEL/RESTRICTION	MODEL/RESTRICTION	MODEL/RESTRICTION	FROM TO
16-103A	1	SEAL, OIL	ARRET D'HUILE		
0603-16-103	1				
17-142	1	SUPPORT, REV. IDLE GEAR	SUPPORT,		
G401-17-142	1				
17-180	2	BEARING	ROULEMENT		
G5P0-17-180A	2	(ILLUST. NO.1)			
G5R1-17-180A	1	NSK	NSK		
17-180J	2	SHIM	CALES		
G401-17-731B	2	T=0.5MM	T=0.5MM		
G401-17-732B	2	T=0.55MM	T=0.55MM		
G401-17-733B	2	T=0.6MM	T=0.6MM		
G401-17-734B	2	T=0.65MM	T=0.65MM		
G401-17-735B	2	T=0.7MM	T=0.7MM		
99963-5320	2	T=0.2MM	T=0.2MM		
99963-5325	2	T=0.25MM	T=0.25MM		
99963-5330	2	T=0.3MM	T=0.3MM		
99963-5335	2	T=0.35MM	T=0.35MM		
99963-5340	2	T=0.4MM	T=0.4MM		
99963-5345	2	T=0.45MM	T=0.45MM		
17-201	1	GEAR, MAIN DRIVE	ARBRE MOTEUR		
G5S0-17-201	1				
17-230	1	GEAR, 3RD	PIGNON RECEPTEUR, 3E ME		
G502-17-230D	1				
17-230A	1	GEAR, 4TH	PIGNON 4E		
G502-17-210A	1				



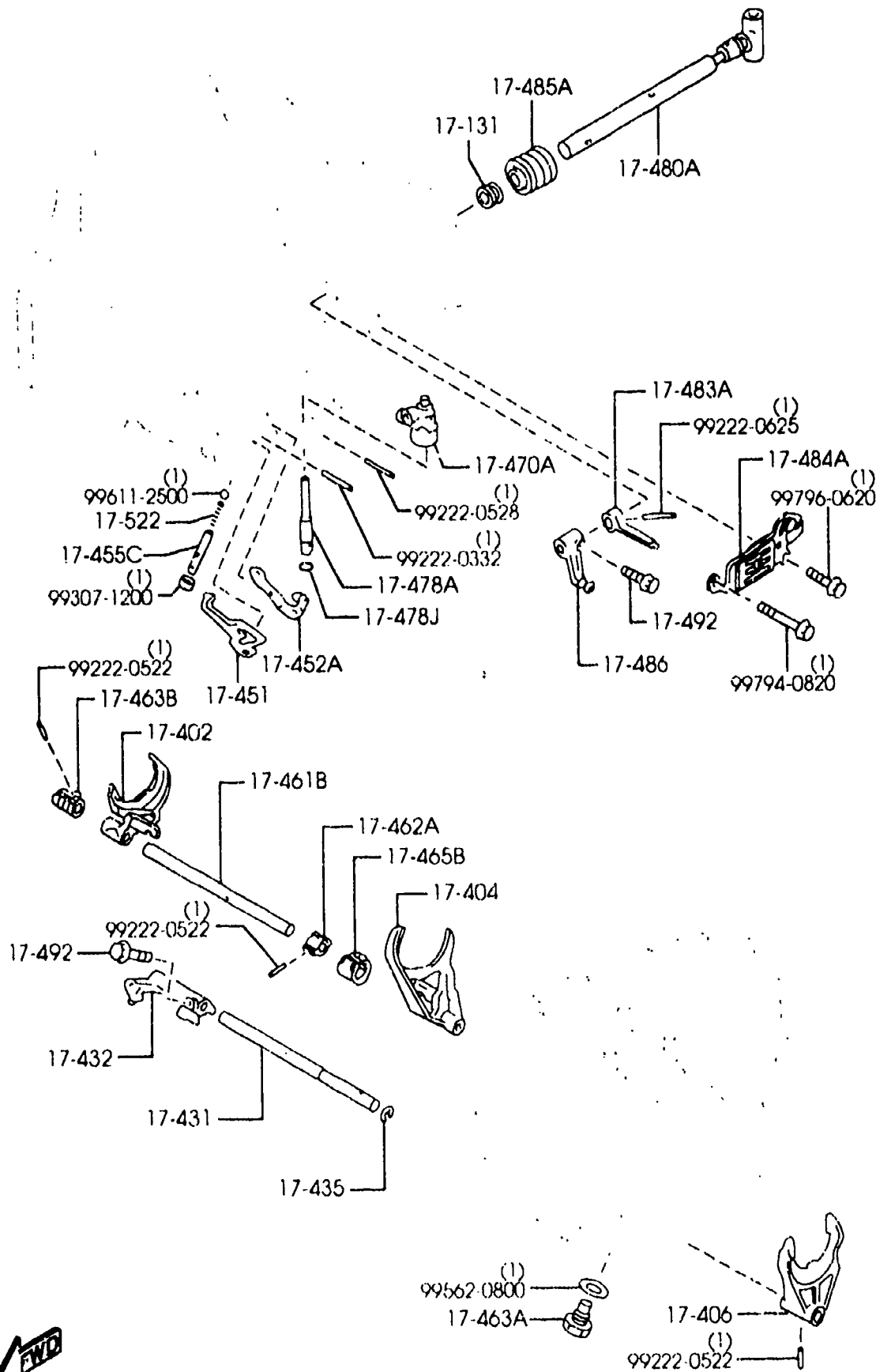
PART NO.	QTY	MODEL/RESTRICTION	MODEL/RESTRICTION	MODEL/RESTRICTION	FROM-TO
17-240	1	HUB SET, CLUTCH-3RD & 4TH	JEU, MOYEU ET MANCHON		
G501-17-240G					
17-241	1	HUB, CLUTCH	PIGNON FIXE		
G501-17-241B					
17-242	1	SLEEVE, CLUTCH HUB	MANCHON, MOYEU D. EMBRAYAGE		
G501-17-242D					
17-243	6	KEY, SYNCHRONIZER	CALE DE SYNCHRONISATION		
F401-17-243C					
17-244	4	SPRING, SYNCHRO. KEY	RESSORT, BAGUE SYNCHRO		
G502-17-264					
17-250	1	GEAR, 2ND	PIGNON RECEPTEUR, 2E ME		
G5P0-17-251					
17-260	1	HUB SET, CLUTCH-1ST & 2ND	JEU MOYEU, EMBRAY.-1E & 2E		
G574-17-260A					
17-261	1	HUB, CLUTCH	PIGNON FIXE		
G503-17-261					
17-263A	3	KEY, SYNCHRONIZER	CLAVETTE, SYNCHRONISEUR		
F401-17-263C					
17-264	2	SPRING, SYNCHRO. KEY	RESSORT, BAGUE SYNCHRO		
G501-17-264					
17-265	6	RING, SYNCHRONIZER	BAGUE DE SYNCHRONISATION		
M510-17-265					
17-265B	1	RING, SYNCHRONIZER	BAGUE, SYNCHRONISEUR		
G504-17-265B					
17-271	1	GEAR, 1ST	PIGNON RECEPTEUR, 1ER		
G550-17-271					
17-281	1	GEAR, REVERSE	PIGNON MARCHE AR		
G567-17-281C					



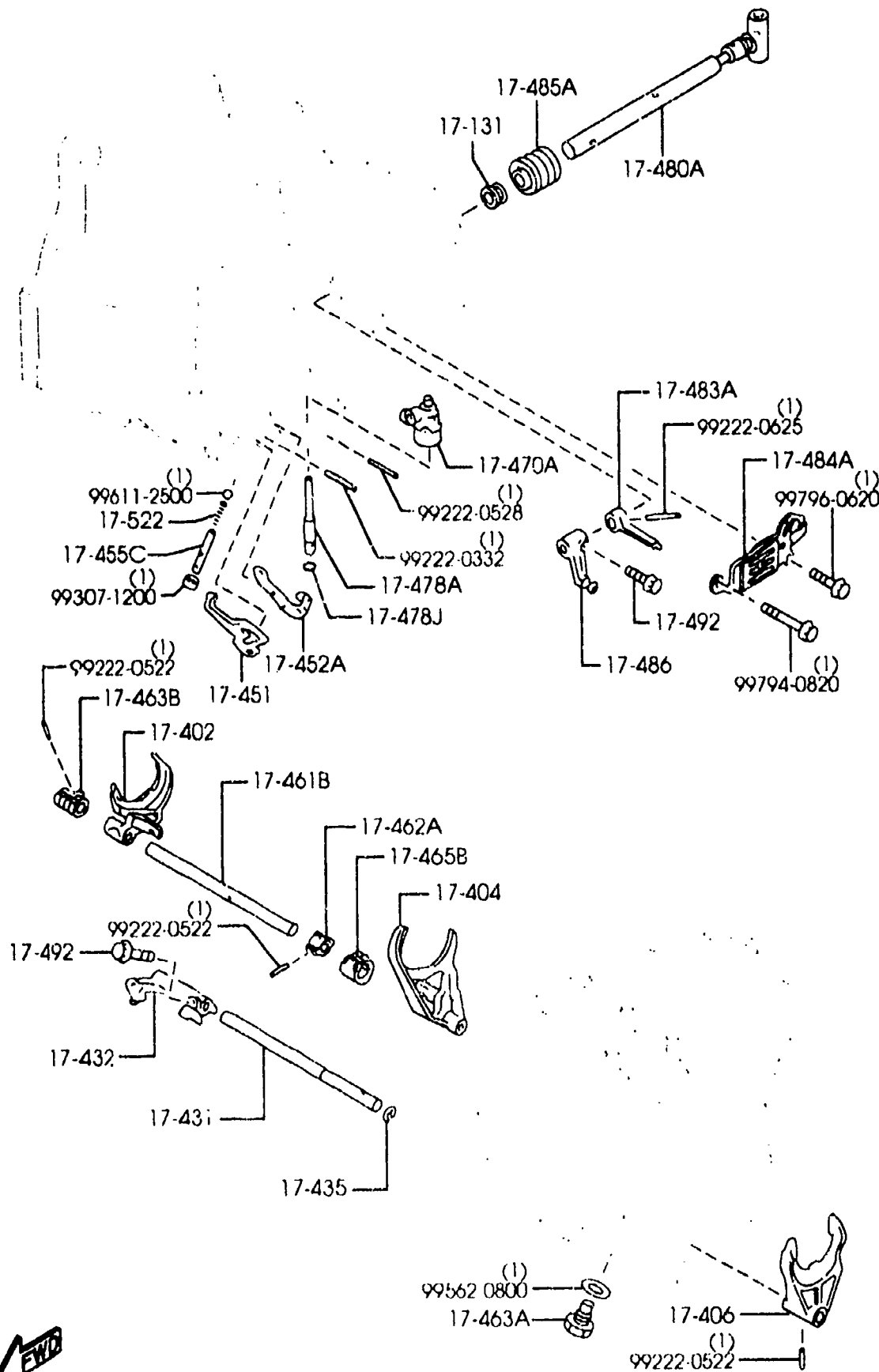
PART NO.	QTY	MODEL/RESTRICTION	MODEL/RESTRICTION	MODEL/RESTRICTION	FROM-TO
17-287		SHIM, ADJUST	EPAISSEUR		
G501-17-286 A (G501-17-286A)	1				-0C01
G501-17-286A	1				0C01-
17-290		BEARING, TAPER KOYO	ROULEMENT CONIQUE KOYO		
G5R0-17-290A	1				
17-301B		GEAR, SECD. SHAFT	PIGNON, ARBRE SECONDAIRE		
G560-17-301B	1				
17-303D		GEAR, SECD. 4TH	PIGNON SECONDAIRE 4E		
G502-17-303B	1				
17-305C		GEAR, SECD. 3RD	PIGNON SECONDAIRE 3E		
G502-17-305B	1				
17-308A		GEAR, SECD. 5TH	PIGNON SECONDAIRE 5E		
G521-17-308	1				
17-310		GEAR, REVERSE IDLE	PIGNON DE RENVOI		
G560-17-310A	1				
17-315		SHAFT, REV. IDLE GEAR	ARBRE, PIGNON MARCHE ARR		
G502-17-141A	1				
17-316A		SPACER	RONDELLE		
G501-17-316A	1				
17-321A		RING, RETAINING	CERCLE D'ARRET		
G401-17-321	2				
17-322E		RING, RETAINING	CERCLE D'ARRET		
G401-17-322	1				
17-325A		RING, SYNCHRONIZER	BAGUE DE SYNCHRONISATION		
B501-17-265A	1				
17-327A		FUNNEL	ENTONNOIR		
G501-17-327A	1				
0C01 BJ22* -406227					



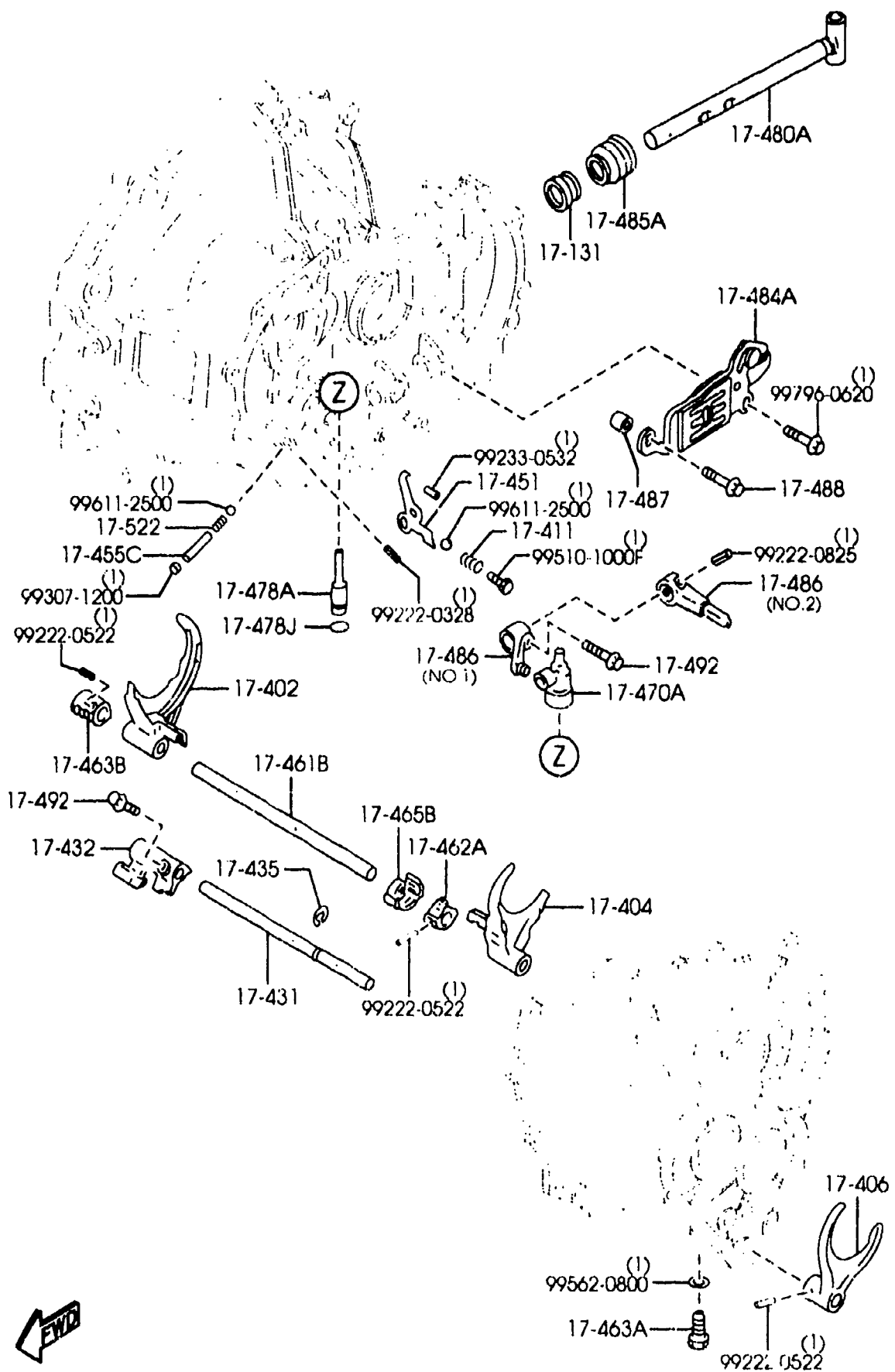
PART NO.	QTY	MODEL/RESTRICTION	MODEL/RESTRICTION	MODEL/RESTRICTION	FROM-TO
17-328B		SLEEVE, GEAR	MANCHON, ENGRENAGE		
G501-17-328A	1				
17-611		GEAR, OVER TOP	MODERATEUR VITESSE		
G565-17-611A	1				
17-615A		SLEEVE, GEAR	BAGUE DE PIGNON		
G501-17-615	1				
17-620		HUB SET, CLUTCH-O.T. & REV	JEU, PIGNONS MARCHE A R		
G502-17-620E	1				
17-621		HUB, CLUTCH	PIGNON FIXE		
G502-17-621B	1				
17-622		SLEEVE, CLUTCH HUB	MANCHON, EMBRAYAGE		
G502-17-622C	1				
17-629		NUT, LOCK-CLUTCH HUB	ECROU DE SERRAGE		
F520-17-628	1 (ILLUST. NO.1)				
F521-17-628A	1 (ILLUST. NO.2)				
17-71X		CONE, REVERSE-SYNCR.	CONE, INVERSE-SYNCHRO NE		
G501-17-71X	1				



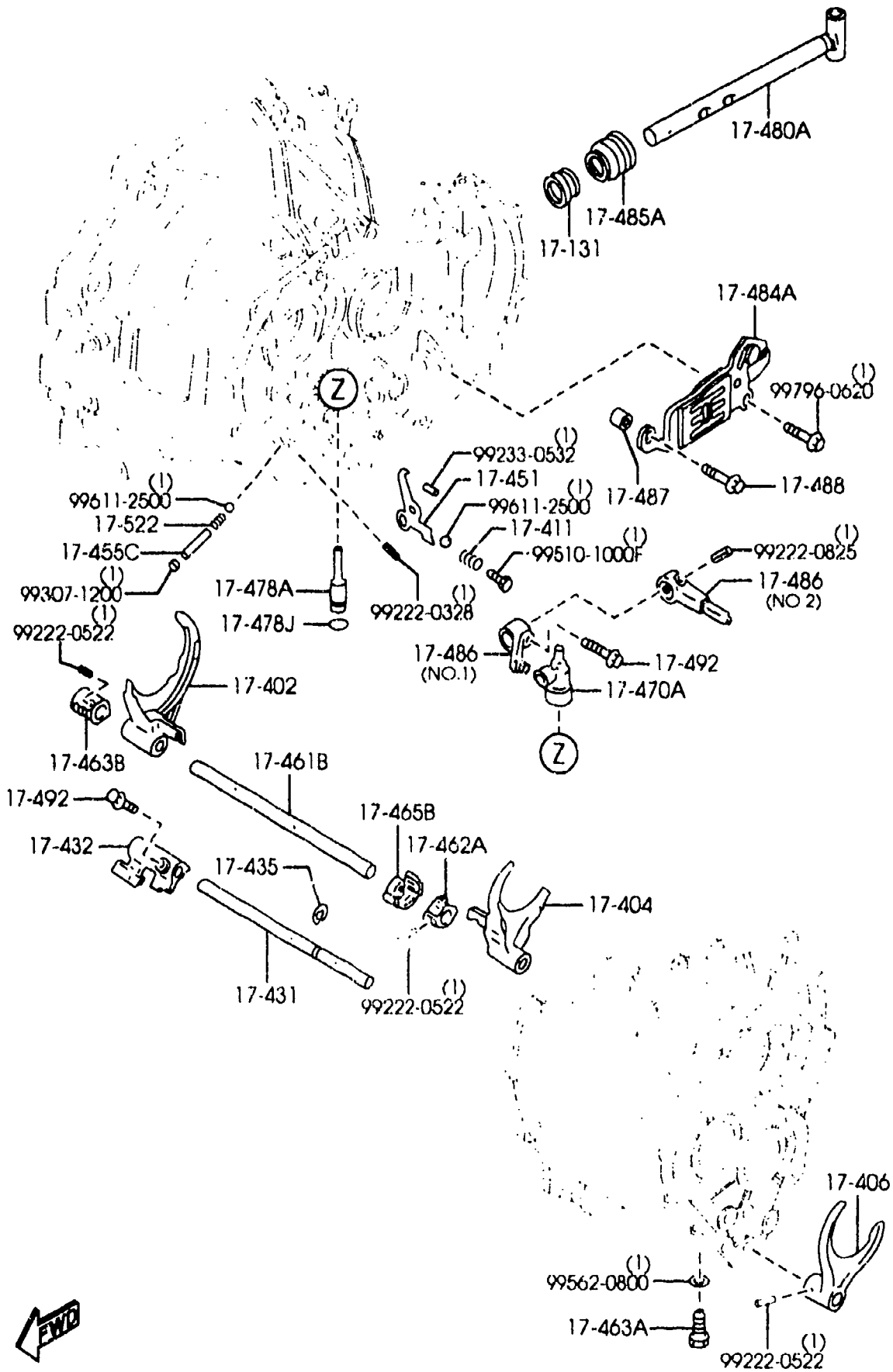
PART NO.	QTY	MODEL/RESTRICTION	MODEL/RESTRICTION	MODEL/RESTRICTION	FROM-TO
17-131		SEAL, OIL	JOINT A L'HUILE		
F401-17-131A	1				
17-402		FORK, SHIFT (1ST & 2ND)	FOURCHETTE, VITESSE D)		
F5E0-17-402	1				
17-404		FORK, SHIFT (3RD & 4TH)	FOURCHETTE, VITESSE H)		
F5E0-17-404	1				
17-406		FORK, SHIFT	FOURCHETTE, VITESSE		
F5D2-17-406A	1				
17-431		ROD, SHIFT-OVER TOP & REVERSE	COULISSEAU		
F520-17-431	1				
17-432		END, SHIFT	CHANGEMENT (ENBOUT)		
F5E0-17-432	1				
17-435		RING, SNAP	CALE		
0821-17-435	1				
17-451		LEVER, REV.	LEVIER DE MARCHE AR		
F401-17-451C	1				
17-452A		SPRING, LEVER SET	RESSORT DE FIXATION,		
F401-17-452C	1				
17-455C		SHAFT, REV. LEVER	AXE, LEVIER DE MARCHE AR		
F520-17-455	1				
17-461B		ROD, CONTROL	TIGE DE COMMANDE		
F401-17-461B	1				
17-462A		LEVER, CONTROL	LEVIER DE CONTROLE		
G503-17-462	1				
17-463A		PIN, STOPPER-RR.	AXE, BUTEE		
M501-17-478	1				
17-463B		END, CONTROL	EXTREMITE, COMMANDE		
G501-17-463A	1				



PART NO.	QTY	MODEL/RESTRICTION	MODEL/RESTRICTION	MODEL/RESTRICTION	FROM-TO
17-465B		SLEEVE, INTERLOCK	MANCHON DE VERROUILLAGE		
6502-17-465	1				
17-470A		LEVER, CRANK	LEVIER COUDE		
F401-17-470E	1				
17-478A		SHAFT, CRANK LEVER	AXE, LEVIER COUDE		
F401-17-478	1				
17-478J		RING, 'O'	JOINT 'O'		
99541-01107	1				
17-480A		ROD, CHANGE	TIGE DE CHANGEM, DE VITESSE		
F402-17-480G	1				
17-483A		SELECTOR	SELECTEUR		
6560-17-483B	1				
17-484A		PLATE, GUIDE	PLAQUETTE, GUIDE		
F520-17-480J	1				
17-485A		BOOT	SOUFFLET		
F401-17-485	1				
17-486		ARM, CHANGE	BRAS		
F401-17-486B	1				
17-492		BOLT, REAMER	BOULON		
F401-17-313	2				
17-522		SPRING	RESSORT		
0103-17-411	1				



PART NO.	QTY	MODEL/RESTRICTION	MODEL/RESTRICTION	MODEL/RESTRICTION	FROM-TO
17-131		SEAL,OIL	JOINT A L'HUILE		
F401-17-131A	1				
17-402		FORK,SHIFT (1ST & 2ND)	FOURCHETTE, VITESSE D)		
G503-17-40X	1				
17-404		FORK,SHIFT (3RD & 4TH)	FOURCHETTE, VITESSE H)		
G501-17-40Y	1				
17-406		FORK,SHIFT	FOURCHETTE, VITESSE		
G502-17-406B	1				
17-411		SPRING,SHIFT ROD	RESSORT		
G403-17-411	1				
17-431		ROD,SHIFT-OVER TOP & REVERSE	COULISSEAU		
G502-17-431	1				
17-432		END,SHIFT	CHANGEMENT (ENBOUT)		
G504-17-432	1				
17-435		RING,SNAP	CALE		
0821-17-435	1				
17-451		LEVER,REV.	LEVIER DE MARCHE AR		
G501-17-451E	1				
17-455C		SHAFT,REV.LEVER	AXE,LEVIER DE MARCHE AR		
G401-17-455A	1				
17-461B		ROD,CONTROL	TIGE DE COMMANDE		
G501-17-461	1				
17-462A		LEVER,CONTROL	LEVIER DE CONTROLE		
G503-17-462	1				
17-463A		PIN,STOPPER-RR.	AXE,BUTEE		
M501-17-478	1				
17-463B		END,CONTROL	EXTREMITE,COMMANDE		
G560-17-463	1				



PART NO.	QTY	MODEL/RESTRICTION	MODEL/RESTRICTION	MODEL/RESTRICTION	FROM-TO
17-465B		SLEEVE, INTERLOCK	MANCHON DE VERRUILLAGE		-1801
G502-17-465A (G502-17-465A)	1				1801-
G502-17-465A	1				
17-470A		LEVER, CRANK	LEVIER COUDE		
F401-17-470E	1				
17-478A		SHAFT, CRANK LEVER	AXE, LEVIER COUDE		
G401-17-478	1				
17-478J		RING, 'O'	JOINT 'O'		
99541-01107	1				
17-480A		ROD, CHANGE	TIGE DE CHANGEM, DE VITESSE		
G5P0-17-48Y	1				
17-484A		PLATE, GUIDE	PLAQUETTE, GUIDE		
F520-17-480J	1				
17-485A		BOOT	SGUFFLET		
F401-17-485	1				
17-486		ARM, CHANGE	BRAS		
F401-17-486B	1 (ILLUST. NO.1)				
G5P0-17-488	1 (ILLUST. NO.2)				
17-487		PIPE	CONDUIT		
F401-17-487	1				
17-488		BOLT	BOULON		
F402-17-488B	1				
17-492		BOLT, REAMER	BOULON		
F401-17-313	2				
17-522		SPRING	RESSORT		
0103-17-411	1				

AUBA09

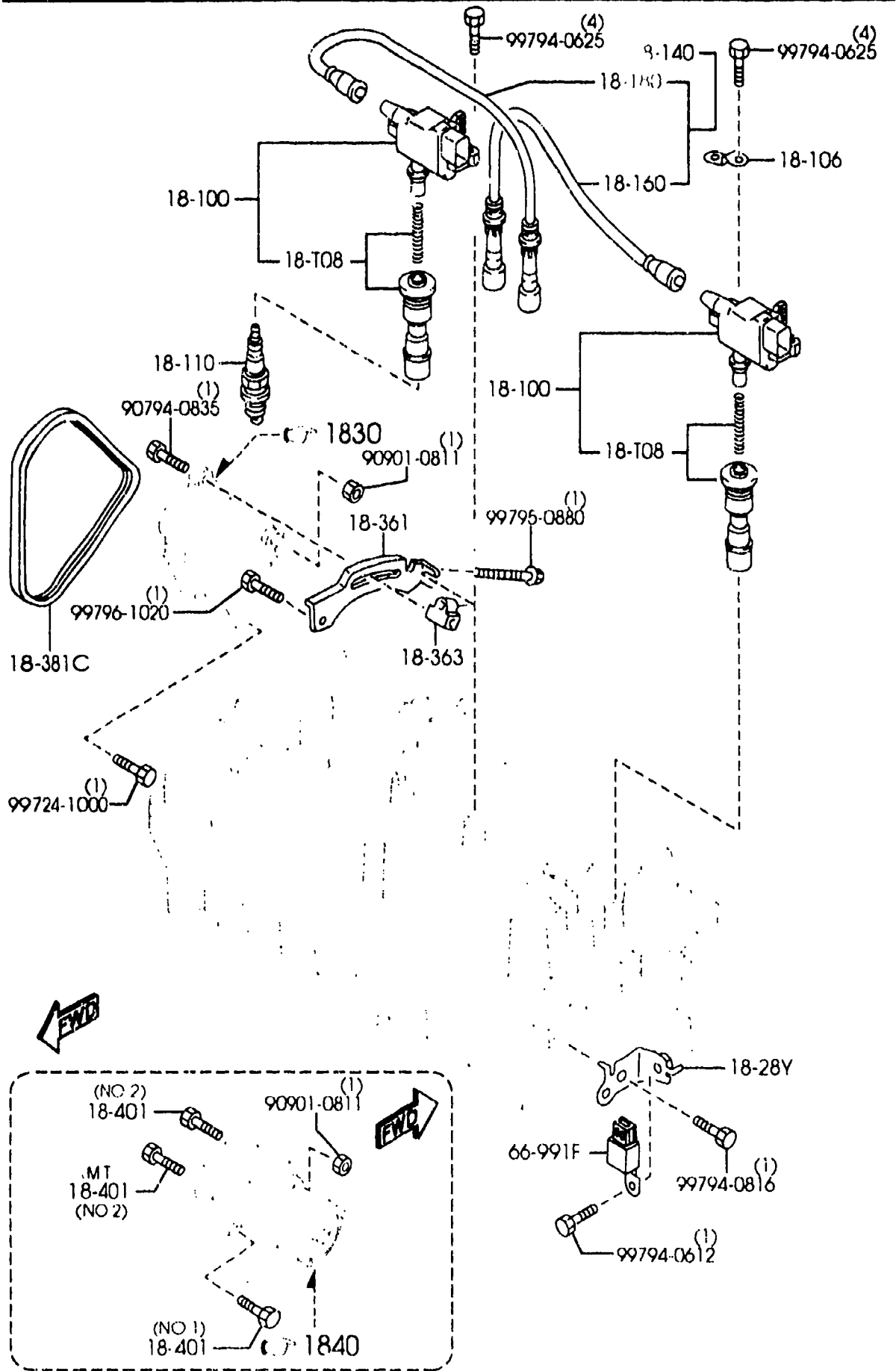
(2B65720)

CAT. AUBA09-02

2001-07

1800AA ENGINE ELECTRICAL SYSTEM
(1600CC)

1800AA-1 ENGINE ELECTRICAL SYSTEM
(1600CC)



PART NO.	QTY	MODEL/RESTRICTION	MODEL/RESTRICTION	MODEL/RESTRICTION	FROM-TO
18-T08 ZM91-18-T08	2	WIRING, SHORT-IG. COI L	CABLAGE, COURT-B. ALL UMAGE		
18-100 ZM01-18-100	2	COIL, IGNITION	BOBINE D'ALLUMAGE		
18-106 ZL01-18-106A	1	BRACKET, IG. COIL	SUPPORT, BOBIN ALLUMA GE		
18-110 F285-18-110	4	PLUG, SPARK ZFR6F-11 NGK (OPTION COLD TYPE) (SUPPLIER IN SELECTI ON)	BOUGIE ZFR6F-11 NGK		
F286-18-110	4	KJ20CR-11 ND (OPTION COLD TYPE) (SUPPLIER IN SELECTI ON)	KJ20CR-11 ND		
F287-18-110	4	ZFR5F11 NGK (STD.) (SUPPLIER IN SELECTI ON)	ZFR5F11 NGK		
F288-18-110	4	KJ16CR11 ND (STD.) (SUPPLIER IN SELECTI ON)	KJ16CR11 ND		
18-140 ZL01-18-140A	1	CORD SET, HI. TENSION	FAISCEAU, HAUTE TENS ION		
18-160 ZL01-18-160A	1	CORD NO. 1, HI. TENSION	FAISCEAU NO 1		
18-180 ZL01-18-180A	1	CORD NO. 3, HI. TENSION	FAISCEAU NO 3		
18-28Y ZL02-18-28XC	1	BRACKET, CONDENSER	SUPPORT, CADRE CONDES AT.		
18-361 B6BF-18-361C	1	STRAP, ALTERNATOR	ATTACHE ALTERNATEUR		
18-363 FP01-18-363	1	SPACER, STRAP	ENTRETOISE,		

AUBA09

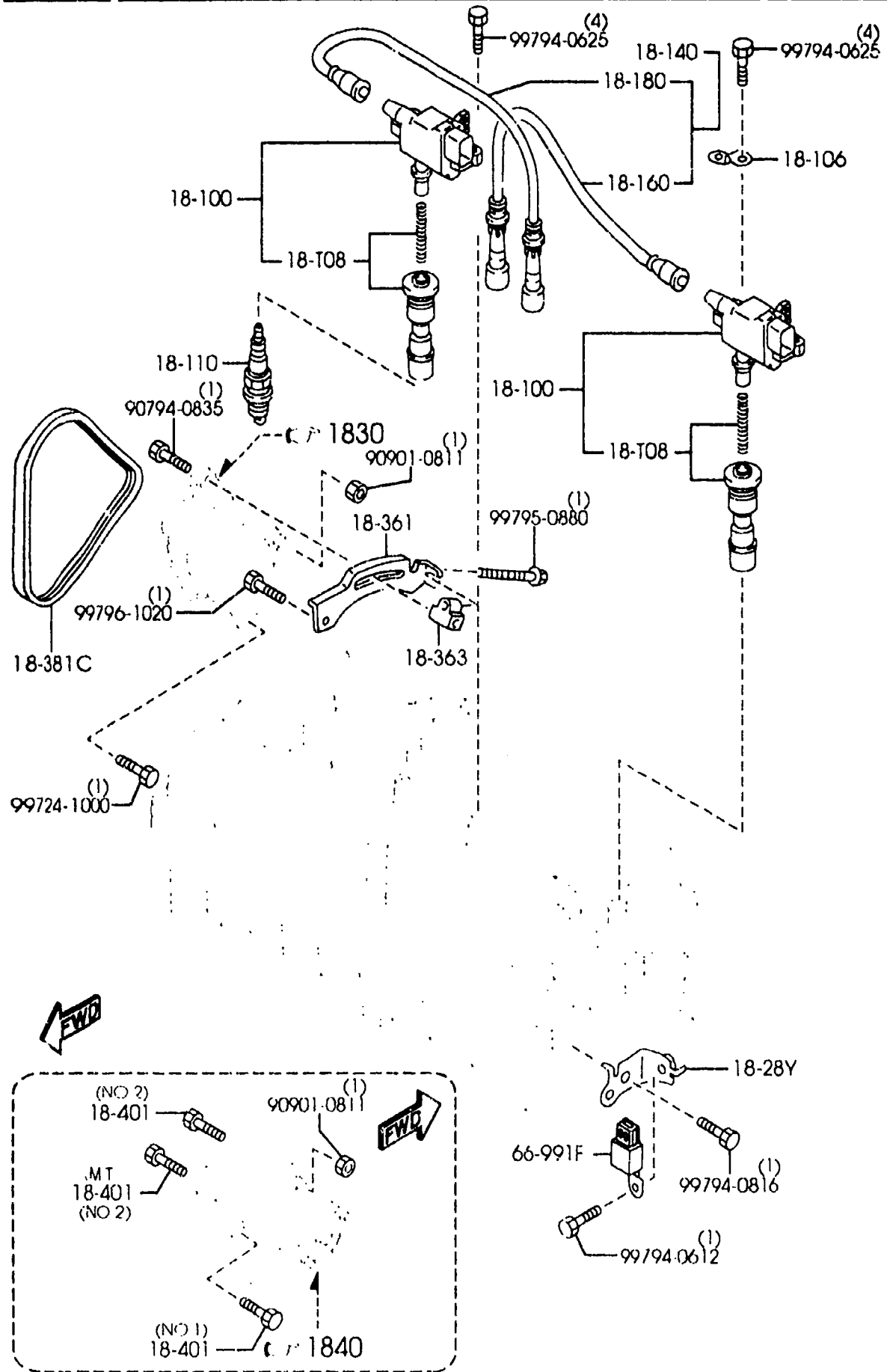
(2B31170)

CAT. AUBA09-02

2001-07

1800AA ENGINE ELECTRICAL SYSTEM
(1600CC)

1800AA-2 * ENGINE ELECTRICAL SYSTEM
(1600CC)



PART NO.	QTY	MODEL/RESTRICTION	MODEL/RESTRICTION	MODEL/RESTRICTION	FROM-TO
18-381C B6BF-18-381	1	BELT 'V', W/PUMP & ALTERNATOR 4PK L=885 BANDO	COURR. TRAP., P. EAU & ALT. 4PK L=885 BANDO		
18-401 B6BF-18-401A B6BG-18-401A B6BG-18-401A	1 1 1 2	BOLT, STARTER (ILLUST. NO.1) (ILLUST. NO.2) (AT) (ILLUST. NO.2) (MT)	BOULON DE DEMARREUR (B.V. AUTOM) (B.V. MANU)		
66-991F ZL01-66-991	1	CONDENSER	CONDENSATEUR		

AUBA09

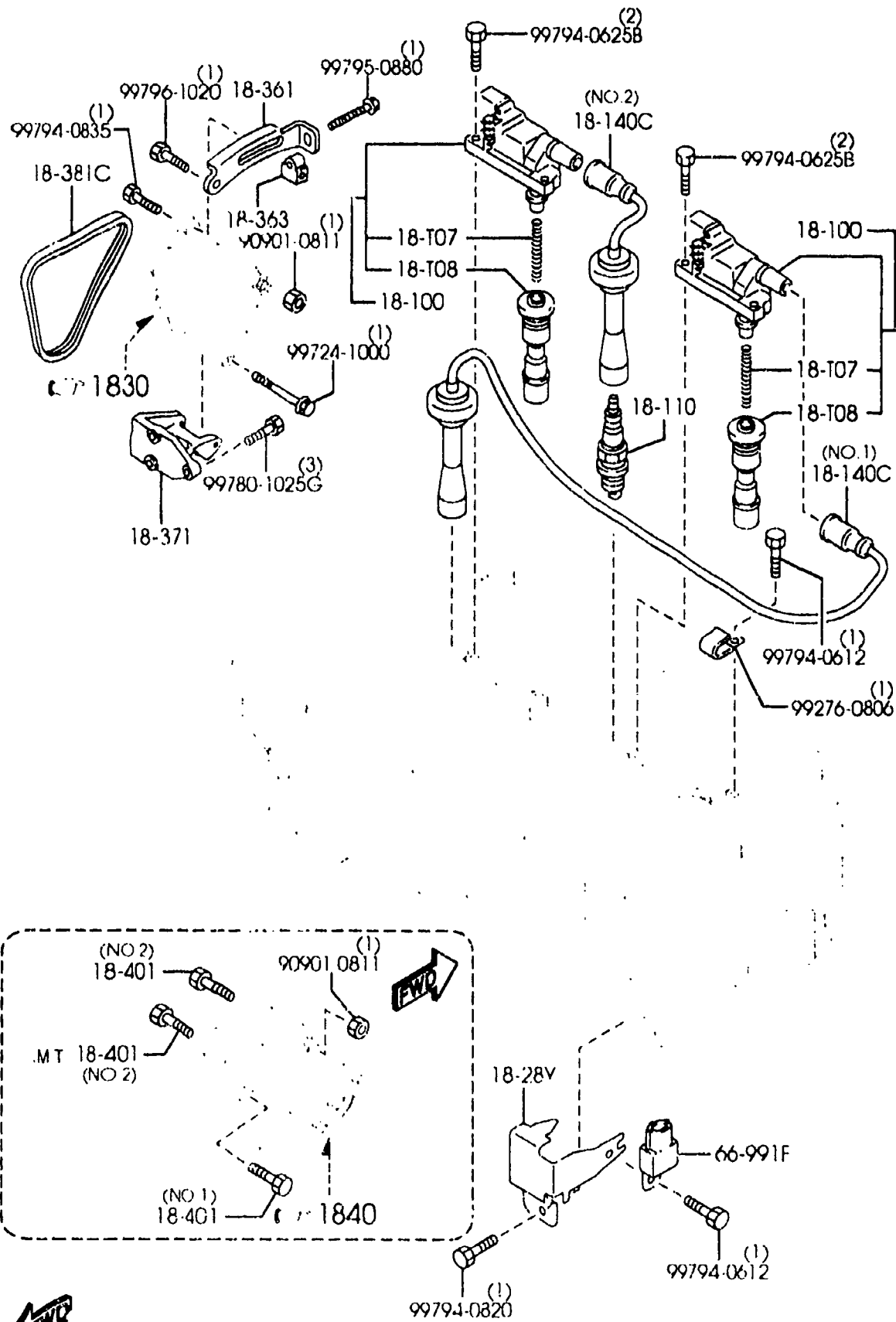
(2831170)

CAT. AUBA09-02

2001-07

1-J10

180CAB ENGINE ELECTRICAL SYSTEM
(2000CC)



AUBA09

(2B53130)

1800AB-1 ENGINE ELECTRICAL SYSTEM
(2000CC)

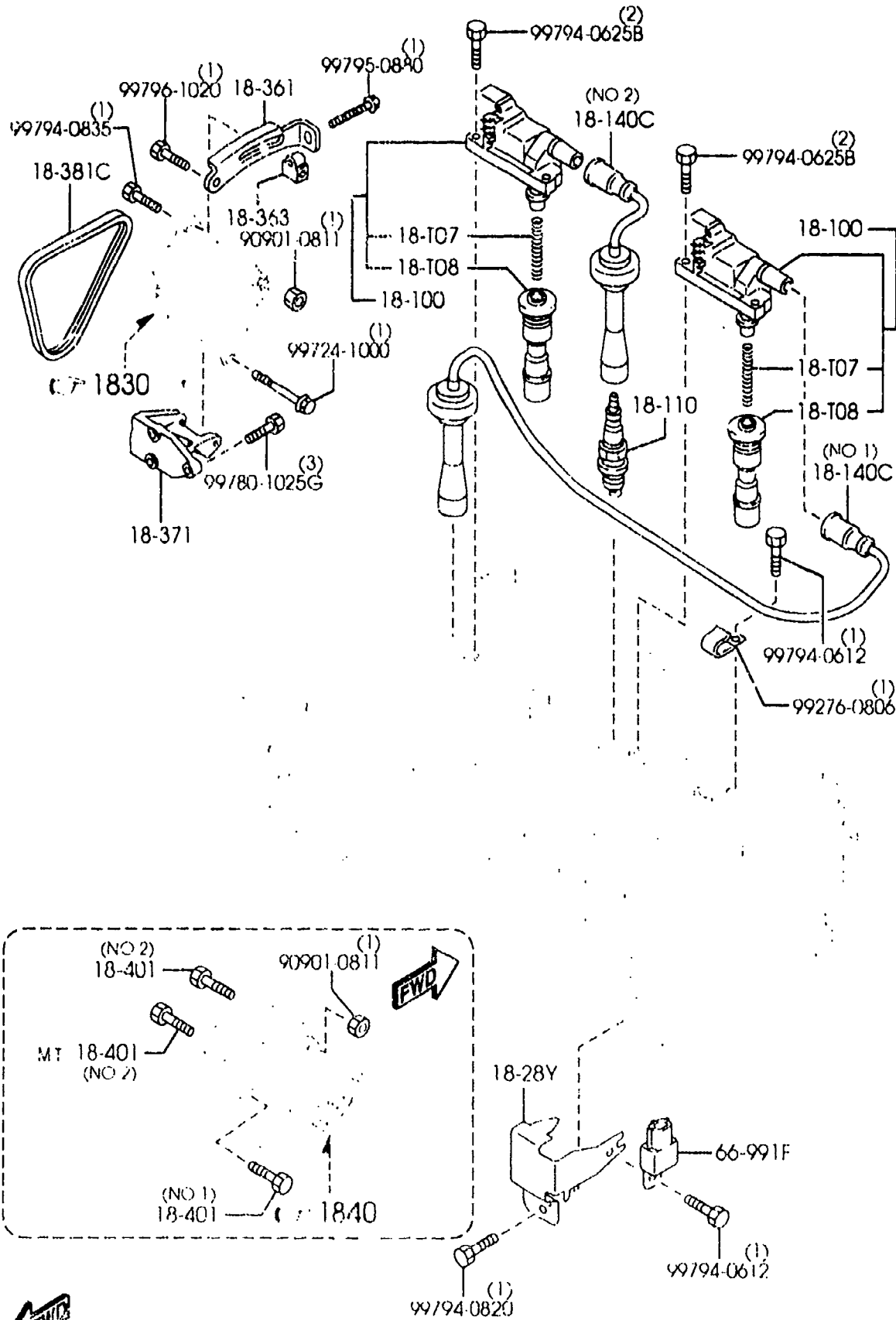
PART NO.	QTY	MODEL/RESTRICTION	MODEL/RESTRICTION	MODEL/RESTRICTION	FROM-TO
18-T07	2	WASHER, SPRING-IG. COIL	RONDELLE, RESSORT-B. ALLUM.		
KJ01-18-T07	2				
18-T08	2	WIRING, SHORT-IG. COIL	CABLAGE, COURT-B. ALLUMAGE		
KJ01-18-T08	2				
18-100	2	COIL, IGNITION	BOBINE D'ALLUMAGE		
FP05-18-100C	2				
18-110	4	PLUG, SPARK	BOUGIE		
BP01-18-110	4	BKR5E-11 NGK (STD.) (SUPPLIER IN SELECTION)	BKR5E-11 NGK		
BP02-18-110	4	K16PR-U11 ND (STD.) (SUPPLIER IN SELECTION)	K16PR-U11 ND		
BP03-18-110	4	BKR6E-11 NGK (OPTION COLD TYPE) (SUPPLIER IN SELECTION)	BKR6E-11 NGK		
BP04-18-110	4	K20PR-U11 ND (OPTION COLD TYPE) (SUPPLIER IN SELECTION)	K20PR-U11 ND		
BP11-18-110	4	RC10YC4 CHAMPION (OPTION HOT TYPE) (SUPPLIER IN SELECTION)	RC10YC4 CHAMPION		
BP12-18-110	4	RC8YC4 CHAMPION (OPTION COLD TYPE) (SUPPLIER IN SELECTION)	RC8YC4 CHAMPION		
BP13-18-110	4	BP1318110 MAZDA (OPTION HOT TYPE) (SUPPLIER IN SELECTION)	BP1318110 MAZDA		
BP14-18-110	4	BP1418110 MAZDA (OPTION COLD TYPE) (SUPPLIER IN SELECTION)	BP1418110 MAZDA		
*ZM01-18-110	4	SKJ16CR DENSO (OPTION) (MPS SUSP)	SKJ16CR DENSO (SUSP. MPS)		1501-
*ZM02-18-110	4	SKJ20CR DENSO (OPTION COLD TYPE) (MPS SUSP)	SKJ20CR DENSO (SUSP. MPS)		1501-
18-140C		CORD, HIGH TENSION	FIL, HAUTE TENSION		
1501 9J22* -467953					

CAT. AUBA09-02

2001-07

1800AB ENGINE ELECTRICAL SYSTEM
(2000CC)

1800AB-2 * ENGINE ELECTRICAL SYSTEM
(2000CC)



PART NO.	QTY	MODEL/RESTRICTION	MODEL/RESTRICTION	MODEL/RESTRICTION	FROM-TO
CONT'D					
FP85-18-140A	1	(ILLUST. NO.1)			
FP86-18-140A	1	(ILLUST. NO.2)			
18-28Y		BRACKET, CONDENSER	SUPPORT, CADRE CONDES AT.		
FP85-18-28XB	1				
18-361		STRAP, ALTERNATOR	ATTACHE ALTERNATEUR		
FS05-18-361D	1				
18-363		SPACER, STRAP	ENTRETOISE,		
FP01-18-363	1				
18-371		BRACKET, ALTERNATOR	ATTACHE, ALTERNATEUR		
FS01-18-371A	1				
18-381C		BELT 'V', W/PUMP & ALTERNATOR	COURR. TRAP., P. EAU & ALT.		
FSJ2-18-381	1	4PK-920 BANDO (SUPPLIER IN SELECTION)	4PK-920 BANDO		
FS59-18-381B	1	4PK-920 GOOD YEAR (SUPPLIER IN SELECTION)	4PK-920 GOOD YEAR		
18-401		BOLT, STARTER	BOULON DE DEMARREUR		
B6BF-18-401A	1	(ILLUST. NO.1)			
B6BG-18-401A	1	(ILLUST. NO.2) (AT)	(B.V. AUTOM)		
B6BG-18-401A	2	(ILLUST. NO.2) (MT)	(B.V. MANU)		
66-991F		CONDENSER	CONDENSATEUR		
ZL01-66-991	1				

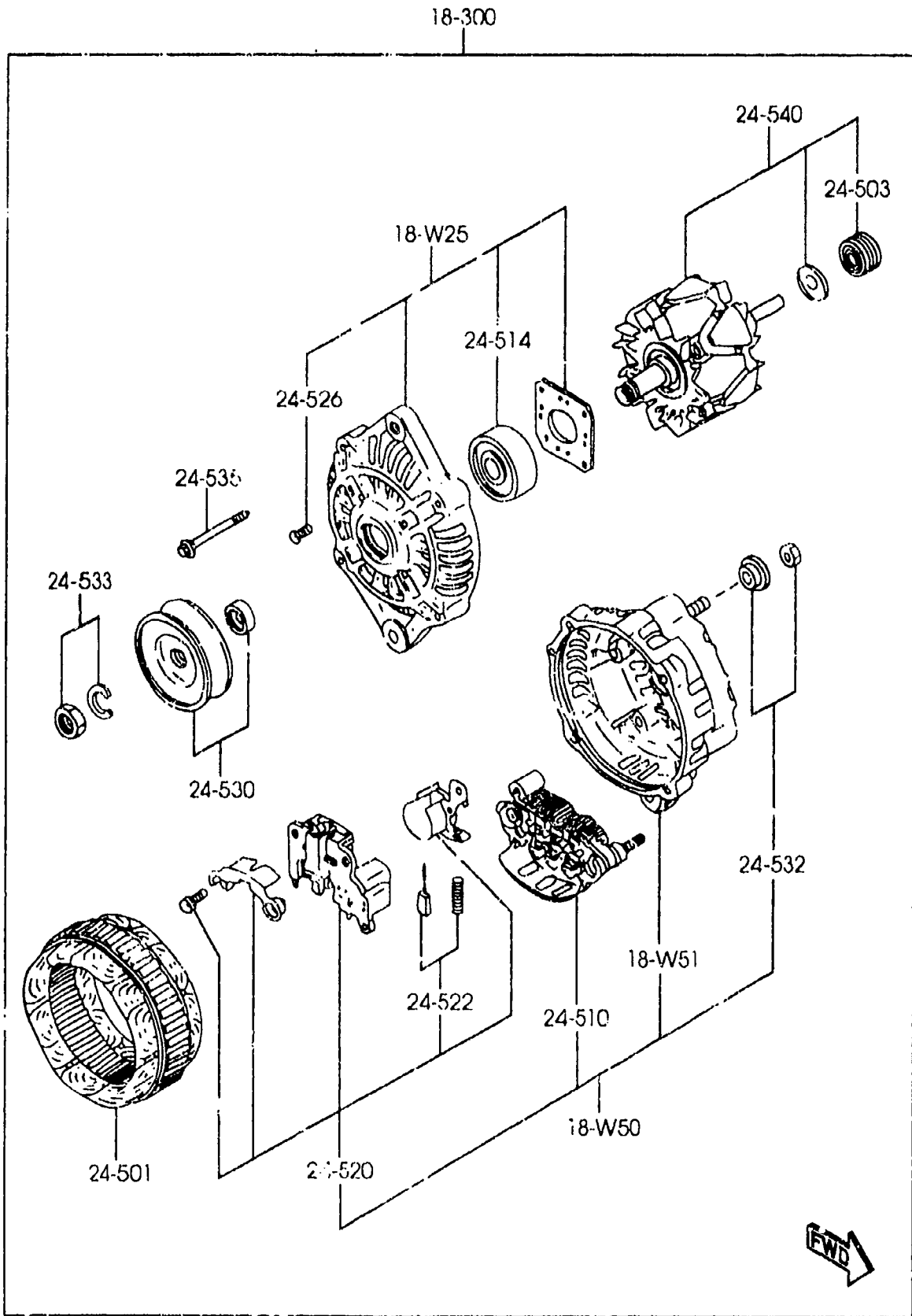
ALPAC

(2B53130)

CAT. AUBA09-02

2001-07

1830AA ALTERNATOR
(1600CC)

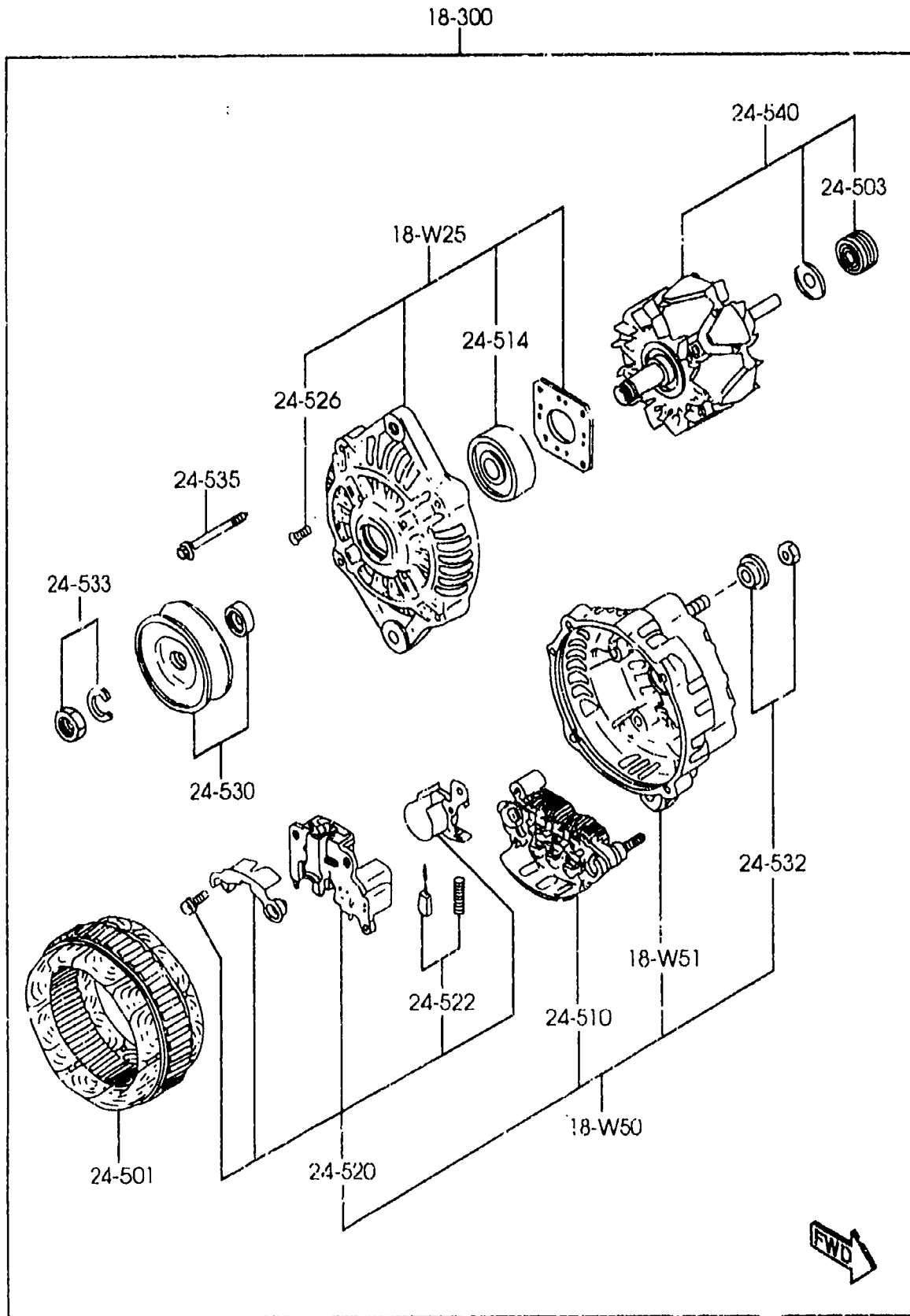


1830AA-1 ALTERNATOR
(1600CC)

PART NO.	QTY	MODEL/RESTRICTION	MODEL/RESTRICTION	MODEL/RESTRICTION	FROM-TO
18-W25	1	COVER, FRONT-ALTERNATOR	COUVERCLE, ALTERNATEUR AV.		
B5D8-18-W25A	1				
18-W50	1	COVER, REAR-ALTERNATOR	COUVERCLE, AR-ALTERNATEUR		
B5D8-18-W50	1				
18-W51	1	COVER, REAR-ALTERNATOR ARR	COUVERCLE, ALTERNATEUR ARR		
B5D8-18-W51	1				
18-300	1	ALTERNATOR	ALTERNATEUR		
Z599-18-300E	1				
24-501	1	STATOR	INDUIT FIXE		
JE15-18-W45	1				
24-503	1	BEARING, BALL-ALT. REAR	ROULEMENT A BILLES AR		
N336-18-W36	1				
24-510	1	RECTIFIER	REDRESSEUR		
Z599-18-W60	1				
24-514	1	BEARING, BALL-ALT. FRONT	ROULEMENT A BILLES ONT		
PN16-18-W27	1				
24-520	1	REGULATOR, VOLTAGE	REGULATEUR		
Z599-18-W70	1				
24-522	2	BRUSH	BALAIS		
B3C7-18-W77	2				
24-526	1	SCREW SET	JEU DE VIS		
RF71-18-W26	1				
24-530	1	PULLEY	POULIE		
B3C7-18-W10	1				
24-532	1	NUT SET	JEU D'ECROUS		
JE48-18-W83	1				
24-533	1	NUT SET	JEU D'ECROUS		
B3C7-18-W05	1				

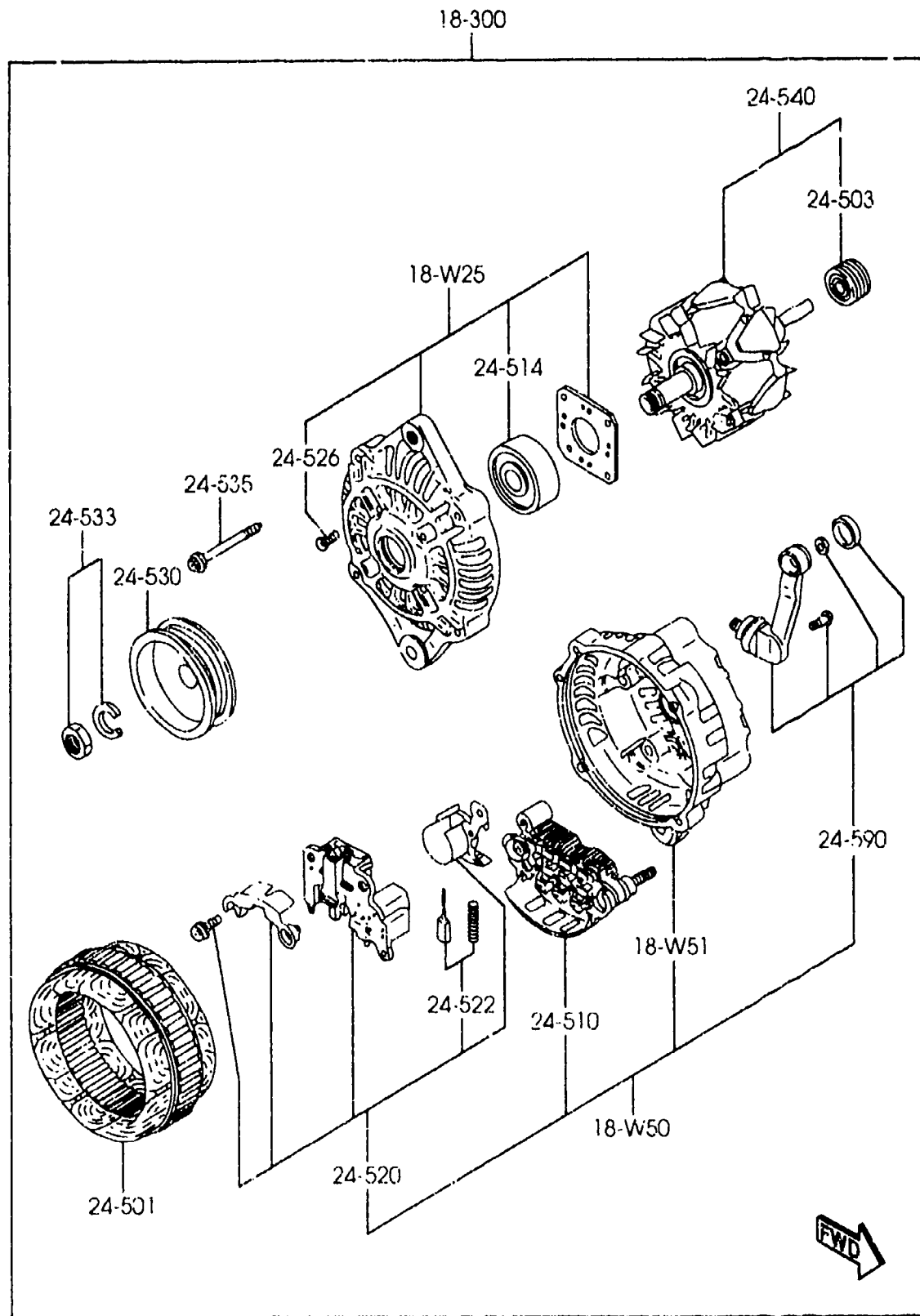
1830AA ALTERNATOR
(1600CC)

1830AA-2 * ALTERNATOR
(1600CC)



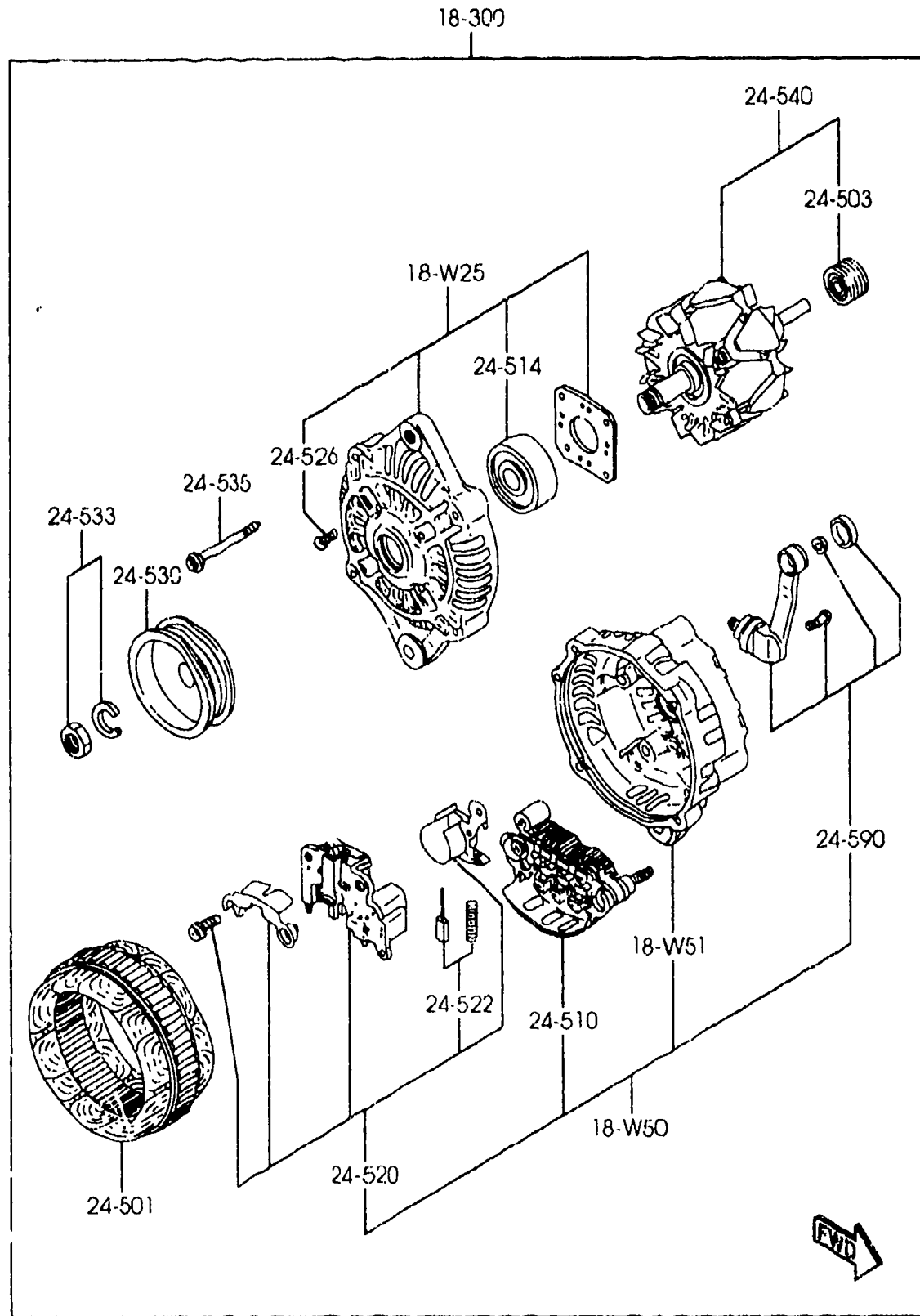
PART NO.	QTY	MODEL/RESTRICTION	MODEL/RESTRICTION	MODEL/RESTRICTION	FROM-TO
24-535		SCREW SET	JEU DE VIS		
RF71-18-U20	1				
24-540		ROTOR	ROTOR		
B5D8-18-W35	1				

1830AB ALTERNATOR
(2000CC)



1830AB-1 ALTERNATOR
(2000CC)

PART NO.	QTY	MODEL/RESTRICTION	MODEL/RESTRICTION	MODEL/RESTRICTION	FROM-TO
18-W25 FP34-18-W25	1	COVER,FRONT-ALTERNATOR	COUVERCLE,ALTERNATEUR AV.		
18-W50 FP34-18-W50A	1	COVER,REAR-ALTERNATOR	COUVERCLE,AR-ALTERNATEUR		
18-W51 FP34-18-W51	1	COVER,REAR-ALTERNATOR ARR	COUVERCLE,ALTERNATEUR ARR		
18-300 FP34-18-300C	1	ALTERNATOR	ALTERNATEUR		
24-501 JF07-18-W45	1	STATOR	INDUIT FIXE		
24-503 N336-18-W36	1	BEARING,BALL-ALT. REAR	ROULEMENT A BILLES AR		
24-510 FP34-18-W60	1	RECTIFIER	REDRESSEUR		
24-514 PM16-18-W27	1	BEARING,BALL-ALT. FRONT	ROULEMENT A BILLES ONT		
24-520 Z599-18-W70	1	REGULATOR,VOLTAGE	REGULATEUR		
24-522 B3C7-18-W77	2	BRUSH	BALAIS		
24-526 RF71-18-W26	1	SCREW SET	JEU DE VIS		
24-530 FS05-18-W11	1	PULLEY	POULIE		
24-533 B3C7-18-W05	1	NUT SET	JEU D'ECROUS		
24-535 RF71-18-W20	1	SCREW SET	JEU DE VIS		

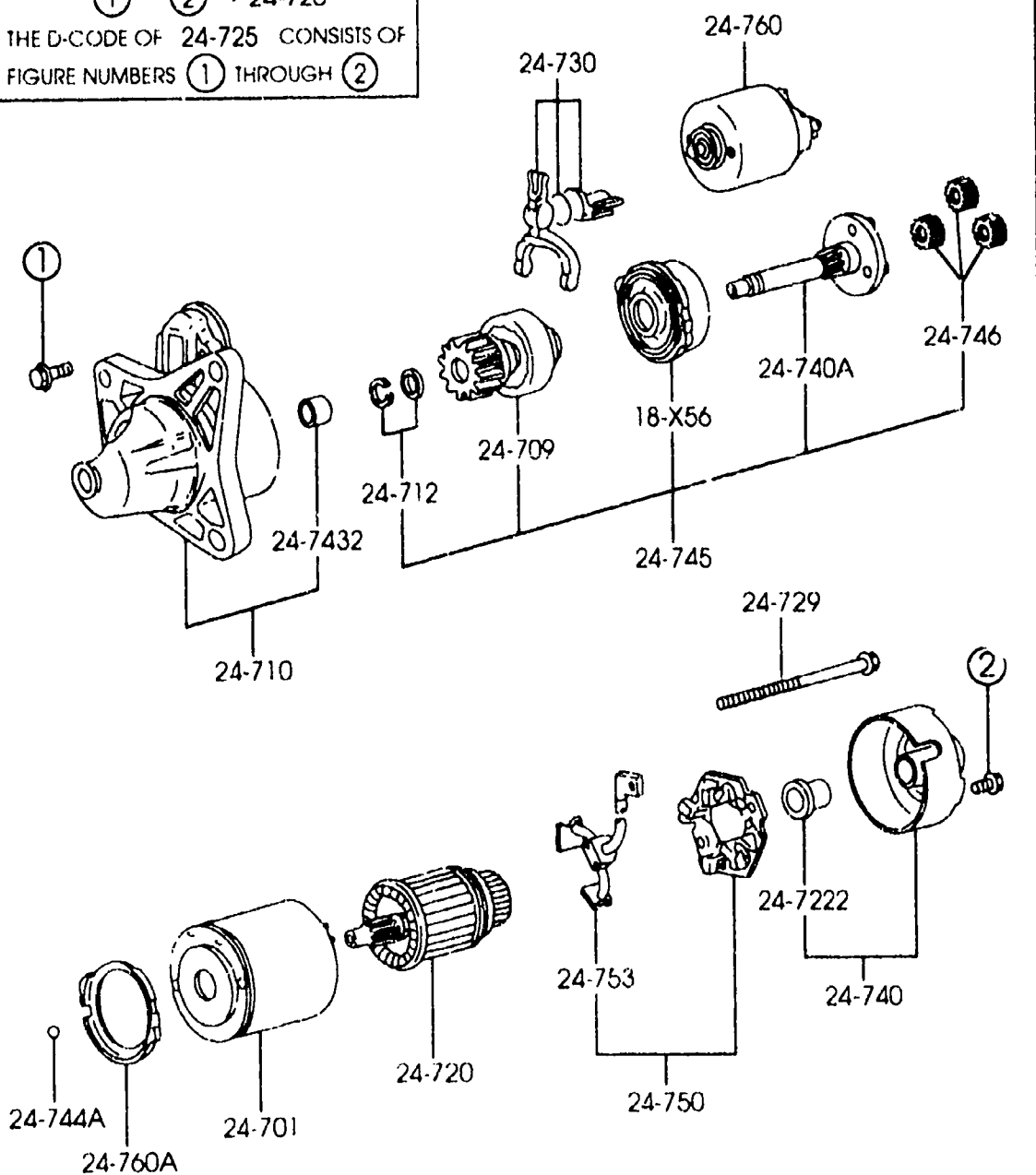


PART NO.	QTY	MODEL/RESTRICTION	MODEL/RESTRICTION	MODEL/RESTRICTION	FROM-TO
24-540		ROTOR	ROTOR		
FS2C-18-W35A	1				
24-590		TERMINAL SET	POLES		
FS05-18-W80	1				



18-400

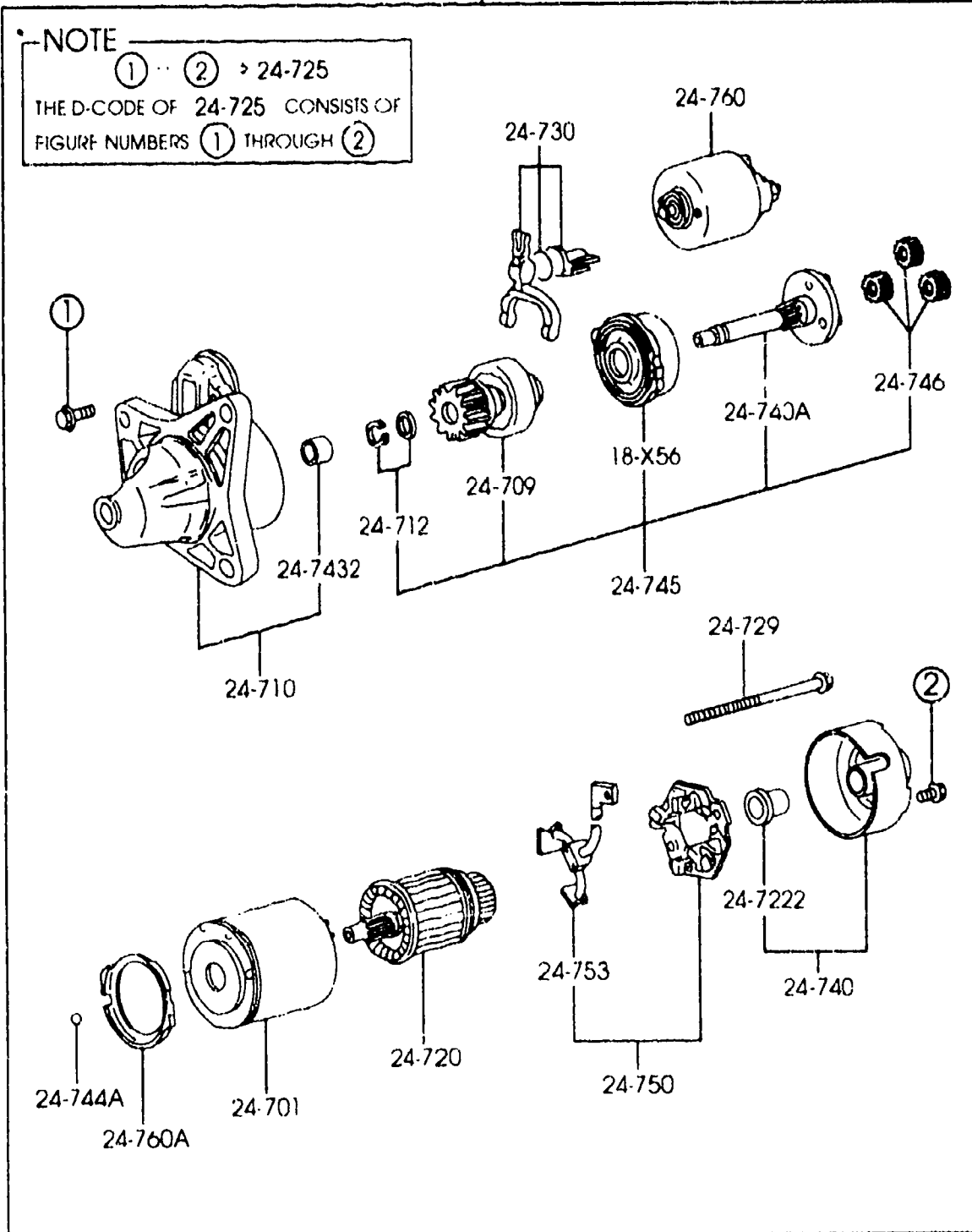
NOTE
① ... ② → 24-725
THE D-CODE OF 24-725 CONSISTS OF
FIGURE NUMBERS ① THROUGH ②



PART NO.	QTY	MODEL/RESTRICTION	MODEL/RESTRICTION	MODEL/RESTRICTION	FROM-TO
18-X56 FP13-18-X56	1	GEAR, INTERNAL-STARTER MITSUBISHI	ENGRENAGE, INTER.-DEM ARREU MITSUBISHI		
18-400 BPD4-18-400A	1	STARTER	DEMARREUR		
24-701 FP13-18-X65	1	YOKE MITSUBISHI	MANCHON MITSUBISHI		
24-709 BPD4-18-X25	1	PINION	PIGNON		
24-710 BPD4-18-X00	1	BRACKET, FRONT	ATTACHE, AV		
24-712 N326-18-X30	1	STOPPER SET MITSUBISHI	ARRETOIR, JEU MITSUBISHI		
24-720 BPD4-18-X60	1	ARMATURE MITSUBISHI	INDUIT MITSUBISHI		
24-722 N326-18-X62A	1	SLEEVE, BEARING-REAR MITSUBISHI	ROULEMENT MITSUBISHI		
24-725 E356-18-X95	1	SCREW SET MITSUBISHI	JEU DE VIS MITSUBISHI		
24-729 BPD4-18-X90	2	BOLT MITSUBISHI	BOULON MITSUBISHI		
24-730 BPD4-18-X05A	1	LEVER	LEVIER		
24-740 FP13-18-X80	1	BRACKET, REAR MITSUBISHI	ATTACHE, AR MITSUBISHI		



18-400

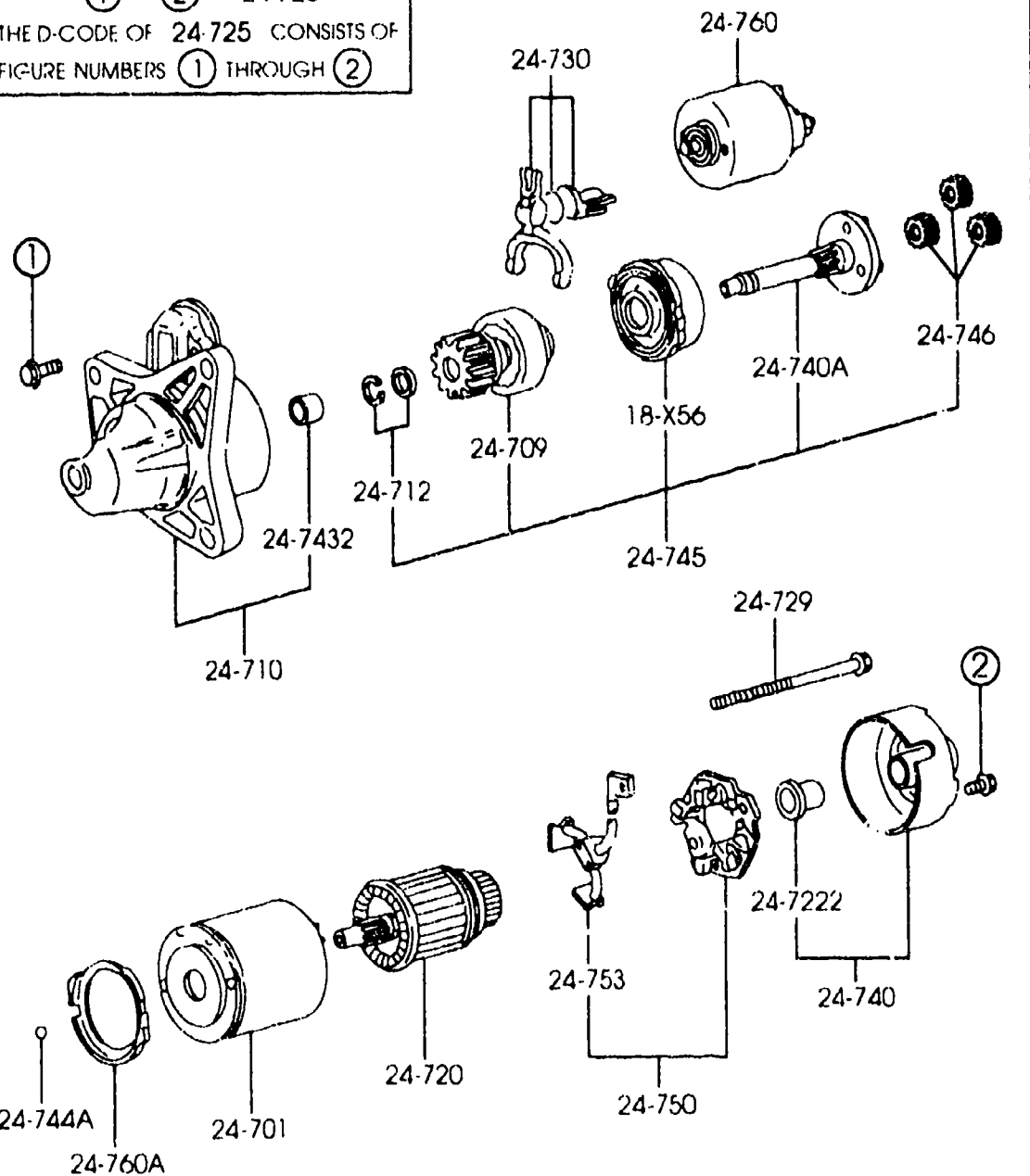


PART NO.	QTY	MODEL/RESTRICTION	MODEL/RESTRICTION	MODEL/RESTRICTION	FROM-TO
24-740A BPD4-18-X40	1	SHAFT MITSUBISHI	ARBRE MITSUBISHI		
24-7432 E356-18-X01	1	SLEEVE, BEARING-FRONT MITSUBISHI	ROULEMENT MITSUBISHI		
24-744A N326-18-X93	1	BALL, STEEL MITSUBISHI	BILLE D'ACIER MITSUBISHI		
24-745 BPD8-18-X20A	1	SHAFT, CLUTCH	ARBRE MOTEUR		
24-746 N326-18-X57	3	GEAR MITSUBISHI	PIGNON MITSUBISHI		
24-750 F2D4-18-X70	1	HOLDER, BRUSH	PORTE CHARBON		
24-753 F2D4-18-X66	1	BRUSH, YOKE	BALAIS, CULASSE DEM.		
24-760 BPD4-18-X10	1	SWITCH	COMMUTEUR		
24-760A FP13-18-X87	1	GASKET MITSUBISHI	JOINT MITSUBISHI		

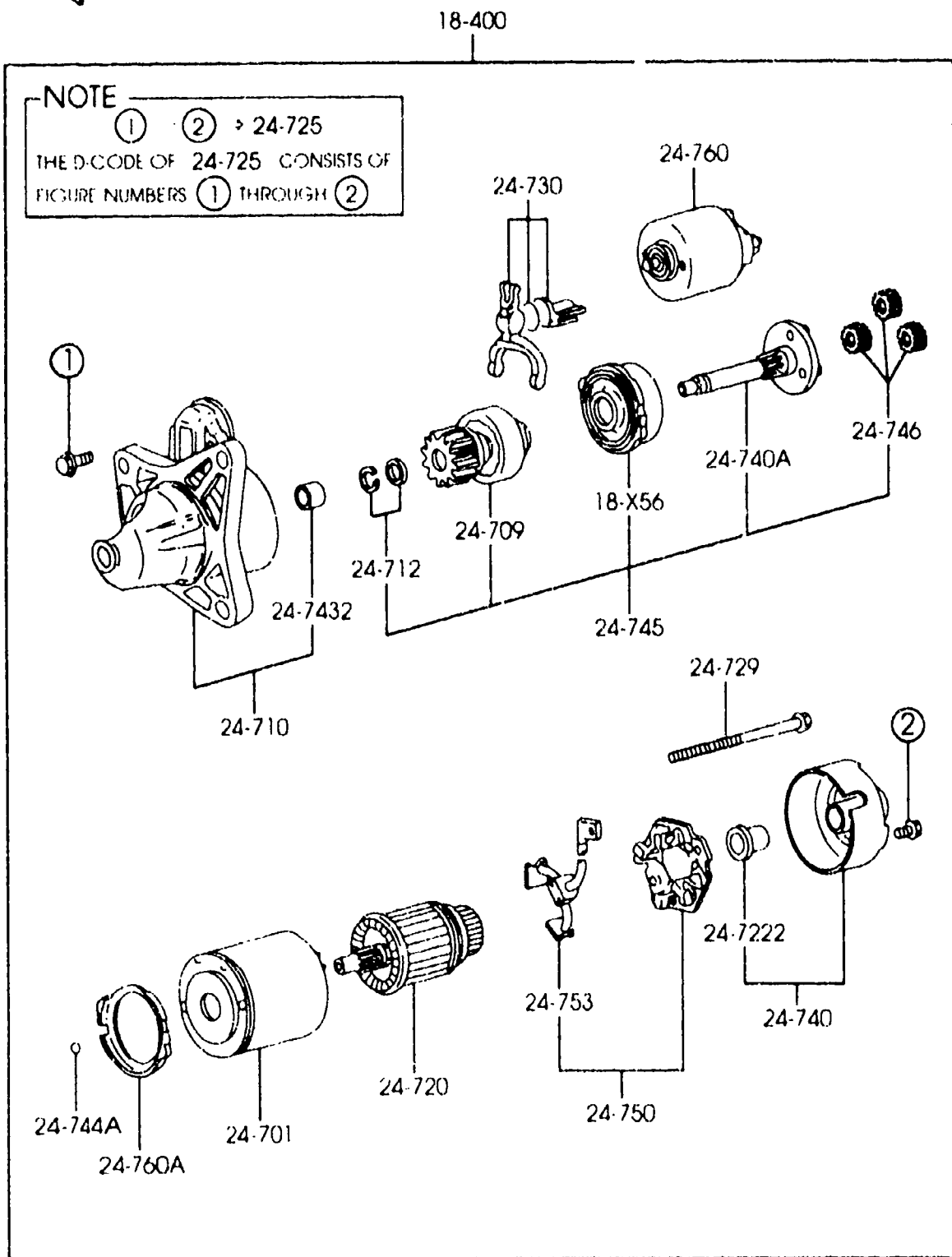


18-400

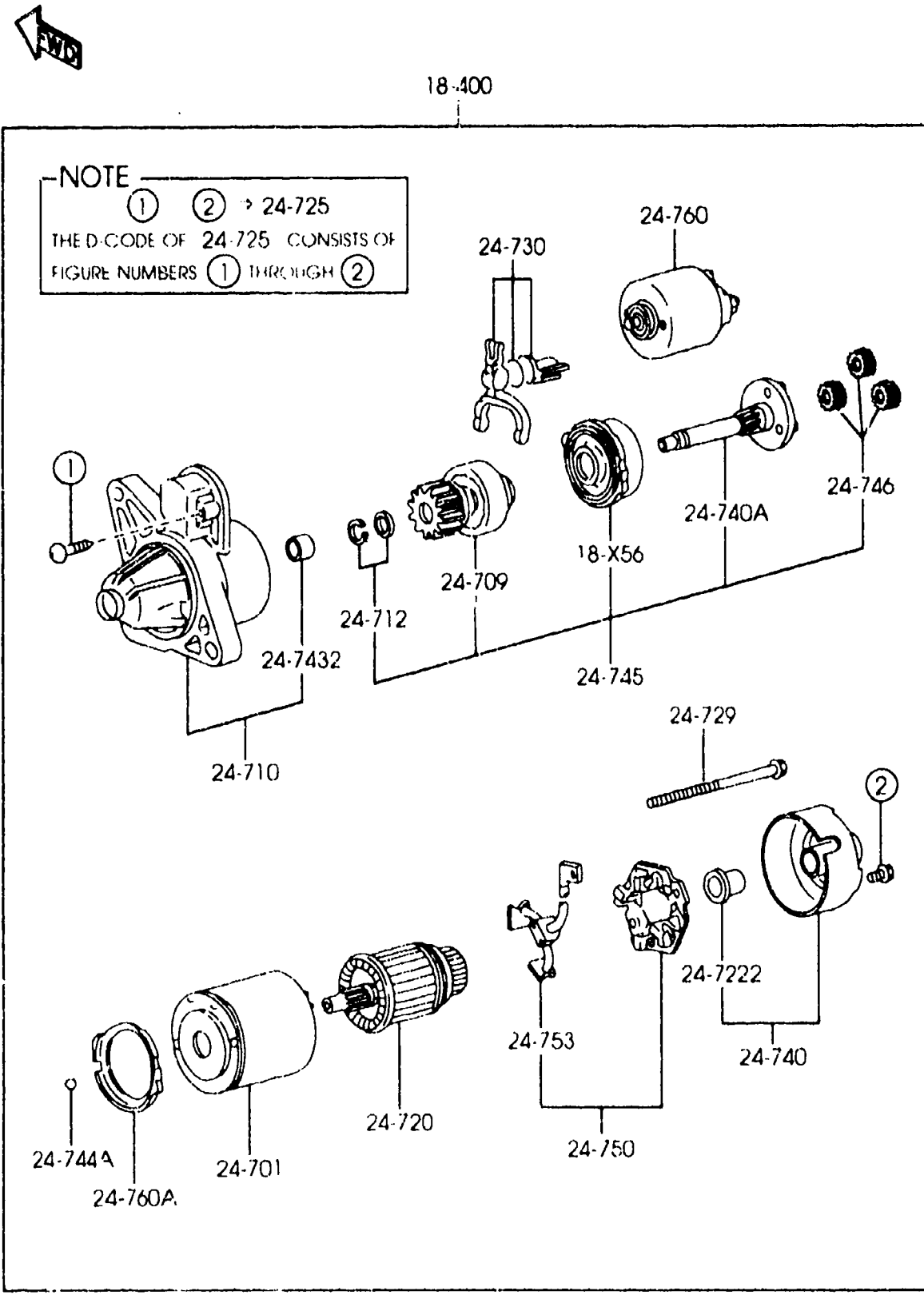
NOTE
① ... ② → 24-725
THE D-CODE OF 24-725 CONSISTS OF
FIGURE NUMBERS ① THROUGH ②



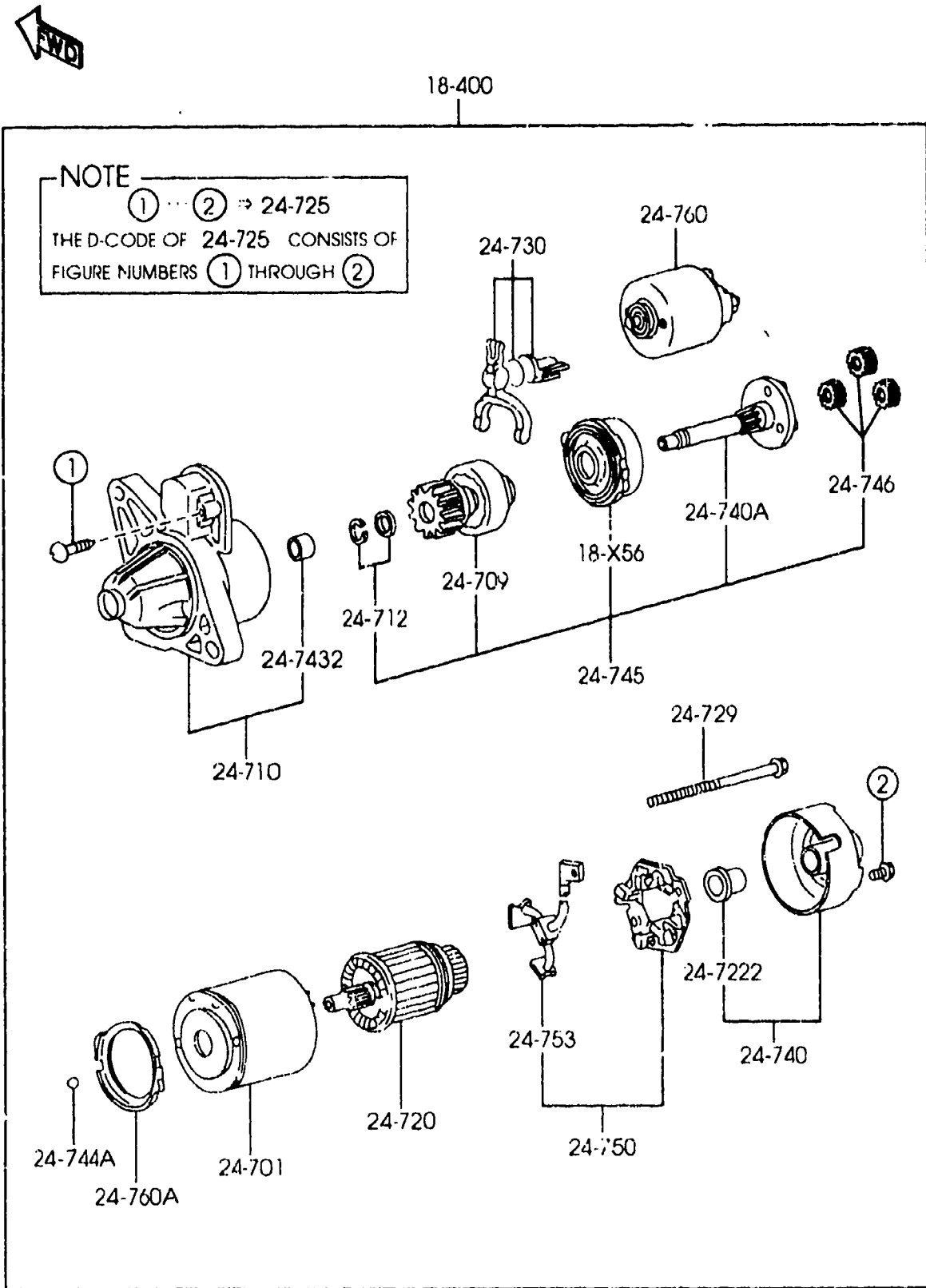
PART NO.	QTY	MODEL/RESTRICTION	MODIFI/RESTRICTION	MODIFI/RESTRICTION	FROM-TO
18-X56 FP13-18-X56	1	GEAR, INTERNAL-STARTER MITSUBISHI	ENGRENAGE, INTER.-DEM ARREU MITSUBISHI		
18-400 FP13-18-400	1	STARTER 12V 1.0KW MITSUBISHI	DEMARREUR 12V 1.0KW MITSUBISHI		
24-701 FP13-18-X65	1	YOKE MITSUBISHI	MANCHON MITSUBISHI		
24-709 F214-18-X25	1	PINION MITSUBISHI	PIGNON MITSUBISHI		
24-710 FP13-18-X00	1	BRACKET, FRONT MITSUBISHI	ATTACHE, AV MITSUBISHI		
24-712 N326-18-X30	1	STOPPER SET MITSUBISHI	ARRETOIR, JEU MITSUBISHI		
24-720 BPD4-18-X60	1	ARMATURE MITSUBISHI	INDUIT MITSUBISHI		
24-722 N326-18-X62A	1	SLEEVE, BEARING-REAR MITSUBISHI	ROULEMENT MITSUBISHI		
24-725 E356-18-X95	1	SCREW SET MITSUBISHI	JEU DE VIS MITSUBISHI		
24-729 BPD4-18-X90	2	BOLT MITSUBISHI	BOULON MITSUBISHI		
24-730 JEB3-18-X05	1	LEVER MITSUBISHI	LEVIER MITSUBISHI		
24-740		BRACKET, REAR	ATTACHE, AR		



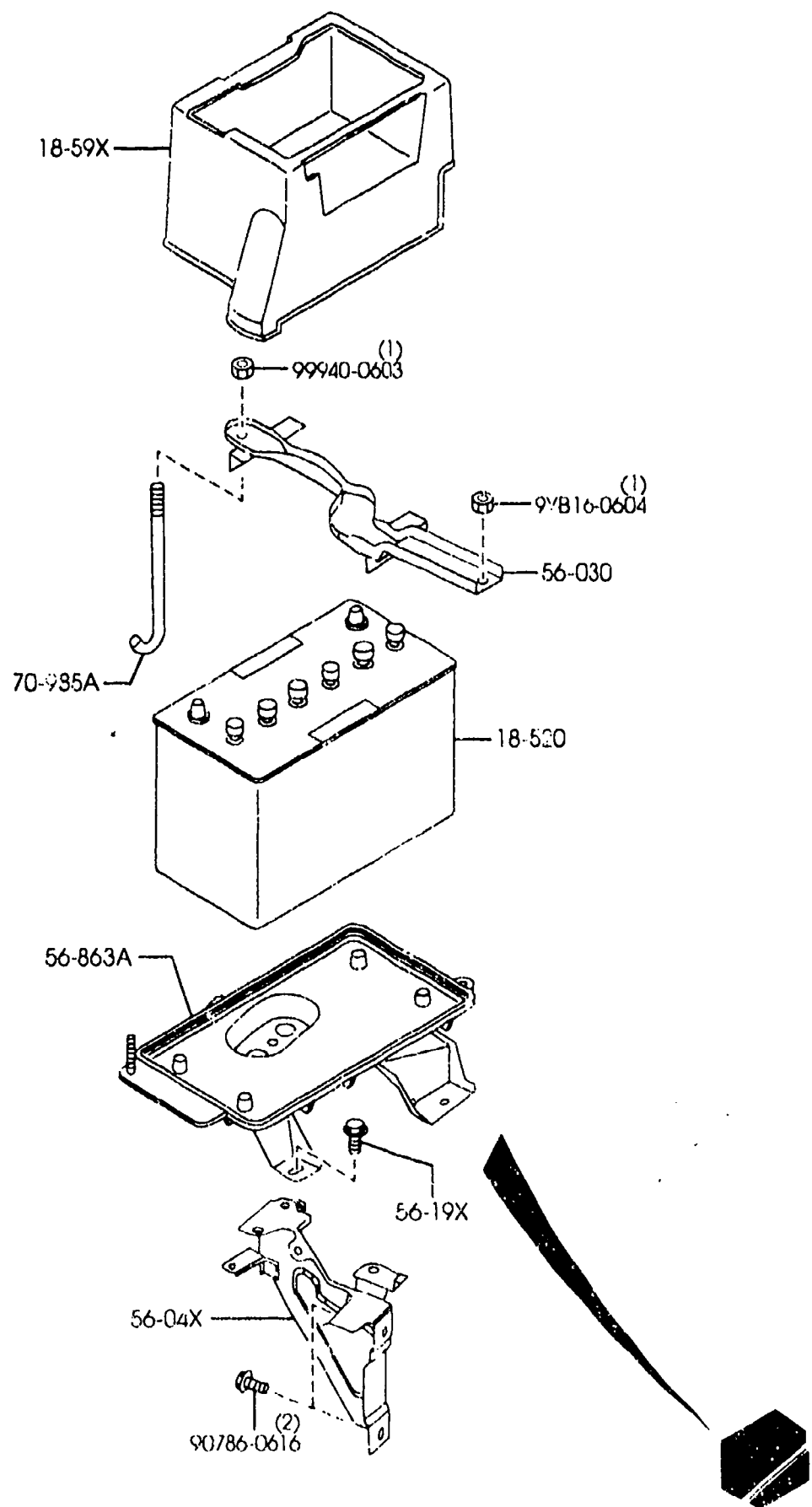
PART NO.	QTY	MODEL/RESTRICTION	MODEL/RESTRICTION	MODEL/RESTRICTION	FROM-TO
CONT'D FP13-18-X80	1	MITSUBISHI	MITSUBISHI		
↑-----↑ 24-740A ↑-----↑		SHAFT	ARBRE		
BPD4-18-X40	1	MITSUBISHI	MITSUBISHI		
↑-----↑ 24-7432 ↑-----↑		SLEEVE, BEARING-FRONT	ROULEMENT		
E356-18-X01	1	MITSUBISHI	MITSUBISHI		
↑-----↑ 24-744A ↑-----↑		BALL, STEEL	BILLE D'ACIER		
N326-18-X93	1	MITSUBISHI	MITSUBISHI		
↑-----↑ 24-745 ↑-----↑		SHAFT, CLUTCH	ARBRE MOTEUR		
FP13-18-X20	1	MITSUBISHI	MITSUBISHI		
↑-----↑ 24-746 ↑-----↑		GEAR	PIGNON		
N326-18-X57	3	MITSUBISHI	MITSUBISHI		
↑-----↑ 24-750 ↑-----↑		HOLDER, BRUSH	PORTE CHARBON		
JE49-18-X70	1	MITSUBISHI	MITSUBISHI		
↑-----↑ 24-753 ↑-----↑		BRUSH, YOKE	BALAIS, CULASSE DEM.		
JE49-18-X66	1	MITSUBISHI	MITSUBISHI		
↑-----↑ 24-760 ↑-----↑		SWITCH	COMMUTEUR		
FP13-18-X10	1	MITSUBISHI	MITSUBISHI		
↑-----↑ 24-760A ↑-----↑		GASKET	JOINT		
FP13-18-X87	1	MITSUBISHI	MITSUBISHI		



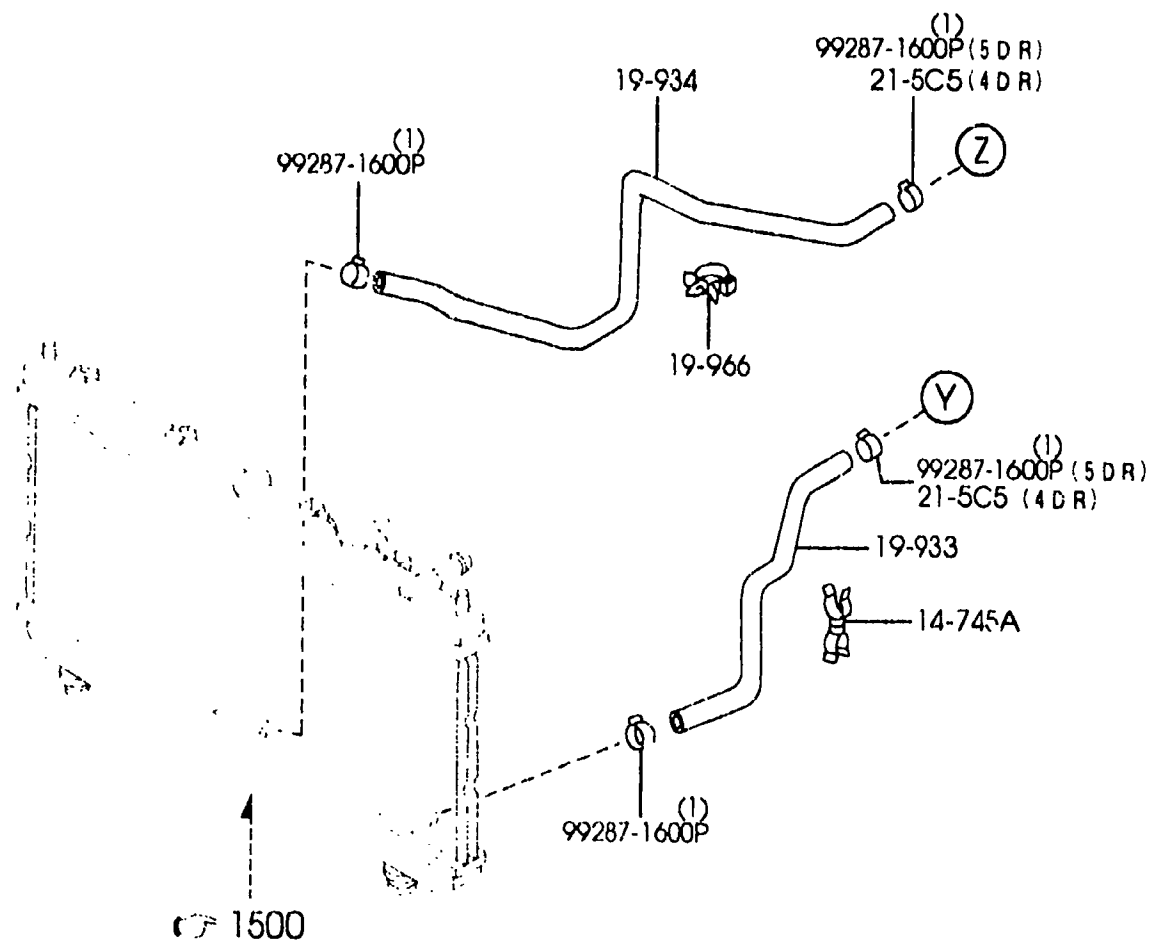
PART NO.	QTY	MODEL/RESTRICTION	MODEL/RESTRICTION	MODEL/RESTRICTION	FROM-TO
18-X56 FP13-18-X56	1	GEAR, INTERNAL-STARTER MITSUBISHI	ENGRENAGE, INTER.-DEM ARREU MITSUBISHI		
18-400 FP50-18-400	1	STARTER	DEMARREUR		
24-701 FP13-18-X65	1	YOKE MITSUBISHI	MANCHON MITSUBISHI		
24-709 AM15-18-X25	1	PINION	PIGNON		
24-710 FP50-18-X00	1	BRACKET, FRONT	ATTACHE, AV		
24-712 N326-18-X30	1	STOPPER SET MITSUBISHI	ARRETOIR, JEU MITSUBISHI		
24-720 BPD4-18-X60	1	ARMATURE MITSUBISHI	INDUIT MITSUBISHI		
24-722 N326-18-X62A	1	SLEEVE, BEARING-REAR MITSUBISHI	ROULEMENT MITSUBISHI		
24-725 E356-18-X95	1	SCREW SET MITSUBISHI	JEU DE VIS MITSUBISHI		
24-729 BPD4-18-X90	2	BOLT MITSUBISHI	BOULON MITSUBISHI		
24-730 JEB3-18-X05	1	LEVER MITSUBISHI	LEVIER MITSUBISHI		
24-740 FP13-18-X80	1	BRACKET, REAR MITSUBISHI	ATTACHE, AR MITSUBISHI		



PART NO.	QTY	MODEL/RESTRICTION	MODIFI/RESTRICTION	MODEL/RESTRICTION	FROM-TO
24-740A BPD4-18-X40	1	SHAFT MITSUBISHI	ARBRE MITSUBISHI		
24-7432 E356-10-X01	1	SLEEVE, BEARING-FRONT MITSUBISHI	ROULEMENT MITSUBISHI		
24-744A N326-18-X93	1	BALL, STEEL MITSUBISHI	BILLE D'ACIER MITSUBISHI		
24-745 FP50-18-X20	1	SHAFT, CLUTCH	ARBRE MOTEUR		
24-746 N326-18-X57	3	GEAR MITSUBISHI	PIGNON MITSUBISHI		
24-750 JE49-18-X70	1	HOLDER, BRUSH MITSUBISHI	PORTE CHARBON MITSUBISHI		
24-753 JE49-18-X66	1	BRUSH, YOKE MITSUBISHI	BALAIS, CULASSE DEM. MITSUBISHI		
24-760 FP13-18-X10	1	SWITCH MITSUBISHI	COMMUTEUR MITSUBISHI		
24-760A FP13-18-X87	1	GASKET MITSUBISHI	JOINT MITSUBISHI		



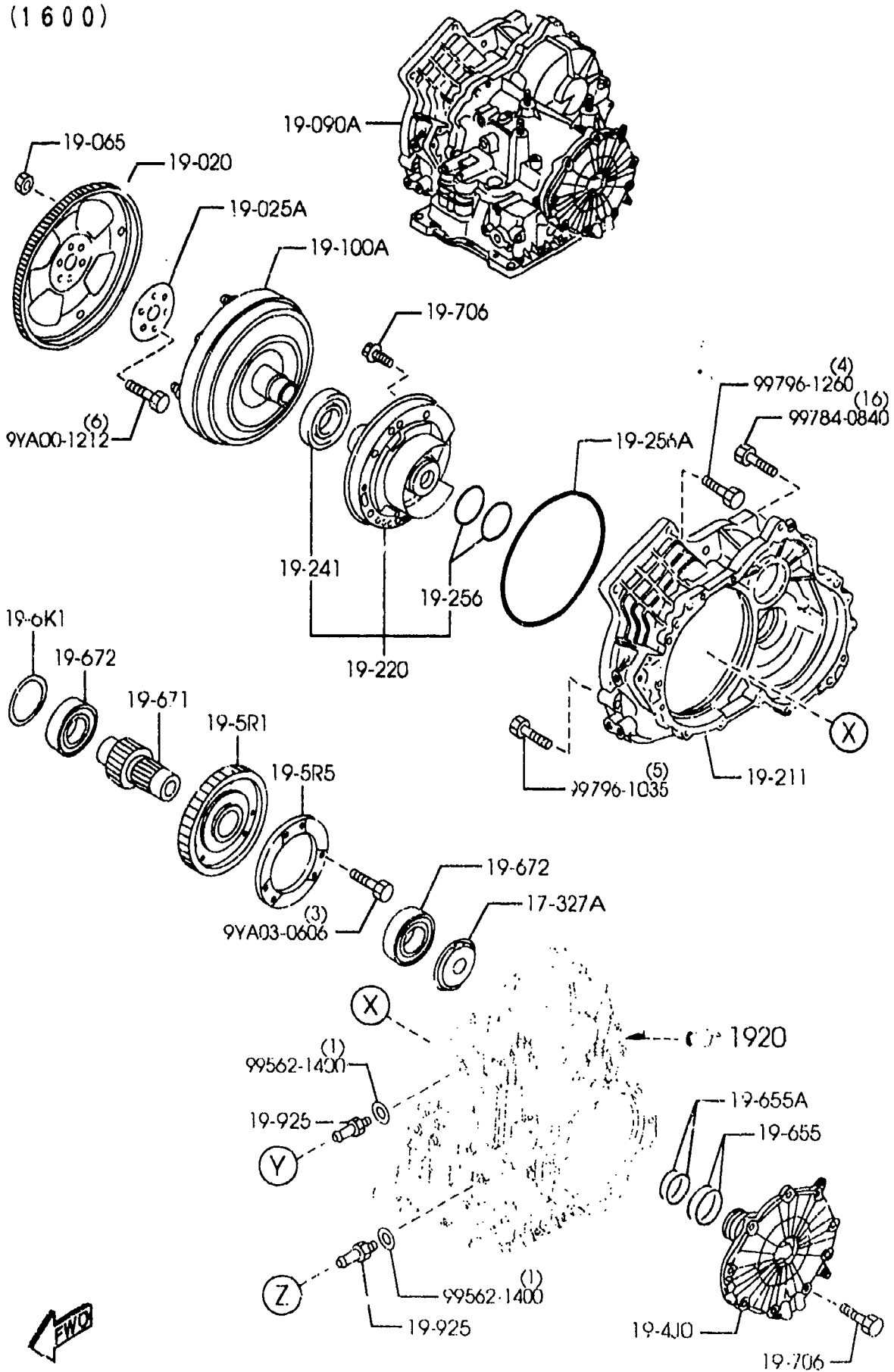
PART NO.	QTY	MODEL/RESTRICTION	MODEL/RESTRICTION	MODEL/RESTRICTION	FROM-TO
18-520	1	BATTERY	BATTERIE		
E564-18-520B	1	50D20L GS (SUPPLIER IN SELECTION)	50D20L GS		
F220-18-520E	1	50D20L PANASONIC (SUPPLIER IN SELECTION)	50D20L PANASONIC		
KF03-18-520A	1	75D23L GS (SUPPLIER IN SELECTION) (2000)	75D23L GS (2000)		
KJ01-18-520A	1	75D23L PANASONIC (SUPPLIER IN SELECTION) (2000)	75D23L PANASONIC (2000)		
18-59X	1	BOX, BATTERY	BOITE, BATTERIE		
868F-18-59X	1				
56-030	1	CLAMP, BATTERY	CORNIERE DE BATTERIE		
B26H-56-03XD	1				
56-04X	1	STAY, BATTERY CARRIER	SUPPORT, PORTEUR BATTERIE.		
B25D-56-04YA	1				
56-19X	4	BOLT, SPLASH SHIELD	BOULON, GARDE-BOUE		
FB01-56-19XA	4				
56-863A	1	TRAY, BATTERY	BAC, SUPPORT BATTERIE		
B26E-56-041B	1				
70-985A	1	BOLT, CLAMP	BOULON, CRAMPON		
0223-54-225	1				



1910A AUTOMATIC TRANSMISSION TORQUE CONVERTER,
OIL PUMP & PIPINGS

(1,3)

(1600)



AUBA09

(2B59111)

1910A-1 AUTOMATIC TRANSMISSION TORQUE CONVERTER, OIL PUMP & PIPINGS

PART NO.	QTY	MODEL/RESTRICTION	MODEL/RESTRICTION	MODEL/RESTRICTION	FROM-TO
14-745A		CLIP, OIL PIPE	ATTACHE, CONDUIT D'HUI		
R226-14-836	1				
17-327A		FUNNEL	ENTGNNOIR		
FN11-17-327	1				
19-020		PLATE, DRIVE	DISQUE, BOITE AUTOM.		
FN12-19-020A	1	KANDA MAKE (1600)	KANDA MAKE (1600)		
FN41-19-020B A (FN41-19-020C)	1	(2000)	(2000)		-1201
FN41-19-020C	1	(2000)	(2000)		1201-
19-025A		ADAPTER, DRIVE PLATE	ADAPTEUR		
FA01-19-025	1	SUMINO INDUSTRY (1600)	SUMINO INDUSTRY (1600)		
GF01-19-025	1	(2000)	(2000)		
19-065		NUT	ECROU		
FU51-19-065	4				
19-090A		T/MISSION CPT.	TRANSMISSION COMPLETE		
FDA4-19-090A A (FDA4-19-090C)	1	(2000)	(2000)		-1701
FD31-19-090 A (FD31-19-090b)	1	(1600)	(1600)		-1701
*FDA4-19-090C	1	(2000)	(2000)		1701-
*FD31-19-090B	1	(1600)	(1600)		1701-
19-100A		CONVERTER, TORQUE	COUPLEUR		
FNA1-19-100	1	(2000)	(2000)		
FN11-19-100A	1	(1600)	(1600)		
19-211		HOUSING, CONVERTER	CARTER DE CONVERTISSEUR		
FN11-19-231C	1	(1600)	(1600)		
FN41-19-231C	1	(2000)	(2000)		
19-220		PUMP, OIL	POMPE A HUILE		
FN11-19-70XB	1				
19-241		SEAL, OIL	JOINT, POMPE HUILE		

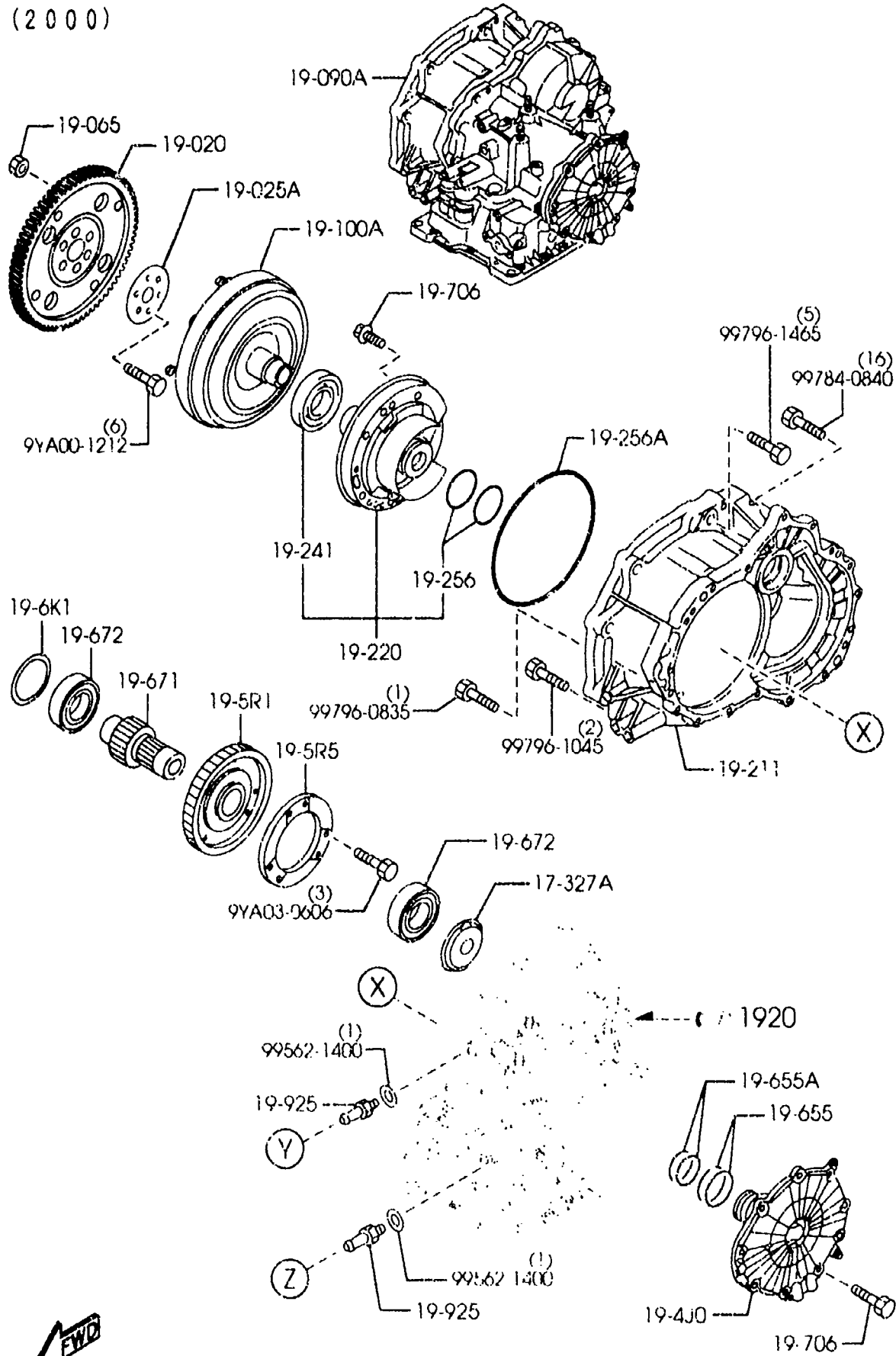
1201 BJ22* -430345
1701 BJ22* -493151

CAT. AUBA09-02

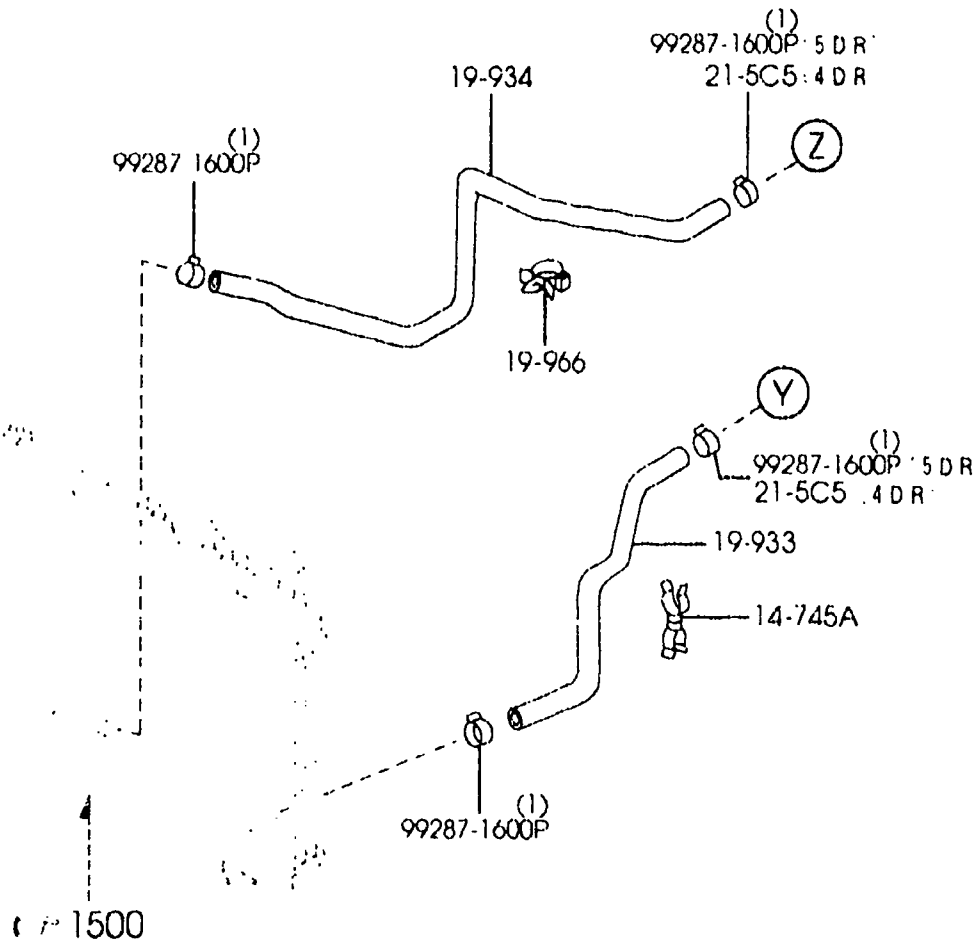
2001-07

1-N11

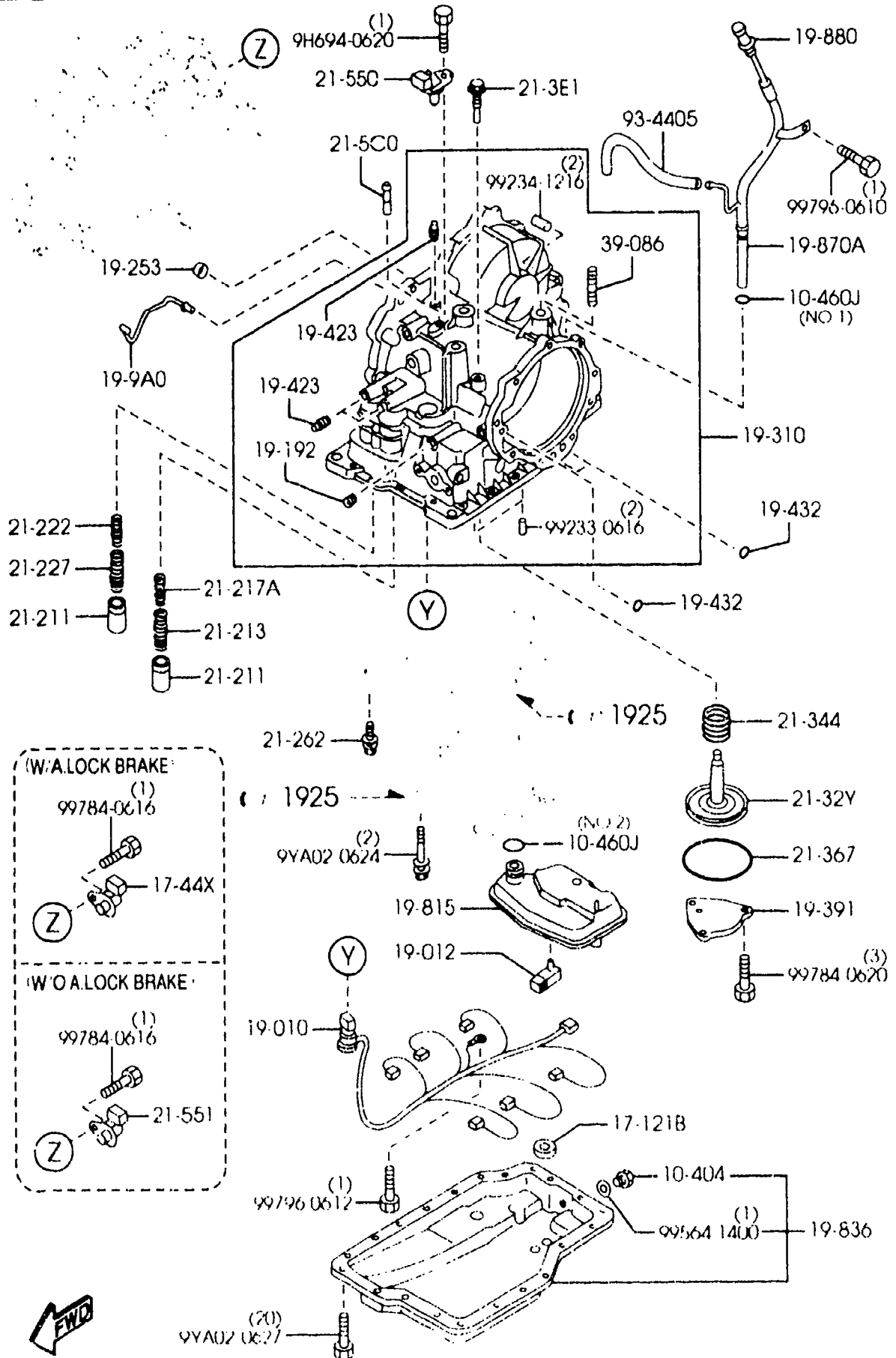
(2000)



PART NO	QTY	MODEL/RESTRICTION	MODEL/RESTRICTION	MODEL/RESTRICTION	FROM-TO
CONT'D FN11-19-241	1				
+-----+ 19-256 +-----+		RING, SEAL	CERCLE ETANCHE		
FN01-19-212	2				
+-----+ 19-256A +-----+		RING, SEAL	BAGUE D'ETANCHEITE		
FN01-19-242	1				
+-----+ 19-4J0 +-----+		COVER, END	COUVERCLE, BOITIER DI RECT.		-1701
FN11-19-4J0A A (FN11-19-4J0B)	1				
*FN11-19-4J0B	1				1701-
+-----+ 5R1 +-----+		GEAR, SECOND	ENGRENAGE, SECOND		
+-----+ 5R0C +-----+					
FN11-19-5R5B	1				
+-----+ 19-5R5 +-----+		RING	CERCLE		
FN11-19-5R5B	1				
+-----+ 19-6K1 +-----+		SHIM, OUTPUT GEAR	CALE EPAISS, .ENGREN. MENA		
FN11-19-6K1	1	T=0.5MM	T=0.5MM		
FN11-19-6K2	1	T=0.55MM	T=0.55MM		
FN11-19-6K3	1	T=0.6MM	T=0.6MM		
FN11-19-6K4	1	T=0.65MM	T=0.65MM		
FN11-19-6K5	1	T=0.7MM	T=0.7MM		
FN11-19-6K6	1	T=0.75MM	T=0.75MM		
FN11-19-6K7	1	T=0.8MM	T=0.8MM		
FN11-19-6K8	1	T=0.85MM	T=0.85MM		
FN11-19-6K9	1	T=0.9MM	T=0.9MM		
FN11-19-6L1	1	T=0.95MM	T=0.95MM		
FN11-19-6L2	1	T=1MM	T=1MM		
FN11-19-6L3	1	T=1.05MM	T=1.05MM		
1701 BJ22* -493151					



PART NO.	QTY	MODEL/RESTRICTION	MODEL/RESTRICTION	MODEL/RESTRICTION	FROM-TO
CONT'D					
FN11-19-6L4	1	T=1.1MM	T=1.1MM		
FN11-19-6L5	1	T=1.15MM	T=1.15MM		
FN11-19-6L6	1	T=1.2MM	T=.2MM		
FN11-19-6L7	1	T=1.25MM	T=1.25MM		
FN11-19-6L8	1	T=1.3MM	T=1.3MM		
19-655	2	RING, SEAL	CERCLE ETANCHE		
FN01-19-655	2				
19-655A	2	RING, SEAL	CERCLE ETANCHE		
FN11-19-762	2				
19-671	1	GEAR, OUTPUT	PIGNON DE SORTIE		
FN31-19-671F	1				
19-672	2	BEARING, ROLLER	ROULEMENT		
FN11-19-680	2				
19-706	16	BOLT	BOULON		
FU01-19-706B	16				
19-925	2	BOLT, CONNECTOR	BOULON DE RACCORD		
FX01-19-925	2				
19-933	1	HOSE, OIL	FLEXIB. D'HUILE		
FN12-19-933A	1				
19-934	1	HOSE, OIL	FLEXIB. D'HUILE		
FN12-19-934A	1				
19-966	1	CLAMP, HOSE	COLLIER DE SERRAGE		
EA01-19-985	1				
21-5C5	2	CLIP, HOSE	COLLIER, TUYAU FLEXIB (E (4PRTS)		
FT96-21-5C5	2 (4DR)				



PART NO.	QTY	MODEL/RESTRICTION	MODEL/RESTRICTION	MODEL/RESTRICTION	FROM-TO
10-404		PLUG, DRAIN	BOUCHON DE VIDANGE		
HE03-10-404	1				
10-460J		RING, 'O'	JOINT 'O'		
99541-01201	1	(ILLUST. NO.1)			
99541-02206	1	(ILLUST. NO.2)			
17-121B		MAGNET	AIMANT		
F401-17-121	1				
17-44X		COVER, HOLE	COUVERCLE, TROU		
FNC1-17-44XA	1	(W/A. LOCK BRAKE)	(SYST ANTIBLOC)		
19-010		HARNNESS, SOLENOID	COUPLEUR		
FN01-19-010A	1				-1201
A (FN21-19-010)					
FN21-19-010	1				1201-
19-012		SENSOR, OIL TEMP	CAPTEUR, TEMPERAT. HUILE		
FN01-19-012	1	KEYSTONE THERMOMETRI	KEYSTONE THERMOMETRI		-1201
A (FN21-19-010)					
19-192		PLUG, CONV. HOUSING	FICHE, BOITE CONVERTISSEUR		
FU60-19-192A	1				
19-253		PLUG, OIL CHECK	FICHE, CONTROLE HUILE		
FN01-19-253	1				
19-310		CASE, T/MISSION	BOITIER, TRANSMISSION		
FN11-19-420L	1				
19-391		RETAINER, SERVO	SUPPORT DE SERVO		
FN01-21-331	1				
19-423		PLUG	BOUCHON		
FU31-19-423	3				
19-432		RING, 'O'	JOINT 'O'		
FN01-19-432	3				
19-815		STRAINER, OIL	TAMIS D'HUILE		

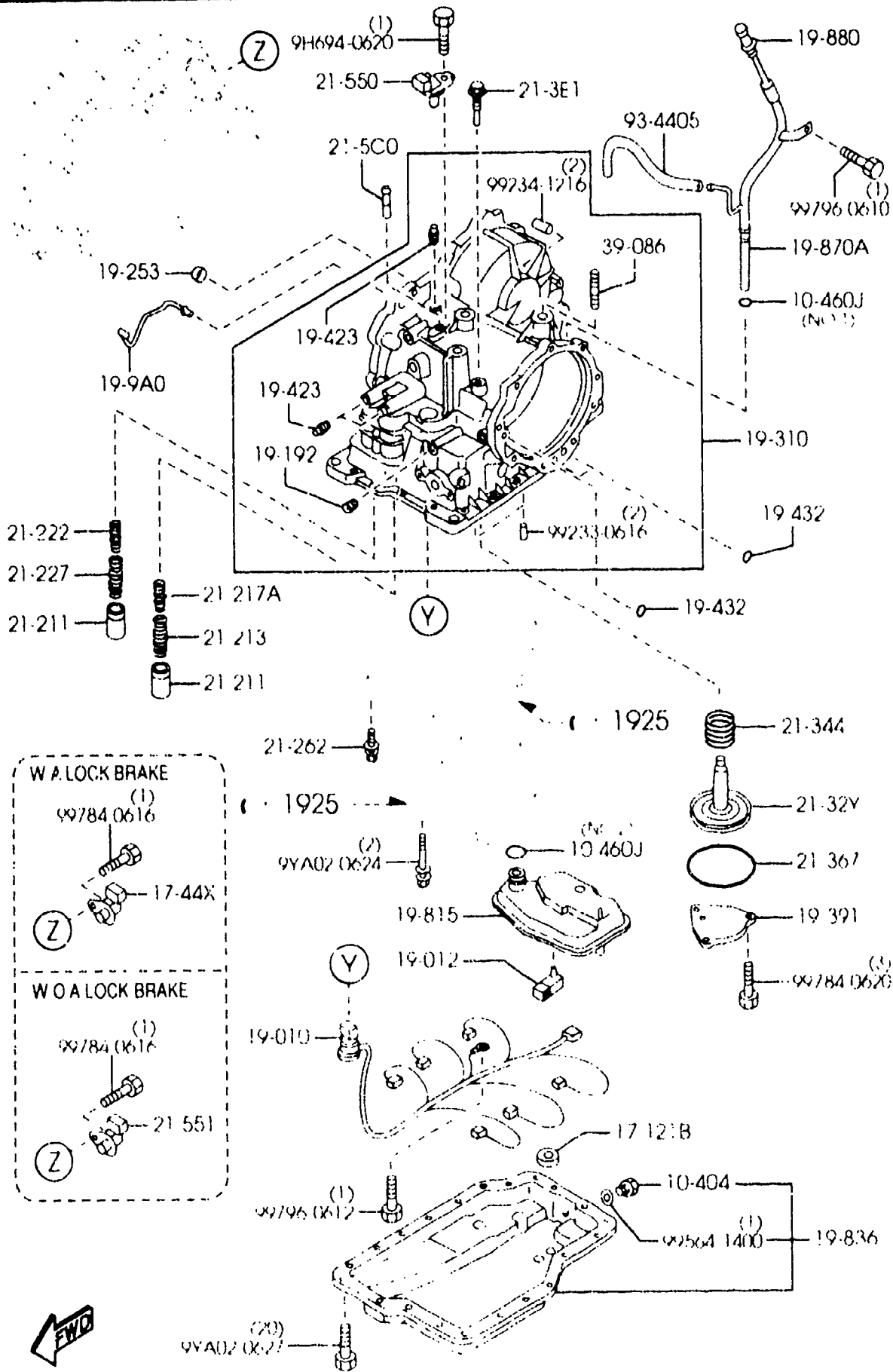
1201 BJ22* -430345

AUBA09

(2B65910)

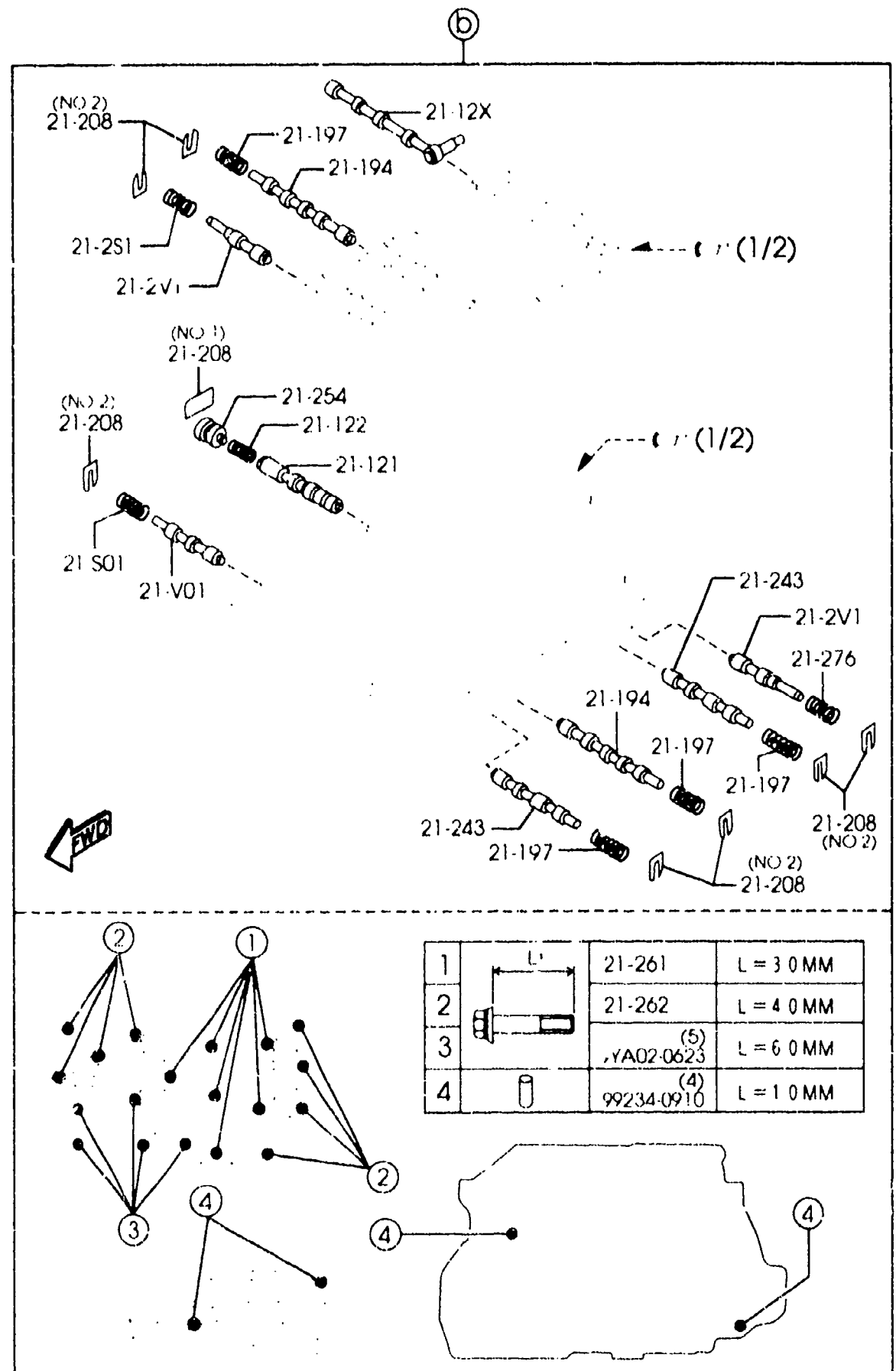
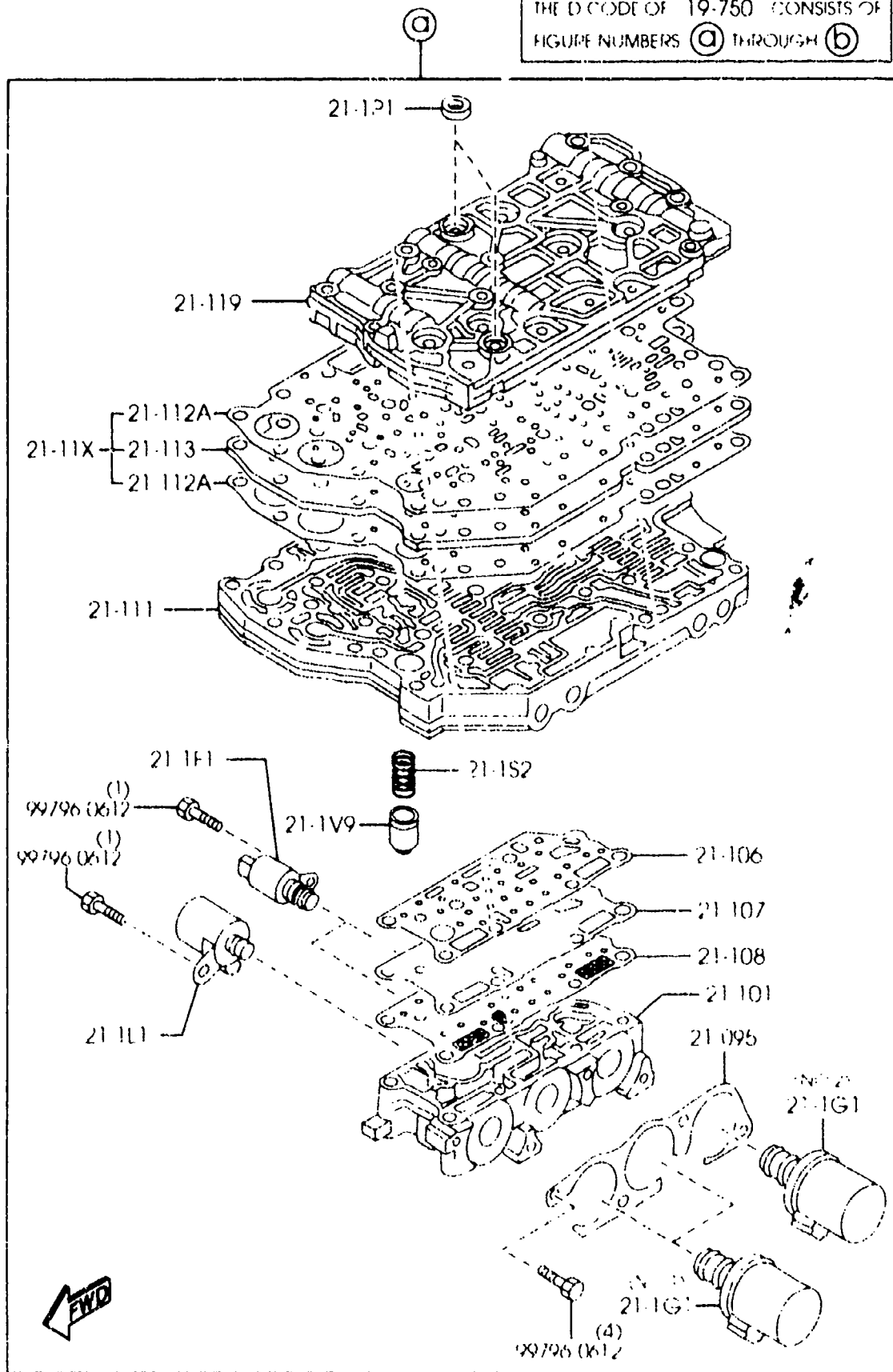
CAT. AUBA09-02

2001-07

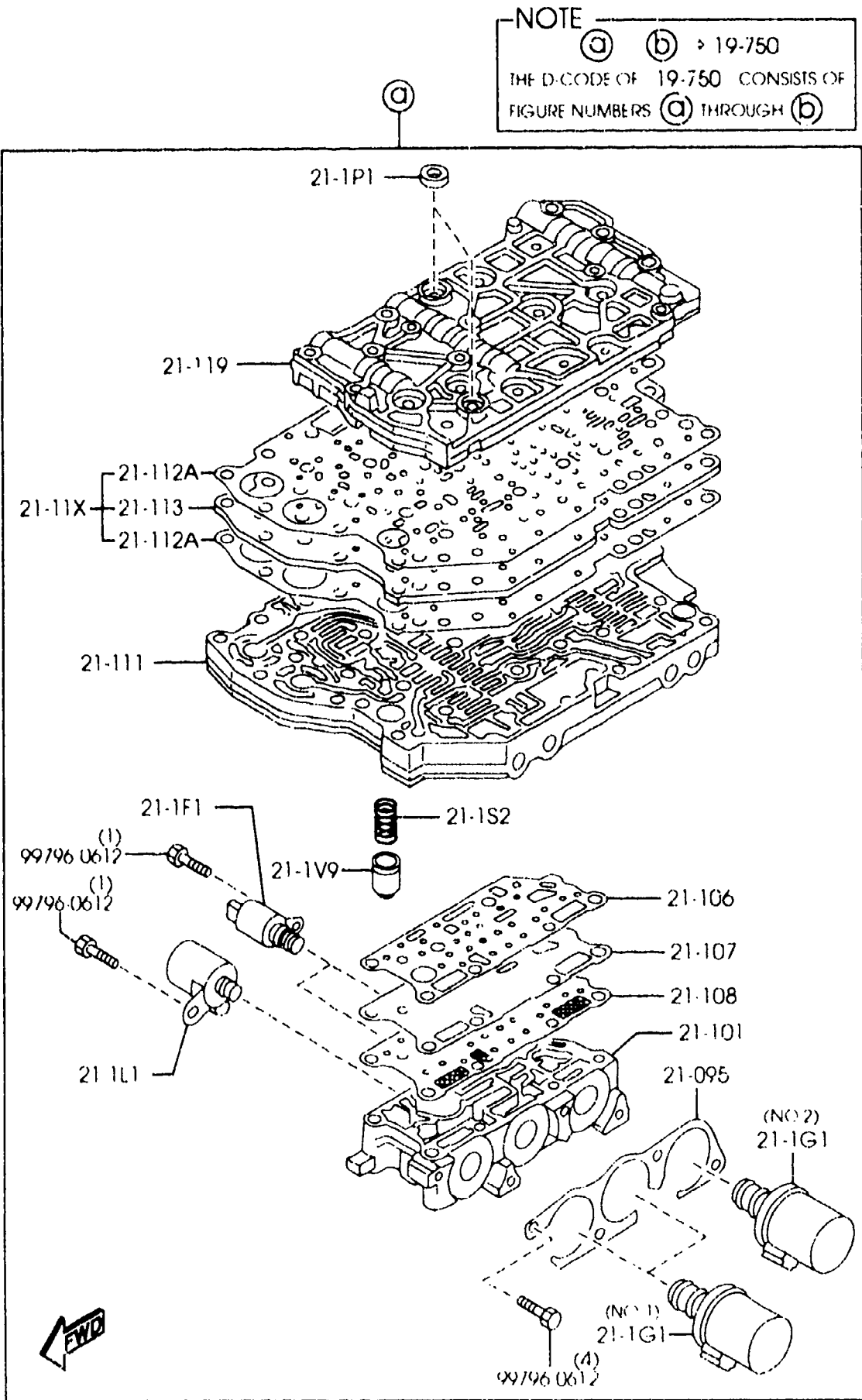


PART NO	QTY	MODEL/RESTRICTION	MODEL/RESTRICTION	MODEL/RESTRICTION	FROM-TO
CONT'D					
FN01-21-3E4	1	L=37.5MM	L=37.5MM		
FN01-21-3E5	1	L=38.0MM	L=38.0MM		
FN01-21-3E6	1	L=38.5MM	L=38.5MM		
FN01-21-3E7	1	L=39.0MM	L=39.0MM		
21-32Y		PISTON, SERVO	PISTON, SERVO		
FN11-21-32Y	1				
21-344		SPRING, RETURN-SERVO	RESSORT, RAPPEL,		
FN01-21-344	1				
21-367		SEAL, O-RING	JOINT TORIQUE,		
FN01-21-342	1				
21-5C0		BREATHER	RENIFLARD		
FW02-21-5C1	1				
21-550		GENERATOR, PULSE	GENERATEUR, PULSATION S		
FN01-21-550	1				
21-551		SENSOR, SPEED	GENERATEUR, ARRET		
FN11-21-551	1	(W/O A. LOCK BRAKE)	(S/SYST ANTIBLOC)		
39-086		BOLT, STLD	BOULON		
8455-39-086B	3				
93-4405		HOSE	FLEXIBLE ESSENCE		
99340-05290	1	(2000)	(2000)		
99344-05150	1	L=15M CUT IT TO USE (1600)	L=15M CUT IT TO USE (1600)		

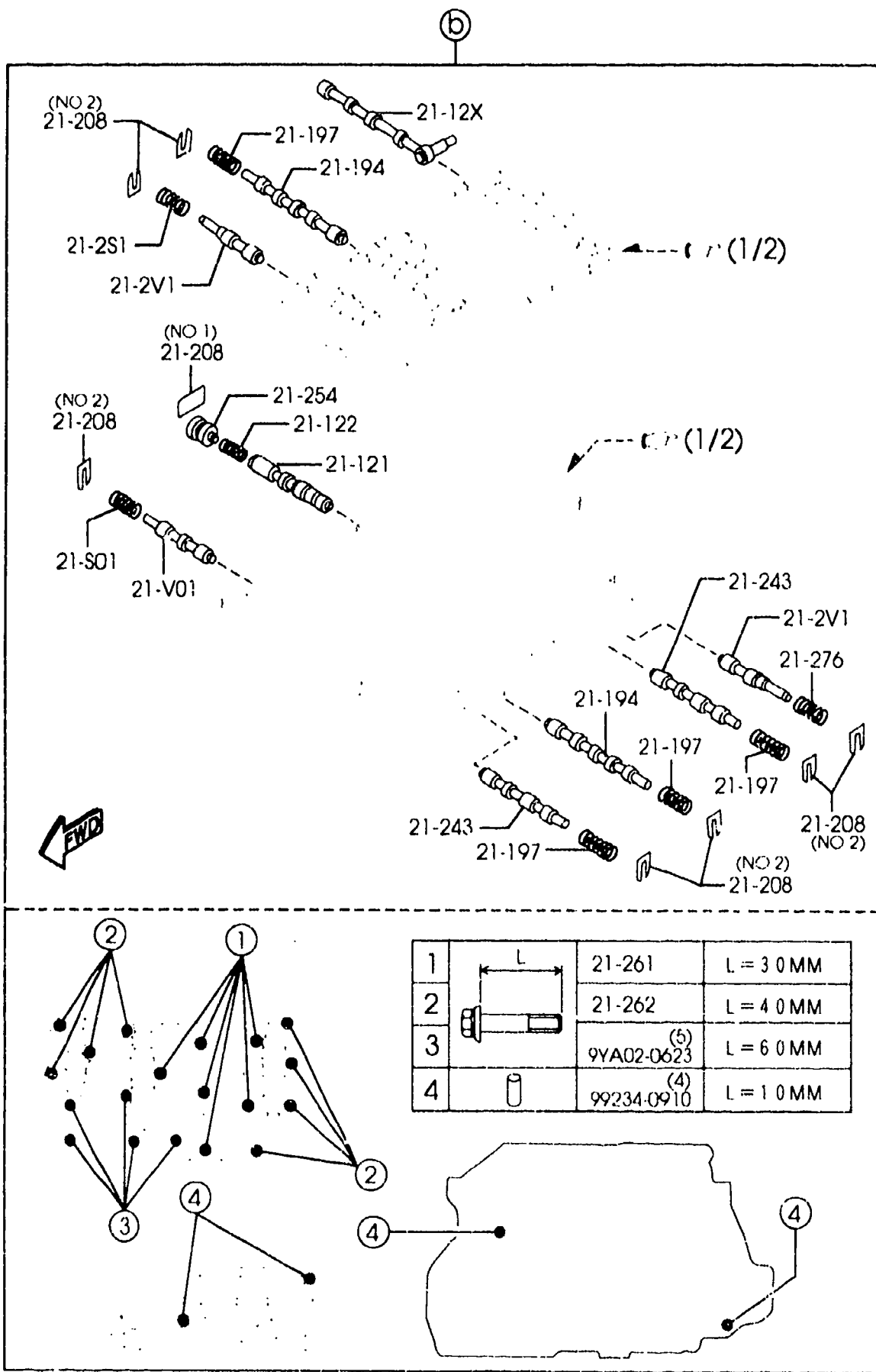
NOTE
 (a) (b) > 19-750
 THE D CODE OF 19-750 CONSISTS OF
 FIGURE NUMBERS (a) THROUGH (b)



1		21-261	L=3.0MM
2		21-262	L=4.0MM
3		(5) .YA02-0623	L=6.0MM
4		(4) 99234-0910	L=1.0MM

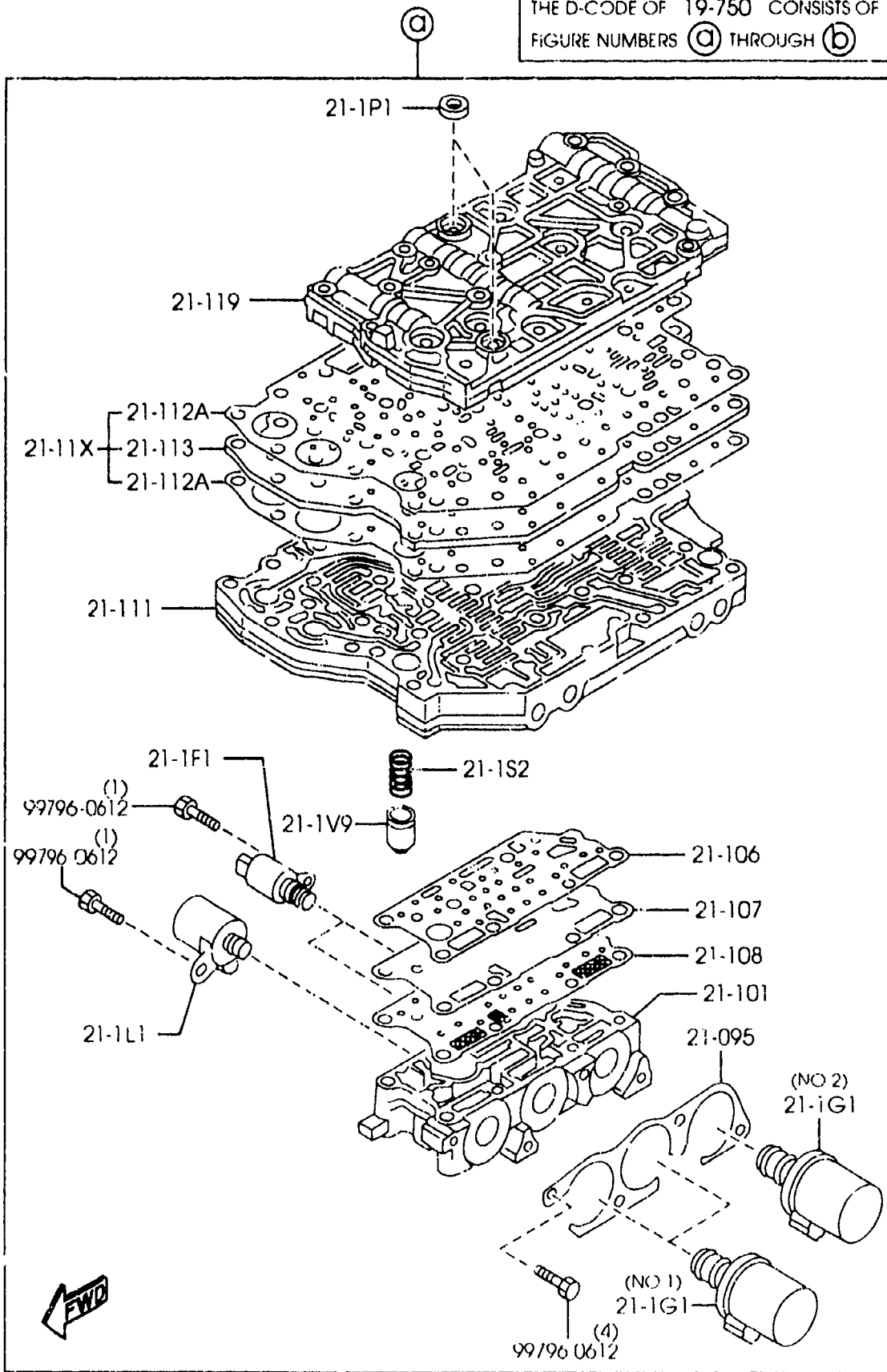


PART NO.	QTY	MODEL/RESTRICTION	MODEL/RESTRICTION	MODEL/RESTRICTION	FROM-TO
19-750		VALVE, CONTROL	SOUPAPE, CONTROLE		-1401
FN11-21-100E AN(FN11-21-100F)	1				1401-
FN11-21-100F	1				
21-501		SPRING, SOLENOID-SHIFT	RESSORT, SOLENOIDE-CHANGE.		
FN01-21-501	1				
21-V01		VALVE, SOLENOID-SHIFT	SOUPAPE, SOLENOIDE-CHANGE.		
FN01-21-V01	1				
21-095		BRACKET	SUPPORT		
FN01-21-095	1				
21-1F1		VALVE, SOLENOID	SOUPAPE DE SOLENOID		
FN01-21-1F1	2				
21-1G1		VALVE, DUTY SOLENOID	SOUPAPE, SOLENOID SERVICE		
FN01-21-1G1C	2 (ILLUST. NO.1)				
FN02-21-1G1	1 (ILLUST. NO.2)				
21-1L1		VALVE, SOLENOID-LINEAR	SOUPAPE, SOLENOIDE-LINEAIR		
FN01-21-1L1A	1				
21-1P1		GASKET	JOINT		
FN01-21-1P1	2				
21-1S2		SPRING	RESSORT		
FN11-21-1S2	1				
21-1V9		VALVE, ACCUM	RESSORT, ACCUM		
FN11-21-1V9	1				
21-101		BODY, FRONT	CARROSSERIE, AV		
FN01-21-101A	1				
21-106		GASKET	JOINT		
FN01-21-106	1				
21-107		PLATE	PLAQUE		
FN01-21-107	1				
1401 BJ22* -452569					



PART NO.	QTY	MODEL/RESTRICTION	MODEL/RESTRICTION	MODEL/RESTRICTION	FROM-TO
21-108		GASKET	JOINT		
FN01-21-108	1				
21-11X		PLATE, SEAL	LAME, ETANCHEITE		-1401
FN11-21-11X AN(FN11-21-11XA)	1				
FN11-21-11XA	1				1401-
21-111		BODY, MAIN CONTROL	CORPS, COMMANDE PRINCIPAL		
FN11-21-111	1				
21-112A		GASKET	JOINT		
FN02-21-112	2				
21-113		PLATE	PLAQUE		-1401
FN02-21-113 AN(FN02-21-113A)	1				
FN02-21-113A	1				1401-
21-119		BODY, UPPER-CONTROL	CORPS, SUP-REGLAGE		
FN01-21-119	1				
21-12X		VALVE, MANUAL	SOUPAPE, MANUEL		
FN11-21-12X	1				
21-121		VALVE	SOUPAPE		-1401
FN01-21-121 AN(FN01-21-121A)	1				
FN01-21-121A	1				1401-
21-122		SPRING	RESSORT		
FN01-21-122	1				
21-194		VALVE, BY-PASS	SOUPAPE, BY-PASS		
FN01-21-194	2				
21-197		SPRING, BY-PASS	RESSORT, BY-PASS		
FN01-21-197	4				
21-2S1		SPRING, ACCUM 2-3	RESSORT, ACCUM 2&3		
FN01-21-2S1	1				
1401 BJ22* -452569					

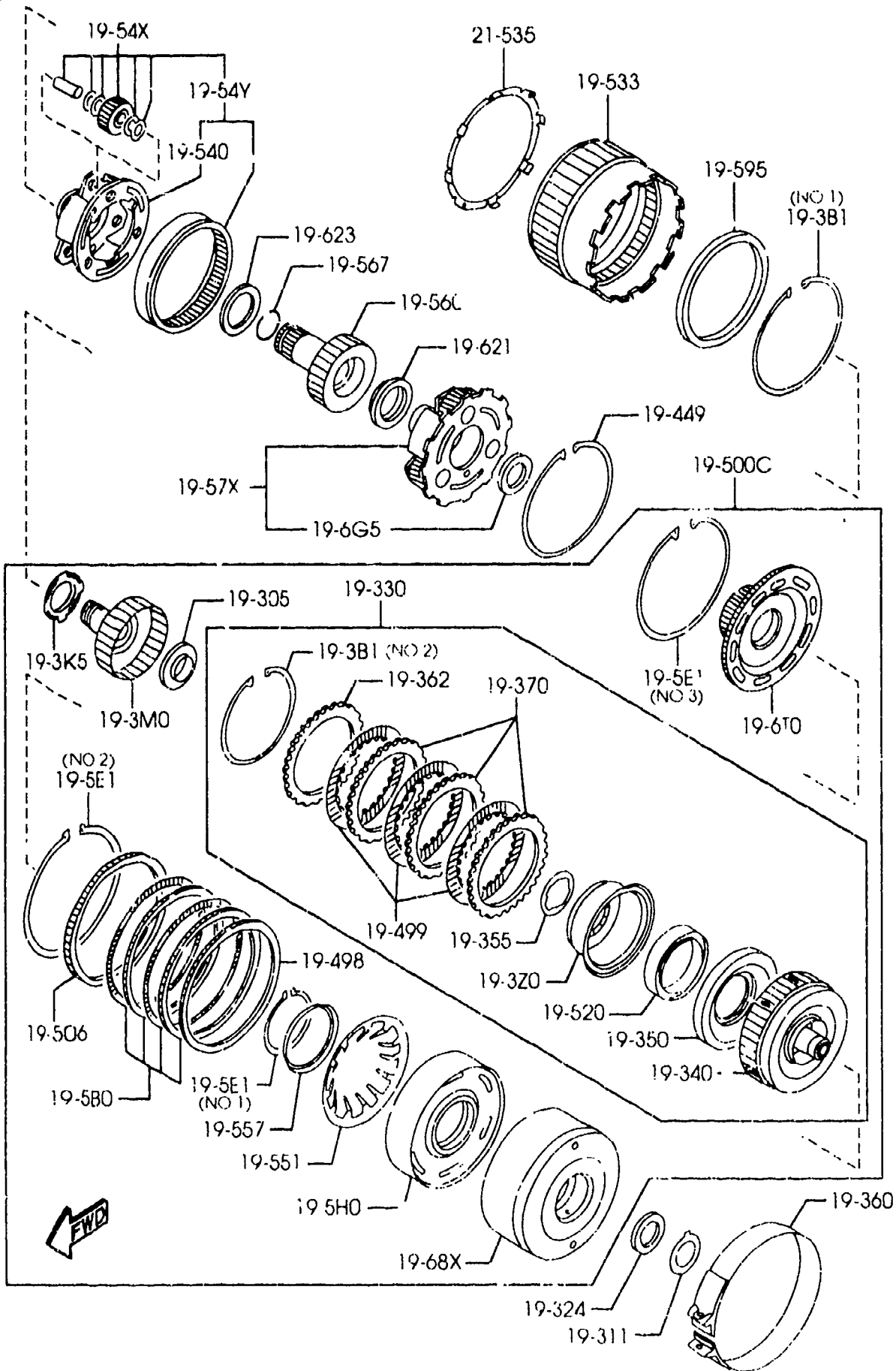
NOTE
 (a) ... (b) ⇒ 19-750
 THE D-CODE OF 19-750 CONSISTS OF
 FIGURE NUMBERS (a) THROUGH (b)



PART NO.	QTY	MODEL/RESTRICTION	MODEL/RESTRICTION	MODEL/RESTRICTION	FROM-TO
21-2V1 FN11-21-2V1	2	VALVE, SOLENOID	SOUPAPE DE SOLENOID		
21-208 FN01-21-208	1	RETAINER, VALVE SPRING (ILLUST. NO. 1)	ARRET, RESSORT SOUPAPE		
21-208D FU01-21-208D	7	(ILLUST. NO. 2)			
21-243 FN01-21-243	2	VALVE, 3RD LOCK UP	SOUPAPE, 3EME VERROU.		
21-254 FN07-21-254	1	PLUG, STOPPER	FICHE, OBTURATEUR		
21-261 FU61-21-261	6	BOLT	BOULON		
21-262 FU61-21-262	8	BOLT	BOULON		
21-276 FN01-21-276	1	SPRING, RELIEF	RESSORT, DETENTE		

1930A AUTOMATIC TRANSMISSION CLUTCHES & PLANETARY GEARS

1930A -1 AUTOMATIC TRANSMISSION CLUTCHES & PLANETARY GEARS



PART NO.	QTY	MODEL/RESTRICTION	MODEL/RESTRICTION	MODEL/RESTRICTION	FROM-10
19-3A1		RING, SNAP	CALE		
FN11-19-3B1	1	T=1.4MM (ILLUST. NO.1)	T=1.4MM		
FN11-19-3B1	1	T=1.4MM (ILLUST. NO.2)	T=1.4MM		
FN11-19-3B2	1	T=1.6MM (ILLUST. NO.2)	T=1.6MM		
FN11-19-3B3	1	T=1.8MM (ILLUST. NO.2)	T=1.8MM		
FN11-19-3B4	1	T=2.0MM (ILLUST. NO.2)	T=2.0MM		
FN11-19-3B5	1	T=2.2MM (ILLUST. NO.2)	T=2.2MM		
FN11-19-3B6	1	T=1.2MM (ILLUST. NO.2)	T=1.2MM		
19-3K5		BEARING, NEEDLE THRU	PALIER, BUTEE AIGUILLE		
FN11-19-3K5	1				
19-3M0		HUB, CLUCH-3/4	MOYEU, EMBRAYAGE-3/4		
FN11-19-3M0B	1				-1701
*FN11-19-3M0C	1				1701-
19-3Z0		PLATE, SEAL-3/4	LAME, ETANCHEITE-3/4		
FN11-19-3Z0	1				
19-305		BEARING, NEEDLE	PALIER, BUTEE AIGUILLE		
FN11-19-305	1				
19-311		RACE, BEARING	JORGE, POULEMENT		
FN11-19-311	1	T=1.8MM	T=1.8MM		
FN11-19-312	1	T=2.0MM	T=2.0MM		
FN11-19-313	1	T=2.2MM	T=2.2MM		
FN11-19-314	1	T=2.4MM	T=2.4MM		
FN11-19-315	1	T=2.6MM	T=2.6MM		
19-324		BEARING, NEEDLE	PALIER, BUTEE AIGUILLE		
FN11-19-324	1				
1701 BJ22* -493151					

AUBA09

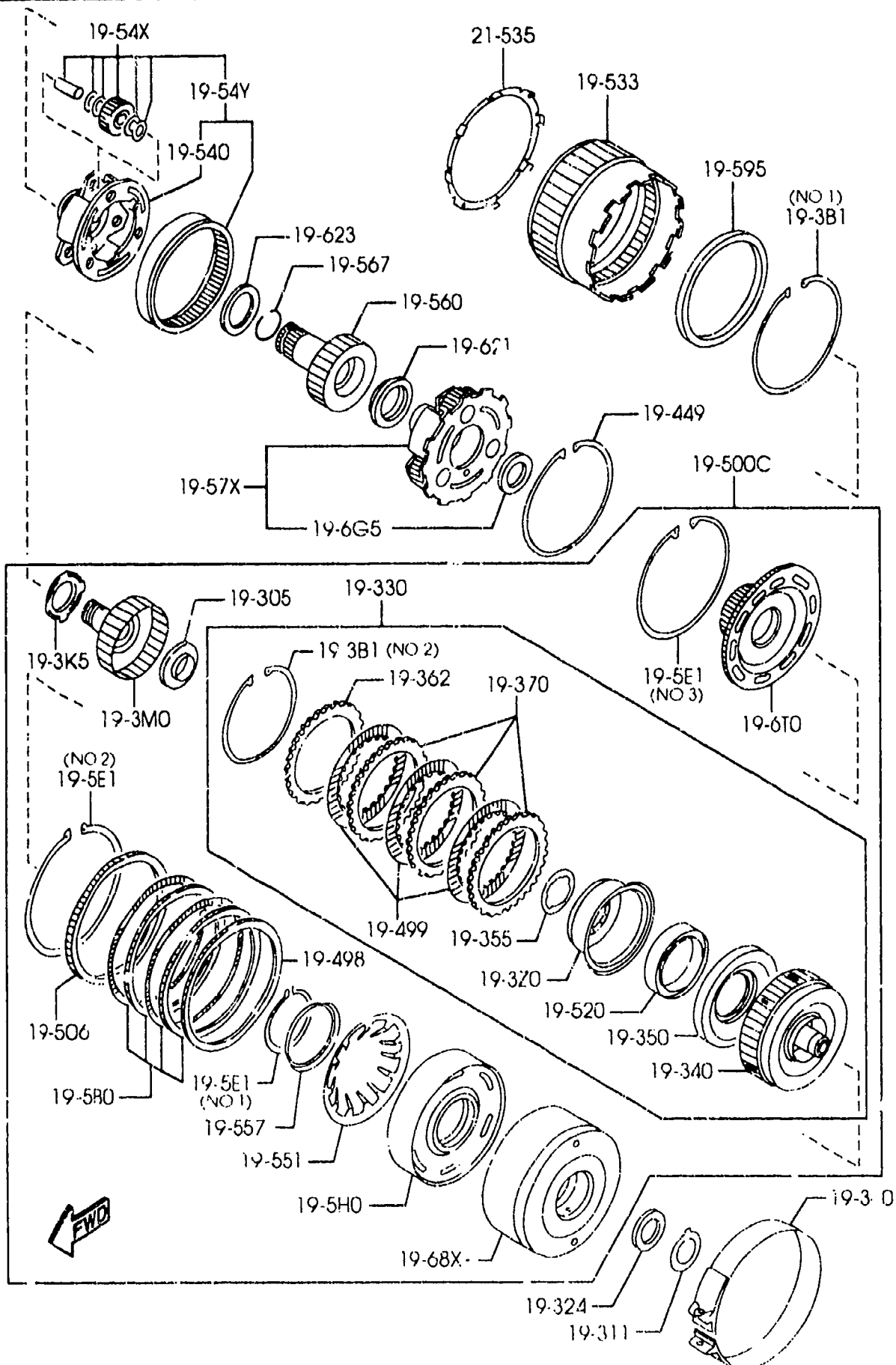
(2B41600)

CAT. AUBA09-02

2001-07

1930A AUTOMATIC TRANSMISSION CLUTCHES & PLANETARY GEARS

1930A -2 AUTOMATIC TRANSMISSION CLUTCHES & PLANETARY GEARS



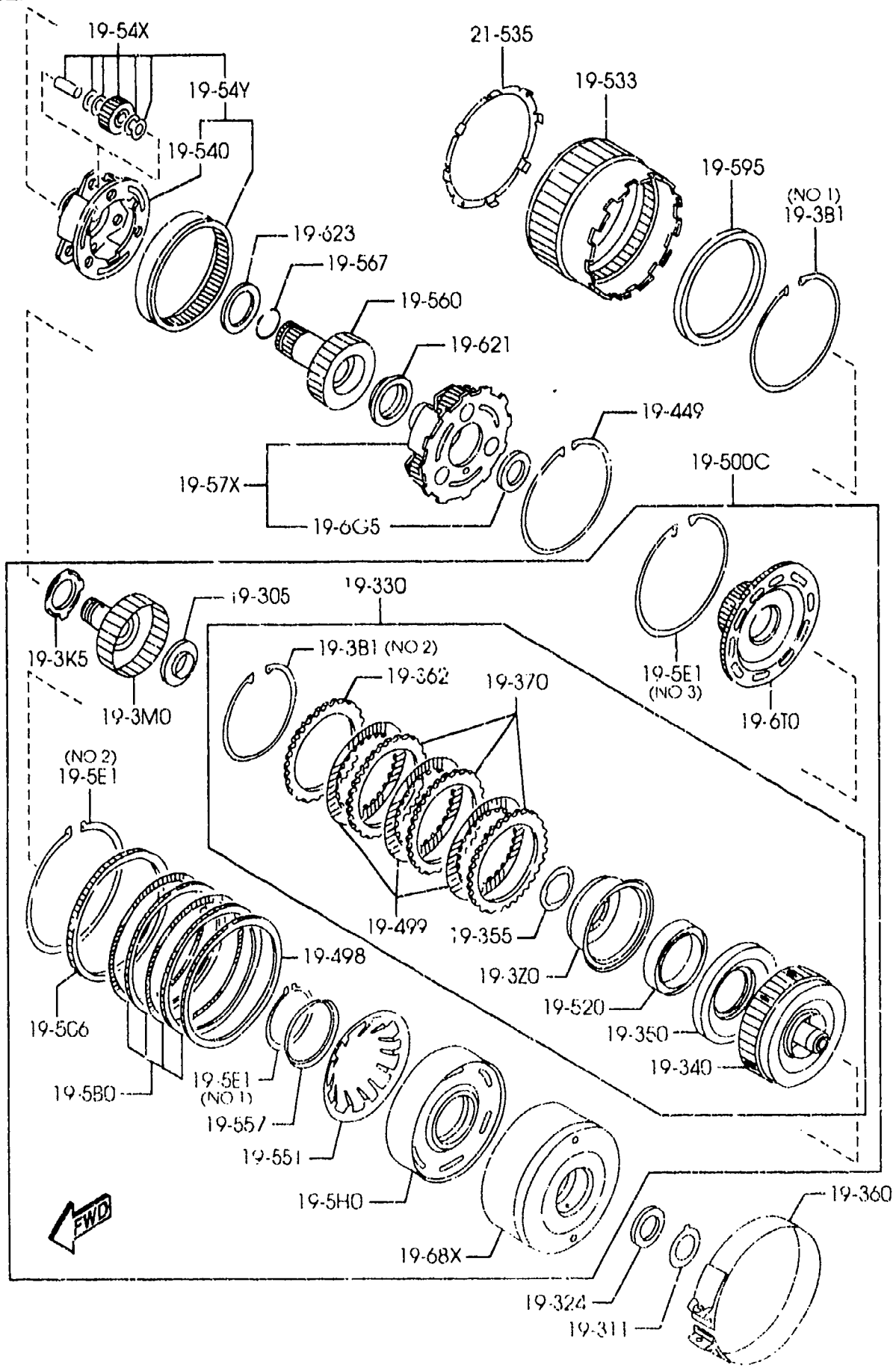
PART NO	QTY	MODEL/RESTRICTION	MODEL/RESTRICTION	MODEL/RESTRICTION	FROM-TO
19-330	1	CLUTCH, 3RD & 4TH	EMBAYAGE, 3E. 4E		
FN11-19-330D	1				
19-340	1	DRUM, 3RD & 4TH CLUTCH	TAMBOUR, EMBAYAGE 3E ET 4E		
FN11-19-340B	1				
19-350	1	PISTON, 3RD & 4TH CLUTCH	PISTON, EMBAYAGE 3E ET 4E		
FN01-19-350B	1				
19-355	1	RING, SNAP	BAQUE, RESSORT		
FN11-19-355	1				
19-360	1	BAND, BRAKE	COLLIER DE SERRAGE		
FN01-21-310A	1				
19-362	1	PLATE, RETAINING MICRO TEKUNO	PLAQUE, RETENUE MICRO TEKUNO		
FN11-19-362A	1				
19-370	3	PLATE, DRIVE	PLAQUE, COMMANDE		
FN11-19-370	3				
19-449	1	RING, SNAP	CALE		
FN11-19-30d	1				
19-498	1	PLATE, DISHED	RONDELLE BOMBEE		
FN11-19-544	1				
19-499	3	PLATE, DRIVEN	DISQUE EXT., BTE AUTOM.		
FN01-19-334	3				
19-580	1	CLUTCH, REVERSE	EMBAYAGE, INVERSE		
FN01-19-5JX	1				
FN21-19-5JX	1				
19-5E1	1	RING, SNAP	CALE		
FN11-19-411	1	T=1.0MM (ILLUST. NO.1)	T=1.0MM		
FN11-19-5E1	1	T=1.4MM (ILLUST. NO.2)	T=1.4MM		
FN11-19-5E2	1	T=1.6MM (ILLUST. NO.2)	T=1.6MM		

1401 BJ22* -452569

-1401
1401-

1930A AUTOMATIC TRANSMISSION CLUTCHES & PLANETARY GEARS

1930A -3 AUTOMATIC TRANSMISSION CLUTCHES & PLANETARY GEARS



PART NO.	QTY	MODEL/RESTRICTION	MODEL/RESTRICTION	MODEL/RESTRICTION	FROM-TO
CONT'D FN11-19-5E2	1	T=1.6MM (ILLUST. NO.3)	T=1.6MM		
FN11-19-5E3	1	T=1.8MM (ILLUST. NO.2)	T=1.8MM		
FN11-19-5E4	1	T=2.0MM (ILLUST. NO.2)	T=2.0MM		
FN11-19-5E5	1	T=2.2MM (ILLUST. NO.2)	T=2.2MM		
FN11-19-5E6	1	T=1.2MM (ILLUST. NO.2)	T=1.2MM		
FN11-19-5H0A	1	PISTON, REVERSE	PISTON, INVERSE		
FN11-19-500G	1	CLUTCH	EMBAYGE		-1701
*FN11-19-500H	1				1701-
FN11-19-5K2	1	PLATE, RETAINING	ARRETOIR		
FN11-19-520	1	RETAINER, SPRING-CLU. ONE W	ARRET, RESSORT-EMBAYGE I		
FN11-19-533B	1	GEAR, INTERNAL	ENGRENAGE INTERIEUR		
FN11-19-54XB	1	GEAR, PLANETARY	ENGRENAGE, PLANETAIRE		
FN11-19-54YB	1	CARRIER & RING	TRANSPORT. & BAGUE		
FN11-19-540B	1	CARRIER, FRONT	SUPPORT AV.		
FN11-19-551	1	SPRING, PISTON RETAIN ER	RESSORT, RETENUE PISTON		
FN11-19-557	1	STOPPER, REV. RETURN SPRING	OBTURATEUR, RESSORT I V-RT		
1701 BJ22* -493151					

AUBA05

(2B41600)

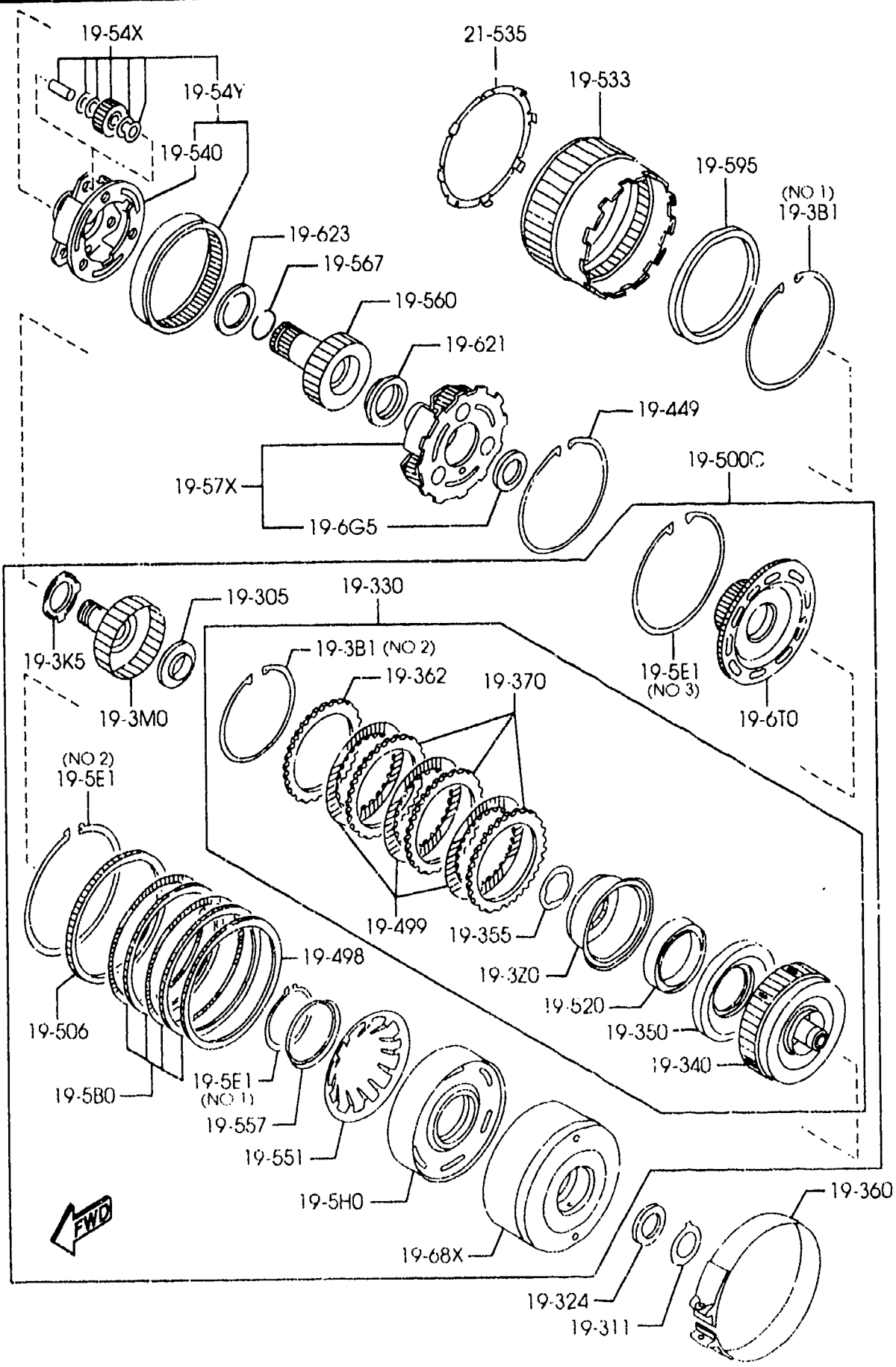
CAT. AUBA09 02

2001-07

1-N12

1930A AUTOMATIC TRANSMISSION CLUTCHES & PLANETARY GEARS

1930A -4 * AUTOMATIC TRANSMISSION CLUTCHES & PLANETARY GEARS



PART NO.	QTY	MODEL/RESTRICTION	MODEL/RESTRICTION	MODEL/RESTRICTION	FROM-TO
19-560		GEAR, SUN	PIGNON		
FN11-19-560A	1				
19-567		RING, SNAP	CALE		
FN01-19-567	1				
19-57X		CARRIER, PLANETARY	TRANSPORT., PLANETAIRE		-1701
FN11-19-57X	1				1701-
*FN11-19-57XA	1				
19-595		CLUTCH, ONE WAY	EMBRAYAGE		
FN01-19-4G0A	1				
19-6G5		BEARING, NEEDLE ROLLER	PALIER, BUTEE AIGUILLE		-1701
FN11-19-6G5	1				1701-
*FN11-19-6G5A	1				
19-6T0		GEAR, SUN	ENGRENAGE, SOLEIL		-1701
FN11-19-6T0B	1				1701-
*FN11-19-6T0C	1				
19-621		BEARING, NEEDLE	ROULEMENT		
FN11-19-304	1				
19-623		BEARING, NEEDLE	ROULEMENT		
FN11-19-307	1				
19-68X		DRUM, BRAKE-2/4	TAMBOUR, FREIN-2/4		
FN11-19-68XA	1				
21-535		RETAINER, ONE WAY CLUTCH	RETENUE, EMBRAY. SENS UNTO		
FN01-19-4G8	1				
1/01 BJ22* -493151					

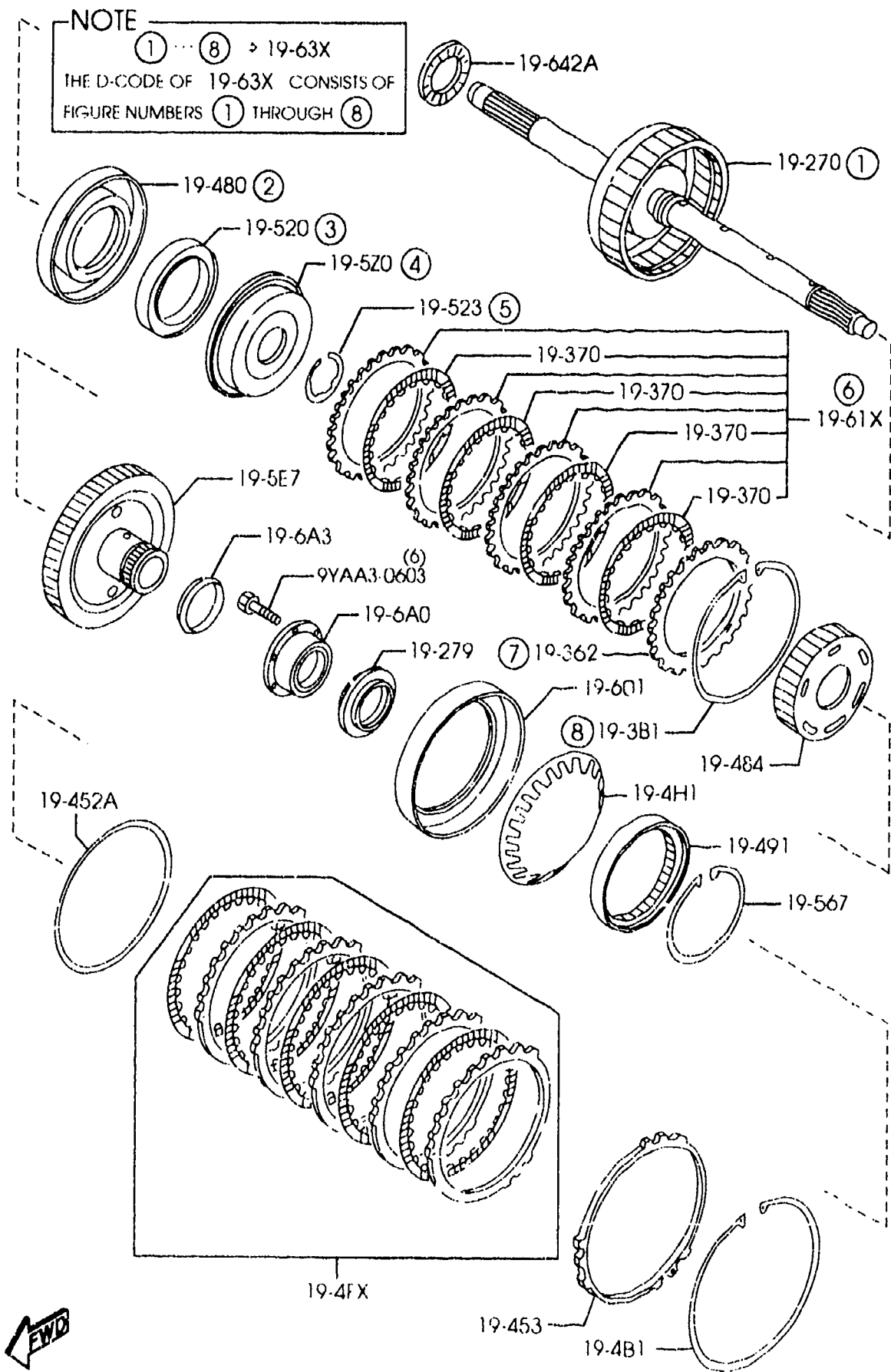
AUBA09

(2B41600)

CAT. AUBA09-02

2001-07

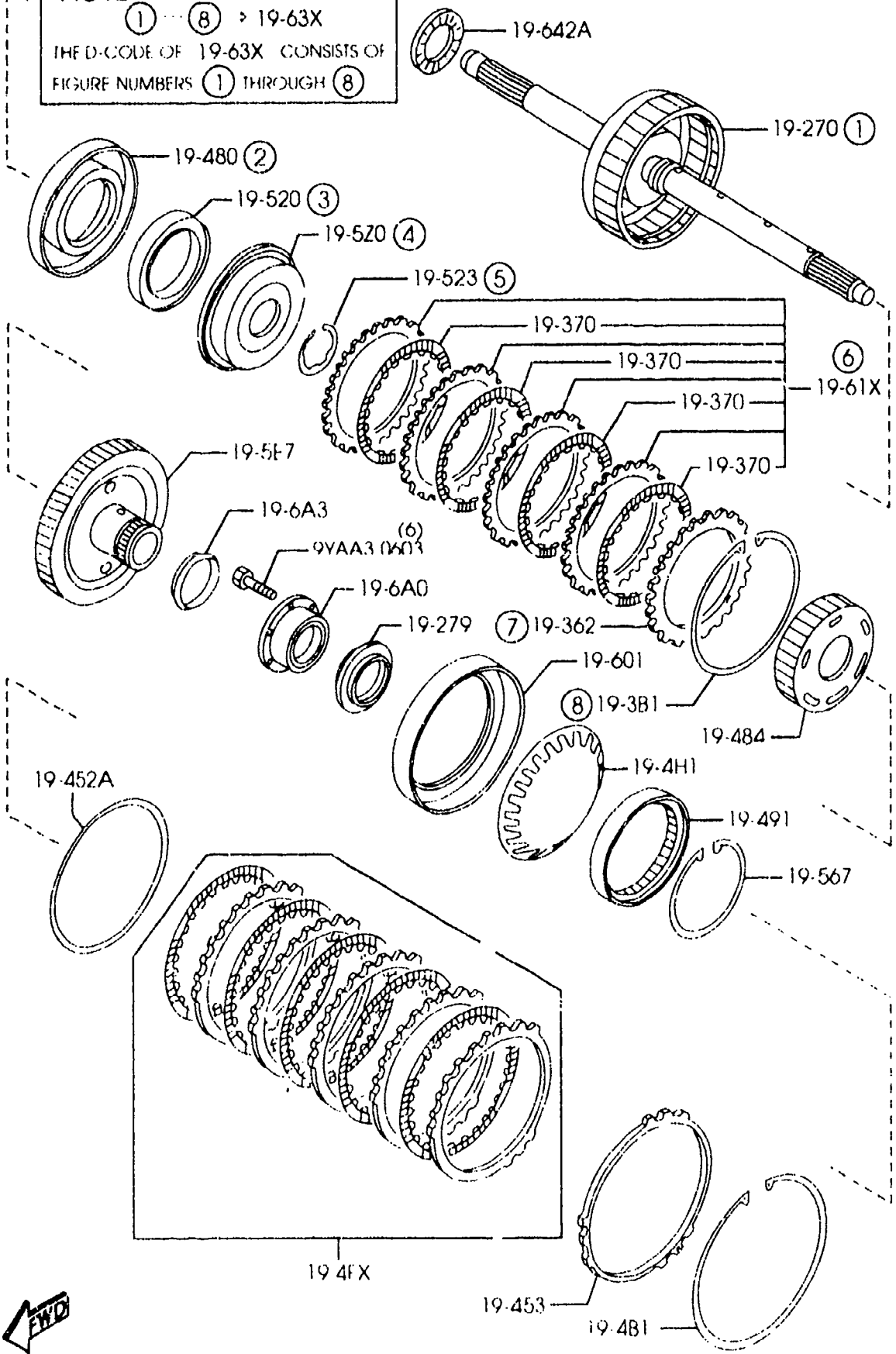
1-C13



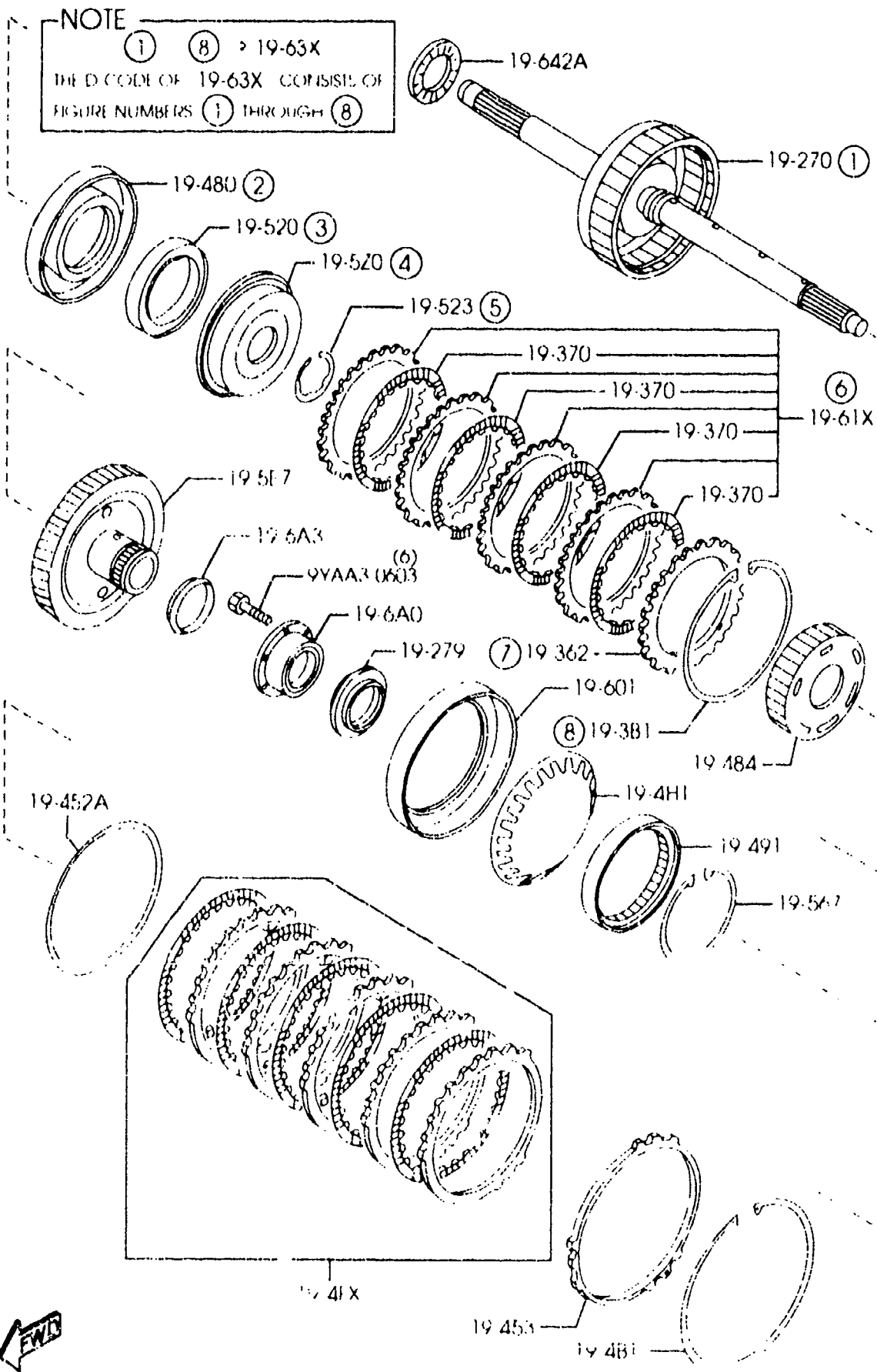
PART NO.	QTY	MODEL/RESTRICTION	MODEL/RESTRICTION	MODEL/RESTRICTION	FROM-TO
19-270	1	SHAFT, TURBINE	ARBRE, TURBINE		-1901
FN11-19-270C A (FN11-19-270D)	1				1901-
*FN11-19-270D	1				
19-279	1	NUT, LOCK	ECROU, VERROUILLAGE		
FN02-19-279	1				
19-381	1	RING, SNAP	CALE		
FN11-19-381	1	T=1.4MM	T=1.4MM		
FN11-19-382	1	T=1.6MM	T=1.6MM		
FN11-19-383	1	T=1.8MM	T=1.8MM		
FN11-19-384	1	T=2.0MM	T=2.0MM		
FN11-19-385	1	T=2.2MM	T=2.2MM		
FN11-19-386	1	T=1.2MM	T=1.2MM		
19-362	1	PLATE, RETAINING	PLAQUE, RETENUE		
FN11-19-362A	1	MICRO TEKUNO	MICRO TEKUNO		
19-370	4	PLATE, DRIVE	PLAQUE, COMMANDE		
FN11-19-370	4				
19-481	1	RING, SNAP	CALE		
FN11-19-481A	1	T=2.0MM	T=2.0MM		
FN11-19-482A	1	T=2.2MM	T=2.2MM		
FN11-19-483A	1	T=2.4MM	T=2.4MM		
FN11-19-484A	1	T=2.6MM	T=2.6MM		
FN11-19-485A	1	T=2.8MM	T=2.8MM		
FN11-19-486A	1	T=3.0MM	T=3.0MM		
FN11-19-487A	1	T=1.8MM	T=1.8MM		



NOTE
 ① - ⑧ - 19-63X
 THE D-CODE OF 19-63X CONSISTS OF
 FIGURE NUMBERS ① THROUGH ⑧



PART NO.	QTY	MODEL/RESTRICTION	MODEL/RESTRICTION	MODEL/RESTRICTION	FROM-TO
19-4FX		CLUTCH, PACK-LOW & RE W	EMB., PAQUET-INF, & INV.		-1401
FN01-19-4FX	1				1401-
FN21-19-4FX	1				
19-4H1		SPRING, RETURN-LOW & REV	RESSORT, RAPPEL-INF INV.		
FN01-19-4H1A	1				
19-452A		PLATE, DISH	TOLE, ONDULEE		
FN11-19-452	1				
19-453		PLATE, RETAINING	PLAQUE, COMMANDE		
FN11-19-453	1				
19-480		PISTON, CLUTCH	PISTON, CYLINDRE EMBRAYAGE		
FN01-19-5P0C	1				
19-484		HUB, FORWARD CLUTCH	MOYEU, EMBRAY DE MARCHE AV		
FN11-19-4M1A	1				
19-491		RACE, INNER	BAGUE, INTERIEURE		
FN01-19-491	1				
19-5E7		GEAR, PRIMARY	ENGRENAGE, PRIMAIRE		
FN11-19-5E7F	1				
19-520		PLATE, SEAL FORWARD	PLAQUE, JOINT AVANCE		
FN11-19-520	1				
19-520		RETAINER, SPRING-CLUTCH ONE W	ARRET, RESSORT-EMBAYAGE I		
FN11-19-520	1				
19-523		RING, SNAP	CALE		
FN11-19-523A	1				
19-567		RING, SNAP	CALE		
FN11-19-631	1	T=1.0MM	T=1.0MM		
19-6A0		PEARING, ROLLER	ROULEMENT, ROULEAU CONIQUE		
FN12-19-6A0	1				
1401 BJ22* -452569					



PART NO	QTY	MODEL/RESTRICTION	MODEL/RESTRICTION	MODEL/RESTRICTION	FROM-TO
19-6A3 FN11-19-6A3	1	BOLT, GOVERNOR NO.1	BOULON, REGULATEUR NO.1		
19-601 FN01-19-438	1	PISTON, LOW & REVERSE	PISTON IERE & MARCHE ARR		
19-61X FN11-19-61X FN21-19-61X	1	CLUCH, PACK FORWARD	EMBAYAGE, PAQUET AVANCE		-1401 1401-
19-63X FN11-19-63XE A (FN11-19-63XF) *FN11-19-63XF	1	CLUTCH, FORWARD	EMBAYAGE, AVANCE		-1901 1901-
19-642A FN01-19-5F2	1	WASHER, THRUST	RONDELLE, BUTEE		
1401 BJ22* -452569					

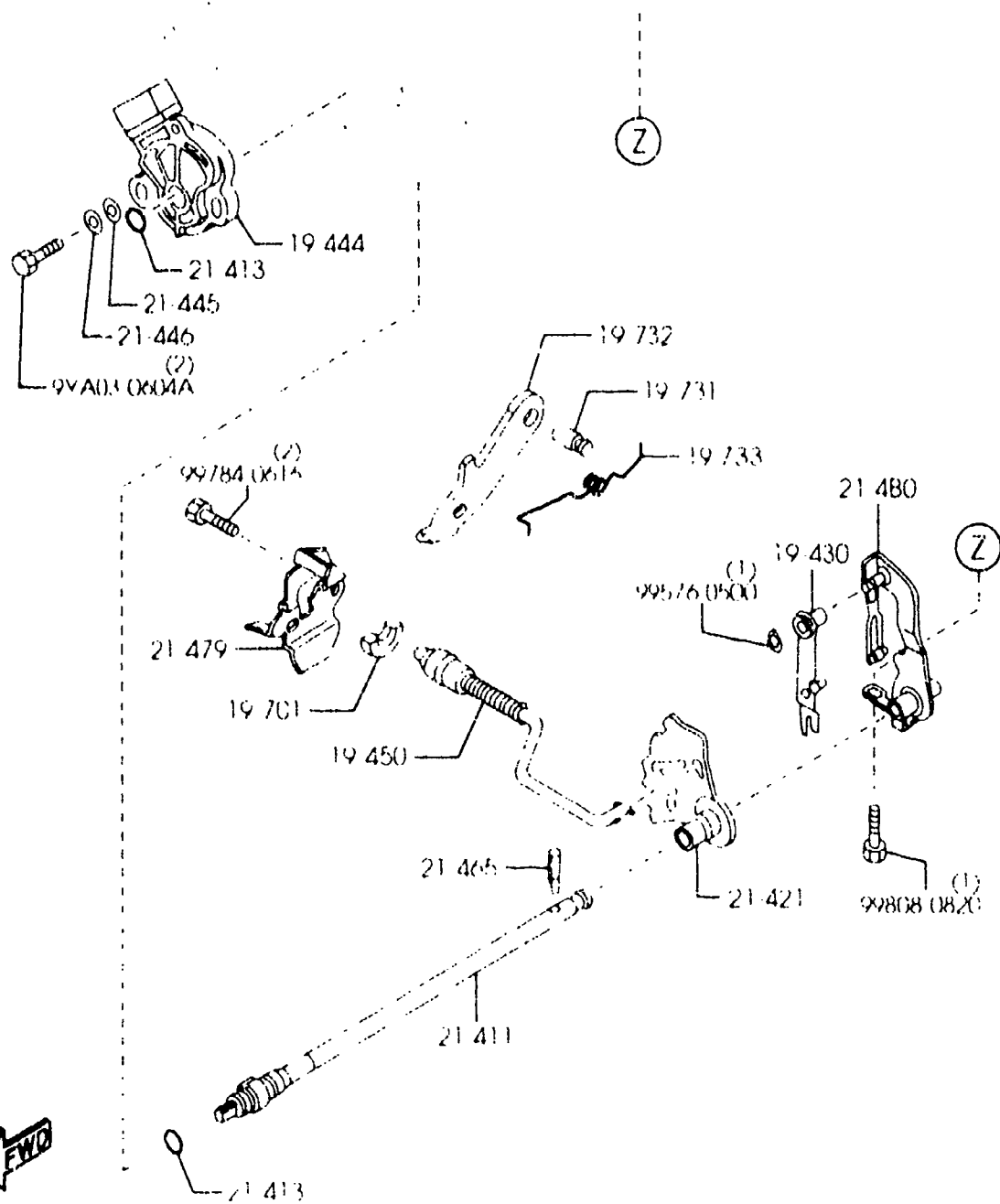


AUBA09

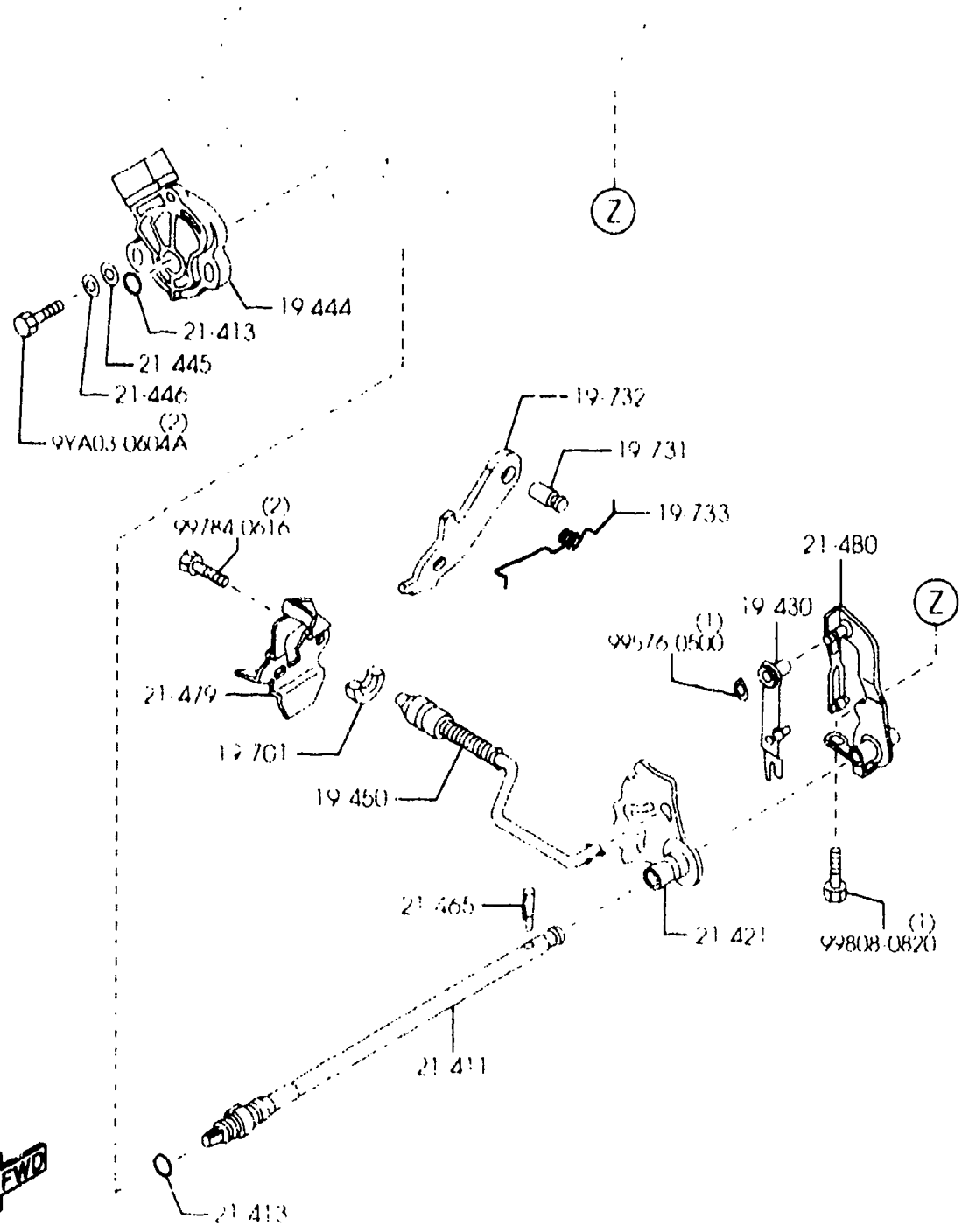
(2B59820)

CAT. AUBA09-02

2001-07



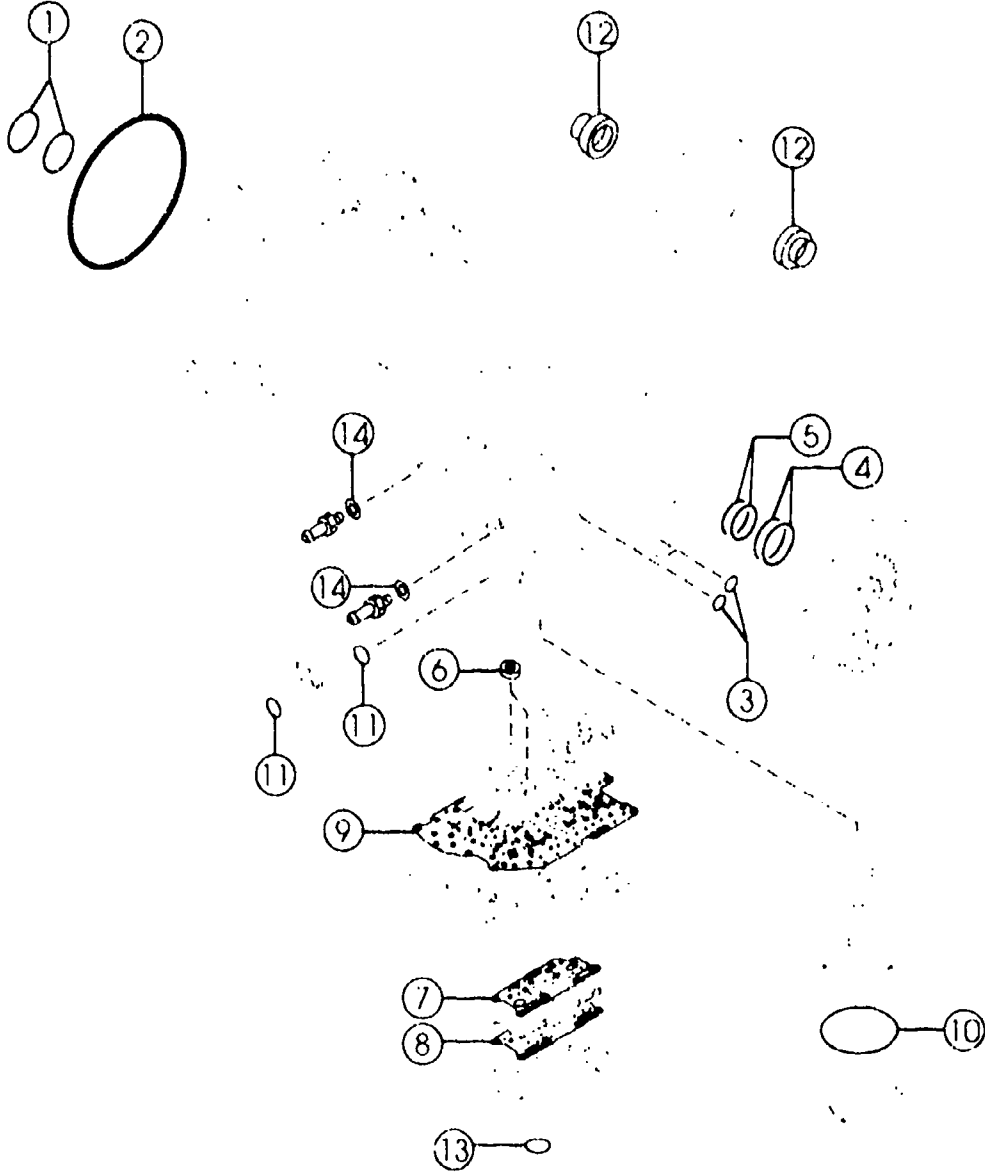
PART NO.	QTY	MODEL/RESTRICTION	MODEL/RESTRICTION	MODEL/RESTRICTION	FROM-TO
19-430 FN11-21-480	1	LEVER, PARKING	LEVIER DE STATIONNEMENT		
19-444 FN01-21-444	1	SWITCH, INHIBITOR MATSUSHITA (SUPPLIER IN SELECTION)	RELAIS MATSUSHITA		
19-444 FN11-21-444	1	YUSHIN (SUPPLIER IN SELECTION)	YUSHIN		
19-450 FN11-21-460A	1	ROD, PARKING	TIGE, FREIN AMAIN		
19-701 FN11-21-471A	1	SUPPORTER, ACTUATOR	SUPPORT, COMMANDE		
19-731 FN11-21-472	1	SHAFT, PARKING PAWL	CALE, LINGUET PARKING		
19-732 FN11-21-473C	1	PAWL, PARKING	CLIQUET, PARKING		
19-733 FN11-21-474A	1	SPRING, PAWL RETURN	RESSORT, LINGUET RAPPEL		
21-480 FN11-21-480	1	BRACKET, DETENT	CONSOLE, DETENTE		
21-411 FN11-21-411A	1	SHAFT, MANUAL	ARBRE, MANUEL		
21-413 FU01-21-413	2	SEAL, O-RING-M. SHAFT LWR	ETANCHE, JOINT TORIQUE		
21-421 FN11-21-421C	1	PLATE, MANUAL	PLAQUE, MANUEL		
21-445 FU01-21-445A	2	WASHER, PLAIN-INHIBITOR SW	LAVEUR, INTERUPT. INHIBIT.		
21-446		WASHER, DISHED	RONDELLE, EMBOUTI-INTER.		



PART NO	QTY	MODIF/RESTRICTION	MODEL/RESTRICTION	MODEL/RESTRICTION	FROM-TO
CONT'D FU01-21-446A	2				
21-465		PIN, SPRING-PARKING ROD	AXE DE RESSORT		
FN11-21-465	1				
21-479		PLATE, ACTUATOR	PLAQUE, ACTUATOR		
FN11-21-479B	1				

22-900

- 1-RING, SEAL.....2
- 2-RING, SEAL.....1
- 3-RING, 'O'.....3
- 4-RING, SEAL.....2
- 5-RING, SEAL.....2
- 6-GASKET.....2
- 7-GASKET.....1
- 8-GASKET.....1
- 9-PLATE, SEAL.....1
- 10-SEAL, 'O' RING.....1
- 11-SEAL, 'O' RING-M. SAFT LWR.....2
- 12-SEAL, OIL.....2
- 13-RING, 'O'.....1
- 14-PACKING.....2



PART NO	QTY	MODEL/RESTRICTION	MODEL/RESTRICTION	MODEL/RESTRICTION	FROM-TO
22-900		GASKET & SEAL KIT	POCHETTE, JOINTS		
FN11-22-900	1				